

Service Manual



**TDS7000 Series
Digital Phosphor Oscilloscopes
(TDS7404)**

**CSA7000B Series
Communication Signal Analyzers &
TDS7000B Series
Digital Phosphor Oscilloscopes
(CSA7404B, TDS7704B, TDS7404B,
TDS7254B, & TDS7154B)**

071-1227-02

This document applies to firmware version 3.0.0 and above.

Warning

The servicing instructions are for use by qualified personnel only. To avoid personal injury, do not perform any servicing unless you are qualified to do so. Refer to all safety summaries prior to performing service.

www.tektronix.com

Copyright © Tektronix, Inc. All rights reserved. Licensed software products are owned by Tektronix or its subsidiaries or suppliers, and are protected by national copyright laws and international treaty provisions.

Tektronix products are covered by U.S. and foreign patents, issued and pending. Information in this publication supercedes that in all previously published material. Specifications and price change privileges reserved.

TEKTRONIX and TEK are registered trademarks of Tektronix, Inc.

Contacting Tektronix

Tektronix, Inc.
14200 SW Karl Braun Drive
P.O. Box 500
Beaverton, OR 97077
USA

For product information, sales, service, and technical support:

- In North America, call 1-800-833-9200.
- Worldwide, visit www.tektronix.com to find contacts in your area.

Warranty 2

Tektronix warrants that this product will be free from defects in materials and workmanship for a period of one (1) year from the date of shipment. If any such product proves defective during this warranty period, Tektronix, at its option, either will repair the defective product without charge for parts and labor, or will provide a replacement in exchange for the defective product. Parts, modules and replacement products used by Tektronix for warranty work may be new or reconditioned to like new performance. All replaced parts, modules and products become the property of Tektronix.

In order to obtain service under this warranty, Customer must notify Tektronix of the defect before the expiration of the warranty period and make suitable arrangements for the performance of service. Customer shall be responsible for packaging and shipping the defective product to the service center designated by Tektronix, with shipping charges prepaid. Tektronix shall pay for the return of the product to Customer if the shipment is to a location within the country in which the Tektronix service center is located. Customer shall be responsible for paying all shipping charges, duties, taxes, and any other charges for products returned to any other locations.

This warranty shall not apply to any defect, failure or damage caused by improper use or improper or inadequate maintenance and care. Tektronix shall not be obligated to furnish service under this warranty a) to repair damage resulting from attempts by personnel other than Tektronix representatives to install, repair or service the product; b) to repair damage resulting from improper use or connection to incompatible equipment; c) to repair any damage or malfunction caused by the use of non-Tektronix supplies; or d) to service a product that has been modified or integrated with other products when the effect of such modification or integration increases the time or difficulty of servicing the product.

THIS WARRANTY IS GIVEN BY TEKTRONIX WITH RESPECT TO THE PRODUCT IN LIEU OF ANY OTHER WARRANTIES, EXPRESS OR IMPLIED. TEKTRONIX AND ITS VENDORS DISCLAIM ANY IMPLIED WARRANTIES OF MERCHANTABILITY OR FITNESS FOR A PARTICULAR PURPOSE. TEKTRONIX' RESPONSIBILITY TO REPAIR OR REPLACE DEFECTIVE PRODUCTS IS THE SOLE AND EXCLUSIVE REMEDY PROVIDED TO THE CUSTOMER FOR BREACH OF THIS WARRANTY. TEKTRONIX AND ITS VENDORS WILL NOT BE LIABLE FOR ANY INDIRECT, SPECIAL, INCIDENTAL, OR CONSEQUENTIAL DAMAGES IRRESPECTIVE OF WHETHER TEKTRONIX OR THE VENDOR HAS ADVANCE NOTICE OF THE POSSIBILITY OF SUCH DAMAGES.

Table of Contents

General Safety Summary	xi
Service Safety Summary	xiii
Environmental Considerations	xv
Preface	xvii
Manual Structure	xvii
Manual Conventions	xvii
Related Documentation	xviii

Specifications

Product and Feature Description	1-2
Acquisition Features	1-2
Signal Processing Features	1-3
Display Features	1-3
Measurement Features	1-3
Trigger Features	1-4
Convenience Features	1-4
Specification Tables	1-5
Certifications and Compliances	1-28

Operating Information

Operating Information	2-1
Installation	2-1
Before You Start	2-1
Environmental Considerations	2-1
Connect the Peripherals	2-1
Power On the Instrument	2-4
Powering Off the Instrument	2-5
Software Installation	2-5
Operating Information	2-7
Back Up User Files	2-7
User Interface Map	2-7
Front Panel Controls Map	2-9
Front Panel I/O Map	2-10
Instrument Diagnostics	2-11
Signal Path Compensation	2-11
Using the Online Help	2-11

Theory of Operation

Theory of Operation	3-1
Logic Conventions	3-1
Module Overviews	3-1
Input Signal Path	3-1
Display Panel	3-2
Front Panel	3-2
Rear Panel	3-3
Low Voltage Power Supply	3-3
Fans	3-3

Performance Verification

Performance Verification	4-1
Conventions	4-2
Brief Procedures	4-5
Self Tests	4-5
Verify Internal Adjustment, Self Compensation, and Diagnostics	4-5
Functional Tests	4-6
Verify All Input Channels	4-7
Verify the Time Base	4-10
Verify the A (Main) and B (Delayed) Trigger Systems	4-12
Verify the File System	4-14
Performance Tests	4-17
Prerequisites	4-17
Equipment Required	4-18
CSA7000B & TDS7000B Test Record	4-21
Signal Acquisition System Checks	4-45
Check DC Voltage Measurement Accuracy	4-45
Check DC Gain Accuracy	4-49
Check Offset Accuracy	4-68
Check Maximum Input Voltage	4-73
Check Analog Bandwidth	4-77
Check Delay Between Channels	4-82
Check Channel Isolation (Crosstalk)	4-86
Check Input Impedance	4-90
Time Base System Checks	4-92
Check Long-Term Sample Rate and Delay Time Accuracy and Reference	4-92
Check Delta Time Measurement Accuracy	4-95
Trigger System Checks	4-98
Check Time Accuracy for Pulse, Glitch, Timeout, and Width Triggering	4-99
Check Sensitivity, Edge Trigger, DC Coupled	4-101
Output Signal Checks	4-106
Check Outputs — CH 3 Signal Out and Aux Trigger Out	4-107
Check Probe Compensation Output	4-110
Serial Trigger Checks (TDS7000B Series Option ST and CSA7000B Series Only)	4-114
Check Serial Trigger Baud Rate Limits and Word Recognizer Position Accuracy	4-114
Check Serial Trigger Clock Recovery Range	4-121
Optical-to-Electrical Converter Checks (CSA7000B Series Only)	4-125

Check Dark Level Calibration	4-125
Check Maximum Optical-to-Electrical Noise	4-127
Check Optical-to-Electrical Gain	4-129
Check Optical-to-Electrical System Bandwidth	4-131
Sine Wave Generator Leveling Procedure	4-137

Adjustment Procedure

Adjustment Procedures	5-1
Adjustment Interval	5-1
Adjustment After Repair	5-1
Adjustment	5-1

Maintenance

Maintenance	6-1
Preventing ESD	6-1
Inspection and Cleaning	6-2
General Care	6-2
Cleaning Optical Connectors	6-2
Interior Cleaning	6-3
Exterior Cleaning	6-4
Flat Panel Display Cleaning	6-4
Removal and Installation Procedures	6-9
Preparation	6-9
Procedures for External Modules	6-11
Procedures for Modules	6-23
Troubleshooting	6-65
Service Level	6-65
Check for Common Problems	6-65
Equipment Required	6-67
Fault Isolation Procedure	6-67
PPC and MicroATX PC Diagnostics	6-72
Software Updates	6-75
After Repair	6-75
BIOS Error Messages	6-76
BIOS Beep Codes	6-81
Dip Switch Controls	6-82
Diagnostic LED	6-83
Troubleshooting Using Reset Circuits	6-84
Update/Restore the MicroATX Board CMOS	6-86
Installing an Authorization Key	6-87
Hard Disk Drive Maintenance	6-87
Repackaging Instructions	6-89
Packaging	6-89
Shipping to the Service Center	6-89

Options

Options	7-1
Accessories	7-3

Electrical Parts List

Electrical Parts List	8-1
------------------------------------	------------

Diagrams

Symbols	9-1
---------------	-----

Mechanical Parts List

Parts Ordering Information	10-1
Module Servicing	10-1
Using the Replaceable Parts List	10-2
Abbreviations	10-2
Mfr. Code to Manufacturer Cross Index	10-2

List of Figures

Figure 2-1: Locations of peripheral connectors on rear panel	2-3
Figure 2-2: Line fuse and power cord connector locations, rear panel	2-4
Figure 2-3: On/Standby switch location	2-5
Figure 4-1: Toolbar and menu bar	4-3
Figure 4-2: Universal test hookup for functional tests - CH 1 shown	4-8
Figure 4-3: Channel button location	4-9
Figure 4-4: Setup for time base test	4-11
Figure 4-5: Setup for trigger test	4-13
Figure 4-6: Setup for the file system test	4-14
Figure 4-7: Initial test hookup	4-46
Figure 4-8: Measurement of DC accuracy at maximum offset and position	4-48
Figure 4-9: Initial test hookup	4-50
Figure 4-10: Measurement of DC gain accuracy	4-67
Figure 4-11: Initial test hookup	4-69
Figure 4-12: Measurement of offset accuracy	4-72
Figure 4-13: Initial test hookup	4-74
Figure 4-14: Check of maximum input voltage	4-76
Figure 4-15: Initial test hookup	4-78
Figure 4-16: Measurement of analog bandwidth	4-80
Figure 4-17: Initial test hookup	4-83
Figure 4-18: Measurement of channel delay	4-84
Figure 4-19: Initial test hookup	4-86
Figure 4-20: Initial test hookup	4-91
Figure 4-21: Initial test hookup	4-92
Figure 4-22: Initial test hookup	4-93
Figure 4-23: Final test hookup	4-94
Figure 4-24: Delta time accuracy test hookup	4-96
Figure 4-25: Initial test hookup	4-99
Figure 4-26: Measurement of time accuracy for pulse and glitch triggering	4-100
Figure 4-27: Initial test hookup	4-102
Figure 4-28: Measurement of trigger sensitivity - 50 MHz results shown	4-103

Figure 4-29: Initial test hookup	4-107
Figure 4-30: Measurement of trigger out limits	4-109
Figure 4-31: Initial test hookup	4-110
Figure 4-32: Measurement of probe compensator frequency	4-111
Figure 4-33: Subsequent test hookup	4-112
Figure 4-34: Measurement of probe compensator amplitude	4-113
Figure 4-35: Initial test hookup	4-114
Figure 4-36: Isolated 0 triggering	4-116
Figure 4-37: Isolated 1 triggering	4-118
Figure 4-38: N modulo 3 triggering	4-120
Figure 4-39: Initial test hookup	4-121
Figure 4-40: Clock recovery	4-124
Figure 4-41: Initial test hookup	4-125
Figure 4-42: Initial test hookup	4-127
Figure 4-43: Initial test hookup	4-129
Figure 4-44: Optical bandwidth hookup	4-134
Figure 4-45: Proper positioning of the impulse	4-135
Figure 4-46: Optical impulse response	4-136
Figure 4-47: Equipment setup for maximum amplitude	4-138
Figure 6-1: Line fuse and line cord removal	6-12
Figure 6-2: Knob removal	6-13
Figure 6-3: Trim removal	6-15
Figure 6-4: Bottom cover removal	6-16
Figure 6-5: Cover removal	6-18
Figure 6-6: Cover removal	6-19
Figure 6-7: External modules	6-20
Figure 6-8: Internal modules	6-21
Figure 6-9: Front-panel assembly removal	6-24
Figure 6-10: J1 flex cable connector removal	6-25
Figure 6-11: Front panel board and keyboard removal	6-26
Figure 6-12: Display removal	6-28
Figure 6-13: Touch panel and LCD assembly removal	6-29
Figure 6-14: Display adaptor board removal	6-30
Figure 6-15: Power flex circuit removal	6-31
Figure 6-16: Floppy disk drive assembly removal	6-32
Figure 6-17: Floppy disk drive removal	6-33
Figure 6-18: Hard disk drive removal	6-34
Figure 6-19: Separating the halves of the drive cartridge	6-34
Figure 6-20: Hard disk drive removal from cartridge	6-35

Figure 6-21: CD drive assembly removal	6-36
Figure 6-22: CD drive and bracket removal	6-37
Figure 6-23: Front and rear power distribution and PA bus boards removal	6-39
Figure 6-24: Low-voltage power supply removal	6-40
Figure 6-25: Micro ATX battery removal	6-41
Figure 6-26: Drive frame and ATX assembly removal	6-43
Figure 6-27: ATX assembly troubleshooting position	6-44
Figure 6-28: Cables	6-45
Figure 6-29: Micro ATX assembly removal	6-45
Figure 6-30: Cables	6-46
Figure 6-31: Micro ATX board removal	6-47
Figure 6-32: Microprocessor removal	6-49
Figure 6-33: Fan assembly removal	6-51
Figure 6-34: Processor board cables	6-53
Figure 6-35: PPC Processor board removal	6-54
Figure 6-36: Bridge board removal	6-55
Figure 6-37: Acquisition circuit board removal	6-57
Figure 6-38: Front panel combination assembly removal	6-58
Figure 6-39: TekConnect board and TekConnect bucket removal	6-59
Figure 6-40: Acquisition circuit board removal	6-62
Figure 6-41: Front panel combination assembly removal	6-63
Figure 6-42: TekConnect board and TekConnect bucket removal	6-64
Figure 6-43: Primary troubleshooting tree	6-68
Figure 6-44: Location of power-on and over current LEDs	6-69
Figure 6-45: Connectors J1 and J2	6-70
Figure 6-46: The three PCI busses	6-84
Figure 6-47: PCI and MicroATX video connectors	6-85
Figure 6-48: Location of jumpers and reset button	6-86
Figure 9-1: Instrument block diagram	9-2
Figure 10-1: External parts	10-7
Figure 10-2: Front panel and drives	10-10
Figure 10-3: Power supply	10-13
Figure 10-4: Acquisition assembly, CSA7000B Series	10-15
Figure 10-5: Acquisition assembly, TDS7000B Series	10-17
Figure 10-6: Accessories	10-18

List of Tables

Table 1-1: Instrument models	1-2
Table 1-2: Channel input and vertical specifications	1-5
Table 1-3: Horizontal and acquisition system specifications	1-11
Table 1-4: Trigger specifications	1-15
Table 1-5: Serial Trigger specifications (optional on TDS7000B Series)	1-19
Table 1-6: Display specifications	1-19
Table 1-7: Input/output port specifications	1-20
Table 1-8: O/E converter (CSA7000B Series only)	1-23
Table 1-9: Data storage specifications	1-25
Table 1-10: Power source specifications	1-25
Table 1-11: Mechanical specifications	1-26
Table 1-12: Environmental specifications	1-27
Table 2-1: Additional accessory connection information	2-2
Table 2-2: Line fuses	2-4
Table 4-1: Vertical settings	4-9
Table 4-2: Test equipment	4-18
Table 4-3: DC Voltage measurement accuracy	4-47
Table 4-4: Gain accuracy	4-51
Table 4-5: Offset accuracy	4-70
Table 4-6: Maximum input voltage limit	4-75
Table 4-7: Analog bandwidth	4-79
Table 4-8: Delay between channels worksheet	4-85
Table 4-9: Delta time measurement	4-98
Table 4-10: Serial pattern data	4-115
Table 4-11: Word recognizer data	4-117
Table 4-12: Clock recovery input frequencies and baud rates	4-123
Table 4-13: Dark level	4-126
Table 4-14: Optical noise limits	4-128
Table 4-15: O/E gain	4-130
Table 4-16: O/E system bandwidth	4-135
Table 6-1: External inspection check list	6-4
Table 6-2: Internal inspection check list	6-5
Table 6-3: Tools required for module removal	6-10

Table 6-4: Failure symptoms and possible causes	6-65
Table 6-5: Power supply voltages	6-70
Table 6-6: Power-on diagnostic tests	6-72
Table 6-7: Action required for module replaced	6-76
Table 6-8: BIOS Error messages	6-76
Table 6-9: POST codes	6-77
Table 6-10: Different bus routines upper-nibble high-byte functions	6-81
Table 6-11: Beep codes	6-81
Table 6-12: DIP switch functions	6-82
Table 6-13: Diagnostic LED	6-83
Table 7-1: Options	7-1
Table 7-2: Standard accessories	7-3
Table 7-3: Optional accessories	7-4

General Safety Summary

Review the following safety precautions to avoid injury and prevent damage to this product or any products connected to it.

To avoid potential hazards, use this product only as specified.

Only qualified personnel should perform service procedures.

While using this product, you may need to access other parts of a larger system. Read the safety sections of the other component manuals for warnings and cautions related to operating the system.

To Avoid Fire or Personal Injury

Use Proper Power Cord. Use only the power cord specified for this product and certified for the country of use.

Connect and Disconnect Properly. Do not connect or disconnect probes or test leads while they are connected to a voltage source.

Ground the Product. This product is grounded through the grounding conductor of the power cord. To avoid electric shock, the grounding conductor must be connected to earth ground. Before making connections to the input or output terminals of the product, ensure that the product is properly grounded.

Observe All Terminal Ratings. To avoid fire or shock hazard, observe all ratings and markings on the product. Consult the product manual for further ratings information before making connections to the product.

The inputs are not rated for connection to mains or Category II, III, or IV circuits.

Connect the probe reference lead to earth ground only.

Do not apply a potential to any terminal, including the common terminal, that exceeds the maximum rating of that terminal.

Power Disconnect. The power switch disconnects the product from the power source. See instructions for the location. Do not block the power switch; it must remain accessible to the user at all times.

Do Not Operate Without Covers. Do not operate this product with covers or panels removed.

Do Not Operate With Suspected Failures. If you suspect there is damage to this product, have it inspected by qualified service personnel.

Avoid Exposed Circuitry. Do not touch exposed connections and components when power is present.

Use Proper Fuse. Use only the fuse type and rating specified for this product.

Wear Eye Protection. Wear eye protection if exposure to high-intensity rays or laser radiation exists.

Do Not Operate in Wet/Damp Conditions.

Do Not Operate in an Explosive Atmosphere.

Keep Product Surfaces Clean and Dry.

Provide Proper Ventilation. Refer to the manual's installation instructions for details on installing the product so it has proper ventilation.

Terms in this Manual

These terms may appear in this manual:



WARNING. *Warning statements identify conditions or practices that could result in injury or loss of life.*



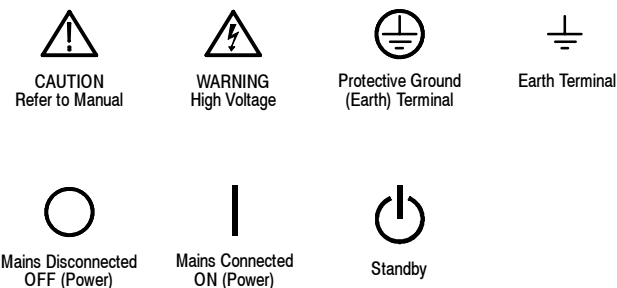
CAUTION. *Caution statements identify conditions or practices that could result in damage to this product or other property.*

Symbols and Terms on the Product

These terms may appear on the product:

- **DANGER** indicates an injury hazard immediately accessible as you read the marking.
- **WARNING** indicates an injury hazard not immediately accessible as you read the marking.
- **CAUTION** indicates a hazard to property including the product.

The following symbols may appear on the product:



Service Safety Summary

Only qualified personnel should perform service procedures. Read this *Service Safety Summary* and the *General Safety Summary* before performing any service procedures.

Do Not Service Alone. Do not perform internal service or adjustments of this product unless another person capable of rendering first aid and resuscitation is present.

Disconnect Power. To avoid electric shock, switch off the instrument power, then disconnect the power cord from the mains power.

Use Care When Servicing With Power On. Dangerous voltages or currents may exist in this product. Disconnect power, remove battery (if applicable), and disconnect test leads before removing protective panels, soldering, or replacing components.

To avoid electric shock, do not touch exposed connections.

Environmental Considerations

This section provides information about the environmental impact of the product.

Product End-of-Life Handling

Observe the following guidelines when recycling an instrument or component:

Equipment Recycling. Production of this equipment required the extraction and use of natural resources. The equipment may contain substances that could be harmful to the environment or human health if improperly handled at the product's end of life. In order to avoid release of such substances into the environment and to reduce the use of natural resources, we encourage you to recycle this product in an appropriate system that will ensure that most of the materials are reused or recycled appropriately.



The symbol shown to the left indicates that this product complies with the European Union's requirements according to Directive 2002/96/EC on waste electrical and electronic equipment (WEEE). For information about recycling options, check the Support/Service section of the Tektronix Web site (www.tektronix.com).

Mercury Notification. This product uses an LCD backlight lamp that contains mercury. Disposal may be regulated due to environmental considerations. Please contact your local authorities or, within the United States, the Electronics Industries Alliance (www.eiae.org) for disposal or recycling information.

Restriction of Hazardous Substances

This product has been classified as Monitoring and Control equipment, and is outside the scope of the 2002/95/EC RoHS Directive. This product is known to contain lead, cadmium, mercury, and hexavalent chromium.

Preface

This is the service manual for the CSA7000B Communications Signal Analyzer products and the TDS7000B Digital Oscilloscope products. Read this preface to learn how this manual is structured, what conventions it uses, and where you can find other information related to servicing this product. Read the *Introduction* following this preface for safety and other important background information needed before using this manual for servicing this product.

Manual Structure

This manual is divided into chapters, which are made up of related subordinate topics. These topics can be cross referenced as sections.

Be sure to read the introductions to all procedures. These introductions provide important information needed to do the service correctly, safely, and efficiently.

Manual Conventions

This manual uses certain conventions that you should become familiar with before attempting service.

Modules

Throughout this manual, any replaceable component, assembly, or part is referred to by the term *module*. A module is composed of electrical and mechanical assemblies, circuit cards, interconnecting cables, and user-accessible controls.

Replaceable Parts

This manual refers to any field-replaceable assembly or mechanical part specifically by its name or generically as a replaceable part. In general, a replaceable part is any circuit board or assembly, such as the hard disk drive, or a mechanical part, such as the I/O port connectors, that is listed in the replaceable parts list of Chapter 10.

Safety

Symbols and terms related to safety appear in the *General Safety Summary* found at the beginning of this manual.

Related Documentation

The following related manuals are available for this instrument:

- *CSA7000B & TDS7000B User manual*. Tektronix part number 071-1227-XX.
- *CSA7000B & TDS7000B Reference manual*. Tektronix part number 071-0880-XX.
- CSA7000, TDS7000, TLA600 & OTS9000 Series Rackmount Kit (Option 1R) Instructions. Tektronix part number 071-0716-XX.



Specifications

Specifications

This chapter contains the specifications for the CSA7000B Series Communications Signal Analyzers and the TDS7000B Series Digital Phosphor Oscilloscopes. All specifications are guaranteed unless labeled “typical.” Typical specifications are provided for your convenience but are not guaranteed. Specifications that are marked with the ✓ symbol are checked in chapter four, *Performance Verification*, of the service manual.

All specifications apply to all models unless noted otherwise. To meet specifications, the following conditions must be met:

- The instrument must have been calibrated in an ambient temperature between 20 °C and 30 °C (68 °F and 86 °F).
- The instrument must be operating within the environmental limits listed in Table 1-12 on page 1-27.
- The instrument must be powered from a source that meets the specifications listed in Table 1-10 on page 1-25.
- The instrument must have been operating continuously for at least 20 minutes within the specified operating temperature range.
- You must perform the Signal Path Compensation procedure after the 20-minute warm-up period, and the ambient temperature must not change more than 5 °C without first repeating the procedure. See *Run the signal path compensation routine* on page 4-6 for instructions to perform this procedure.
- You must perform the Signal Path Compensation procedure after the 20-minute warm-up period, and if the ambient temperature changes more than 5 °C (41 °F), repeat the procedure.

Product and Feature Description

Your instrument is shown in Table 1-1.

Table 1-1: Instrument models

Model	Number of channels	Bandwidth	Maximum sample rate (real time)
TDS7704B	4	7 GHz	20 GS/s
CSA7404B	4	4 GHz	20 GS/s
TDS7404B	4	4 GHz	20 GS/s
TDS7254B	4	2.5 GHz	20 GS/s
TDS7154B	4	1.5 GHz	20 GS/s

Acquisition Features

Separate Digitizers. Ensure accurate timing measurements with separate digitizers for each channel. Acquisition on multiple channels is always concurrent. The digitizers can also be combined to yield a higher sample rate on a single channel.

Fast Acquisition. Acquire up to 400,000 waveforms per second to see rapidly changing signals or intermittent signal irregularities.

Long Record Lengths. Choose record lengths from 500 points up to 500,000 points per channel (up 2,000,000 points on a single channel). Extend the maximum record length up to a maximum of 64,000,000 points with memory options.

Peak Detect Acquisition Mode. See pulses as narrow as 400 ps even at the slower time base settings. Peak detect helps you see noise and glitches in your signal.

Acquisition Control. Acquire continuously or set up to capture single shot acquisitions. Enable or disable optional acquisition features such as equivalent time or roll mode. Use Fast Frame acquisition to capture and time stamp many events in a rapid sequence.

Horizontal Delay. Use delay when you want to acquire a signal at a significant time interval after the trigger point. Toggle delay on and off to quickly compare the signal at two different points in time.

	<p>Optical-to-Electrical Converter. CSA7000B Series only. Test optical signals using the integrated optical-to-electrical converter and a fully calibrated signal path. Recovered clock and data signals are available. Optical reference receivers are available for selected optical communications standards.</p>
Signal Processing Features	<p>Average, Envelope, and Hi Res Acquisition. Use Average acquisition mode to remove uncorrelated noise from your signal. Use Envelope to capture and display the maximum variation of the signal. Use Hi Res to increase vertical resolution for lower bandwidth signals.</p> <p>Waveform Math. Set up simple math waveforms using the basic arithmetic functions or create more advanced math waveforms using the math expression editor. Waveform expressions can even contain measurement results and other math waveforms.</p> <p>Spectral Analysis. Display spectral magnitude and phase waveforms based on your time-domain acquisitions. Control the instrument using the traditional spectrum analyzer controls such as span and center frequency.</p>
Display Features	<p>Color LCD Display. Identify and differentiate waveforms easily with color coding. Waveforms, readouts, and inputs are color matched to increase productivity and reduce operating errors. Enhance visualization of waveforms with color grading.</p> <p>Digital Phosphor. The instrument can clearly display intensity modulation in your signals. The instrument automatically overlays subsequent acquisitions and then decays them to simulate the writing and decay of the phosphor in an analog instrument CRT. The feature results in an intensity-graded or color-graded waveform display that shows the information in the intensity modulation.</p> <p>Fit to Screen. The Digital Phosphor technology performs the compression required to represent all record points on the screen, even at the maximum record length settings.</p> <p>MultiView Zoom. To take advantage of the full resolution of the instrument you can zoom in on a waveform to see the fine details. Both vertical and horizontal zoom functions are available. Zoomed waveforms can be aligned, locked, and automatically scrolled.</p>
Measurement Features	<p>Cursors. Use cursors to take simple voltage, time, and frequency measurements.</p>

Automatic Measurements. Choose from a large palette of amplitude, time, and histogram measurements. You can customize the measurements by changing reference levels or by adding measurement gating.

Mask Testing. Optional on TDS7000B Series. Provides mask testing for verifying compliance to optical (CSA7000B Series only) and electrical standards. Optical mask testing uses integrated reference receivers.

Trigger Features

Simple and Advanced Trigger Types. Choose simple edge trigger or choose from eight advanced trigger types to help you capture a specific signal fault or event.

Dual Triggers. Use the A (main) trigger system alone or add the B trigger to capture more complex events. You can use the A and B triggers together to set up a delay-by-time or delay-by-events trigger condition.

Comm Triggers. Optional on TDS7000B Series. Use comm triggers to trigger on communication signals.

Serial Triggers. Optional on TDS7000B Series. Use serial triggers to trigger on serial pattern data.

Recovered Clock and Data Triggers. Use recovered clock and data internally to trigger your waveforms. They are also available externally (CSA7000B Series only).

Convenience Features

Autoset. Use Autoset to quickly set up the vertical, horizontal, and trigger controls for a usable display. If a standard mask is active (optional on TDS7000B Series), Autoset adjusts the selected waveform to match the mask, if possible.

Touch Screen Interface. You can operate all instrument functions (except the power switch and the touch screen enable/disable switch) from the touch screen interface. If convenient, you can also install a mouse and keyboard to use the interface.

Toolbar or Menu Bar. You can choose a toolbar operating mode that is optimized for use with the touch screen, or a PC-style menu bar operating mode that is optimized for use with a mouse.

Open Desktop. The instrument is built on a Microsoft Windows software platform; the instrument application program starts automatically when you apply power to the instrument. You can minimize the instrument application and take full advantage of the built-in PC to run other applications. Moving waveform images and data into other applications is as simple as a copy/paste operation.

Dedicated Front Panel Controls. The front panel contains knobs and buttons to provide immediate access to the most common instrument controls. Separate vertical controls are provided for each channel. The same functions are also available through the screen interface.

Data Storage and I/O. The instrument has a removeable hard disk drive, a CD-RW, and a floppy disk drive that can be used for storage and retrieval of data. The instrument has GPIB, USB, Centronics, and Ethernet ports for input and output to other devices.

Online Help. The instrument has a complete online help system that covers all features. The help system is context sensitive; help for the displayed control window is automatically shown if you touch the help button. Graphical aids in the help windows assist you in getting to the information you need. You can also access the help topics through a table of contents or index.

Specification Tables

Table 1-2: Channel input and vertical specifications

Characteristic	Description								
Input channels	Four								
Input coupling	Channel input is disconnected from input termination when using GND coupling.								
	DC 50 Ω and GND								
✓ Input impedance, DC coupled									
	50 Ω \pm 2.5% at 25 $^{\circ}$ C (77 $^{\circ}$ F), \pm 0.2% over 0 to 50 $^{\circ}$ C (122 $^{\circ}$ F)								
VSWR, typical									
CSA7404B, TDS7404B, CSA7154, & TDS7154B	1.5 for f_{in} <1 GHz 1.7 for f_{in} <2.5 GHz 2.0 for f_{in} <4 GHz								
TDS7704B	<table border="0"> <tr> <td>< 100 mV/div</td> <td>\geq 100 mV/div</td> </tr> <tr> <td>1.5 for f_{in} <2 GHz</td> <td>1.1 for f_{in} <2 GHz</td> </tr> <tr> <td>2 for f_{in} <3 GHz</td> <td>1.2 for f_{in} <3 GHz</td> </tr> <tr> <td>2.5 for f_{in} <6 GHz</td> <td>1.3 for f_{in} <6 GHz</td> </tr> </table>	< 100 mV/div	\geq 100 mV/div	1.5 for f_{in} <2 GHz	1.1 for f_{in} <2 GHz	2 for f_{in} <3 GHz	1.2 for f_{in} <3 GHz	2.5 for f_{in} <6 GHz	1.3 for f_{in} <6 GHz
< 100 mV/div	\geq 100 mV/div								
1.5 for f_{in} <2 GHz	1.1 for f_{in} <2 GHz								
2 for f_{in} <3 GHz	1.2 for f_{in} <3 GHz								
2.5 for f_{in} <6 GHz	1.3 for f_{in} <6 GHz								

Table 1-2: Channel input and vertical specifications (Cont.)

Characteristic	Description						
✓ Maximum input voltage, CSA7404B, TDS7404B, CSA7154, & TDS7154B TDS7704B	<1 V _{RMS} for <100 mV/division settings and <5 V _{RMS} for ≥ 100 mV settings <6.5 V _{RMS} for ≥ 100 mV settings for temperatures ≤ 45 °C <6.0 V _{RMS} for ≥ 100 mV settings for temperatures > 45 °C						
Number of digitized bits	8 bits						
Sensitivity range	Fine adjustment available with ≥1% resolution 2 mV/div to 1 V/division, in a 1-2-5 sequence						
✓ DC gain accuracy TDS7704B	<i>Net offset is the nominal voltage that must be applied to the channel to bring the trace to center screen. Net offset = offset - (position × volts/division) and is expressed in volts</i>						
	<table border="1"> <tbody> <tr> <td>2 mV/div to 3.98 mV/div</td> <td>± (3% +(6% × net offset/1V))</td> </tr> <tr> <td>4 mV/div to 99.5 mV/div</td> <td>± (2.5% +(2% × net offset/1V))</td> </tr> <tr> <td>100 mV/div to 1 V/div</td> <td>± (2.5% +(2% × net offset/10V))</td> </tr> </tbody> </table>	2 mV/div to 3.98 mV/div	± (3% +(6% × net offset/1V))	4 mV/div to 99.5 mV/div	± (2.5% +(2% × net offset/1V))	100 mV/div to 1 V/div	± (2.5% +(2% × net offset/10V))
2 mV/div to 3.98 mV/div	± (3% +(6% × net offset/1V))						
4 mV/div to 99.5 mV/div	± (2.5% +(2% × net offset/1V))						
100 mV/div to 1 V/div	± (2.5% +(2% × net offset/10V))						

Table 1-2: Channel input and vertical specifications (Cont.)

Characteristic	Description	
CSA7404B, TDS7404B, TDS7254B, & TDS7154B	2 mV/div to 3.98 mV/div	$\pm (2.5\% + (6\% \times \text{net offset}/1V))$
	4 mV/div to 99.5 mV/div	$\pm (2\% + (2\% \times \text{net offset}/1V))$
	100 mV/div to 1 V/div	$\pm (2\% + (2\% \times \text{net offset}/10V))$
✓ DC voltage measurement accuracy CSA7404B, TDS7404B, TDS7254B, & TDS7154B	<i>Measurement type</i>	<i>DC accuracy (in volts)</i>
Average acquisition mode (≥ 16 averages)	2 mV/div to 3.98 mV/div	$\pm [(2.5\% + (6\% \times \text{net offset}/1V)) \times \text{reading} - \text{net offset} + \text{offset accuracy} + 0.08 \text{ division} \times V/\text{division}]$
	4 mV/div to 99.5 mV/div	$\pm [(2\% + (2\% \times \text{net offset}/1V)) \times \text{reading} - \text{net offset} + \text{offset accuracy} + 0.08 \text{ division} \times V/\text{division}]$
	≥ 100 mV/div	$\pm [(2\% + (2\% \times \text{net offset}/10V)) \times \text{reading} - \text{net offset} + \text{offset accuracy} + 0.08 \text{ division} \times V/\text{division}]$
Delta voltage measurement between any two averages of ≥ 16 waveforms acquired under the same setup and ambient conditions	2 mV/div to 3.98 mV/div	$\pm [(2.5\% + (6\% \times \text{net offset}/1V)) \times \text{reading} + 0.16 \text{ division} \times V/\text{division setting}]$
	4 mV/div to 99.5 mV/div	$\pm [(2\% + (2\% \times \text{net offset}/1V)) \times \text{reading} + 0.16 \text{ division} \times V/\text{division setting}]$
	100 mV/div to 1 V/div	$\pm [(2\% + (2\% \times \text{net offset}/10V)) \times \text{reading} + 0.16 \text{ division} \times V/\text{division setting}]$
	<i>Net offset is the nominal voltage that must be applied to the channel to bring the trace to center screen. Net offset = offset - (position \times volts/division) and is expressed in volts</i>	
✓ DC voltage measurement accuracy, TDS7704B	<i>Measurement type</i>	<i>DC accuracy (in volts)</i>
Average acquisition mode (≥ 16 averages)	2 mV/div to 3.98 mV/div	$\pm [(3\% + (6\% \times \text{net offset}/1V)) \times \text{reading} - \text{net offset} + \text{offset accuracy} + 0.08 \text{ division} \times V/\text{division}]$
	4 mV/div to 99.5 mV/div	$\pm [(2.5\% + (2\% \times \text{net offset}/1V)) \times \text{reading} - \text{net offset} + \text{offset accuracy} + 0.08 \text{ division} \times V/\text{division}]$
	100 mV/div to 1 V/div	$\pm [(2.5\% + (2\% \times \text{net offset}/10V)) \times \text{reading} - \text{net offset} + \text{offset accuracy} + 0.08 \text{ division} \times V/\text{division}]$

Table 1-2: Channel input and vertical specifications (Cont.)

Characteristic	Description	
Delta voltage measurement between any two averages of ≥ 16 waveforms acquired under the same setup and ambient conditions	2 mV/div to 3.98 mV/div	$\pm[(3\% + (6\% \times \text{net offset}/1V)) \times \text{reading} + 0.16 \text{ division} \times V/\text{division setting}]$
	4 mV/div to 99.5 mV/div	$\pm[(2.5\% + (2\% \times \text{net offset}/1V)) \times \text{reading} + 0.16 \text{ division} \times V/\text{division setting}]$
	100 mV/div to 1 V/div	$\pm[(2.5\% + (2\% \times \text{net offset}/10V)) \times \text{reading} + 0.16 \text{ division} \times V/\text{division setting}]$
<i>Net offset is the nominal voltage that must be applied to the channel to bring the trace to center screen. Net offset = offset - (position \times volts/division) and is expressed in volts</i>		
Nonlinearity, typical	< 1 digitization level (DL), differential; ≤ 2 DL integral, independently based	
✓ Analog bandwidth	DC 50 Ω coupling, Full bandwidth, TCA-SMA or TCA-N adapter, operating ambient 15 °C (0 °C for TDS7154B, and CSA7154) to 50 °C (59 °F to 122 °F), derated by 30 MHz/°C below 15 °C (59 °F)	
	<i>SCALE range</i>	<i>Bandwidth</i>
	2 mV/div to 3.9 mV/div	DC to ≥ 1 GHz
	4 mV/div to 9.9 mV/div	DC to ≥ 1.25 GHz
	≥ 10 mV/div	TDS7704B DC to 7 GHz, DC to 7.25 GHz, typical CSA7404B, & TDS7404B: DC to 4 GHz TDS7254B: DC to ≥ 2.5 GHz TDS7154B: DC to 1.5 GHz
Analog bandwidth with P7240 active probe or TCA-BNC adapter, typical CSA7404B & TDS7404B	DC 50 Ω coupling, Full bandwidth, operating ambient 15 °C to 30 °C (59 °F to 86 °F), derated by 20 MHz/°C above 30 °C (86 °F)	
	<i>SCALE range</i>	<i>Bandwidth</i>
	2 mV/div to 3.9 mV/div	DC to 1 GHz
	4 mV/div to 9.9 mV/div	DC to 1.25 GHz
	≥ 10 mV/div	DC to 4 GHz

Table 1-2: Channel input and vertical specifications (Cont.)

Characteristic	Description	
Analog bandwidth with P7330 active probe, typical CSA7404B and TDS7404B	DC 50 Ω coupling, Full bandwidth, operating ambient 15 °C to 30 °C, derated by 20 MHz/°C above 30 °C	
	<i>SCALE range</i>	<i>Bandwidth</i>
	2 mV/div to 3.9 mV/div	DC to 1 GHz
	4 mV/div to 9.9 mV/div	DC to 1.25 GHz
	≥ 10 mV/div	DC to 3.5 GHz
Analog bandwidth with P7260 active probe or TCA-BNC adapter, typical TDS7704B	Operating ambient 15 °C to 30 °C (59 °F to 86 °F) at V/div ≥ 10 mV/div, derated by 20 MHz/°C above 30 °C (86 °F)	
	<i>SCALE range</i>	<i>Bandwidth</i>
	2 mV/div to 3.9 mV/div	DC to 1 GHz
	4 mV/div to 9.9 mV/div	DC to 1.25 GHz
	≥ 10 mV/div	DC to 6 GHz
Calculated rise time, typical ¹		
TDS7704B	62 ps	
CSA7404B & TDS7404B	100 ps	
CSA7154	130 ps	
TDS7154B	200 ps	
Step response settling errors, typical	Full bandwidth	
	<i>SCALE range and step amplitude</i>	<i>Settling error at time after step</i>
	2 mV/div to 99.5 mV/div, with ≤ 1.5 V step	20 ns: $\leq 2\%$ 1 ms: $\leq 0.1\%$
	100 mV/div to 1 V/div, with ≤ 3 V step	20 ns: $\leq 2\%$ 1 ms: $\leq 0.2\%$

Table 1-2: Channel input and vertical specifications (Cont.)

Characteristic	Description	
Pulse response, peak detect, or envelope mode	Sample rate setting	Minimum pulse width
	2.5 GS/s or less	400 ps
Position range	± 5 divisions	
Offset range	<i>SCALE range</i>	<i>Offset range</i>
	2 mV/div to 50 mV/div	±0.50 V
	50.5 mV/div to 99.5 mV/div	±0.25 V
	100 mV/div to 500 mV/div	±5 V
	505 mV/div to 1 V/div	±2.5 V
✓ Offset accuracy	<i>Net offset is the nominal voltage that must be applied to the channel to bring the trace to center screen. Net offset = offset - (position × volts/division). Offset accuracy is the accuracy of this voltage level.</i>	
CSA7404B, TDS7404B, CSA7154, & TDS7154B	<i>SCALE range</i>	<i>Offset accuracy</i>
	2 mV/div to 9.95 mV/div	±(0.2% × net offset + 1.5 mV + 0.1 div × V/div setting)
	10 mV/div to 99.5 mV/div	±(0.35% × net offset + 1.5 mV + 0.1 div × V/div setting)
TDS7704B	100 mV/div to 1 V/div	±(0.35% × net offset + 15 mV + 0.1 div × V/div setting)
	<i>SCALE range</i>	<i>Offset accuracy</i>
	2 mV/div to 9.95 mV/div	±(0.35% × net offset + 1.5 mV + 0.1 div × V/div setting)
TDS7704B	10 mV/div to 99.5 mV/div	±(0.5% × net offset + 1.5 mV + 0.1 div × V/div setting)
	100 mV/div to 1 V/div	±(0.5% × net offset + 15 mV + 0.1 div × V/div setting)

Table 1-2: Channel input and vertical specifications (Cont.)

Characteristic	Description	
Effective bits, typical CSA7404B, TDS7704B, TDS7404B, CSA7154, & TDS7154B	Nine division sine wave input at the indicated frequency, sampled at 50 mV/division and 20 GS/s	
	<i>Input frequency</i>	<i>Effective bits</i>
	1 MHz	6.0 bits
	1 GHz	5.7 bits
	1.5 GHz	5.5 bits
	2 GHz, CSA7404B, TDS7404B, TDS7704B & CSA7154 only	5.3 bits
	2.5 GHz, CSA7404B, TDS7704B, TDS7404B & CSA7154 only	5.2 bits
	3 GHz, CSA7404B, TDS7704B & TDS7404B only	5.1 bits
	4 GHz, CSA7404B, TDS7704B & TDS7404B only	4.9 bits
	5 GHz, TDS7704B only	4.5 bits
	6 GHz, TDS7704B only	3.5 bits
	7 GHz, TDS7704B only	3.0 bits
✓ Delay between channels	≤ 30 ps between any two channels with the same scale and coupling settings	
✓ Channel-to-channel crosstalk	≥15:1 at rated bandwidth (CSA7404B, TDS7704B, TDS7404B & CSA7154 only), and ≥ 80:1 at ≤ 1.5 GHz or the rated bandwidth, whichever is less. Assumes two channels with the same scale settings	

¹ **Rise time calculation: A simple formula relating these times to bandwidth for all instruments is not available. The instruments have been characterized with the typical rise times listed.**

Table 1-3: Horizontal and acquisition system specifications

Characteristic	Description	
Real-time sample rate range	<i>Number of channels acquired</i>	<i>Sample rate range</i>
	1	5 S/s to 20GS/s
	2	5 S/s to 10GS/s
	3 or 4	5 S/s to 5GS/s

Table 1-3: Horizontal and acquisition system specifications (Cont.)

Characteristic	Description
Equivalent-time sample rate or interpolated waveform rate range	Equivalent-time acquisition can be enabled or disabled. When disabled, waveforms are interpolated at the fastest time base settings. 10GS/s to 1TS/s
Acquisition modes	Sample, Peak detect, Hi Res, Average, Envelope, and Waveform database
Minimum record length	500 points
Maximum record length, sample mode	Depends on the number of active channels and the record length options installed. Maximum record length is less in serial trigger mode
Standard	500,000 points (3 or 4 channels) 1,000,000 points (1 or 2 channels only) 2,000,000 points (1 channel only)
Option 2M installed	2,000,000 points (3 or 4 channels) 4,000,000 points (1 or 2 channels only) 8,000,000 points (1 channel only)
Option 3M installed	4,000,000 points (3 or 4 channels) 8,000,000 points (1 or 2 channels only) 16,000,000 points (1 channel only)
Option 4M installed	8,000,000 points (3 or 4 channels) 16,000,000 points (1 or 2 channels only) 32,000,000 points (1 channel only)
Option 5M installed	16,000,000 points (3 or 4 channels) 32,000,000 points (1 or 2 channels only) 64,000,000 points (1 channel only)

Table 1-3: Horizontal and acquisition system specifications (Cont.)

Characteristic	Description	
Maximum record length, HiRes mode, sample rate ≤ 1.25 GS/s	2,000,000 points (1, 2, 3, or 4 channels)	
Seconds/division range	50 ps/div to 10 s/div	
Maximum FastFrame update rate, nominal	265,000 frames per second	
Frame length and maximum number of frames	Maximum number of frames for Sample or Peak Detect acquisition mode, depending on memory option installed	
	<i>Frame length</i>	<i>Maximum number of frames</i>
	50 points	Standard: 648-5872 Option 2M: 2660-24088 Option 3M: 5321-48192 Option 4M: 5321-48192 Option 5M: 10644-96408
	500 points	Standard: 580-3560 Option 2M: 2381-14632 Option 3M: 4765-29272 Option 4M: 4765-29272 Option 5M: 9531-58552
	5000 points	Standard: 163-720 Option 2M: 669-2968 Option 3M: 1339-5936 Option 4M: 1339-5936 Option 5M: 2679-11880
	50,000 points	Standard: 19-80 Option 2M: 81-328 Option 3M: 163-656 Option 4M: 163-656 Option 5M: 327-1320
	500,000 points	Standard: 2-8 Option 2M: 8-32 Option 3M: 16-64 Option 4M: 16-64 Option 5M: 32-128

Table 1-3: Horizontal and acquisition system specifications (Cont.)

Characteristic	Description						
Update rate, maximum	Fast Acquisition on: 400,000 waveforms per second Fast Acquisition off: 60 waveforms per second						
✓ Internal time-base reference frequency	10 MHz \pm 2.5 ppm over any \geq 100 ms interval. Aging < 1 ppm per year						
✓ Long term sample rate and delay time accuracy	\pm 2.5 ppm over any \geq 100 ms interval. Aging < 1 ppm per year						
Aperture uncertainty, typical	Short term: \leq 2 ps rms, records having duration \leq 100 ms. \leq 800 fs rms, records having duration \leq 10 μ s Long term: \leq 15 parts per trillion rms, records having duration \leq 1 minute						
Time base delay time range	5 ns to 250 s						
✓ Delta time measurement accuracy	For a single channel, with signal amplitude > 5 divisions, reference level set at 50%, interpolation set to $\sin(x)/x$, with risetime $>1.4 \times T_s$ and $<4 \times T_s$ or 150 ps (whichever is greater) and acquired \geq 10 mV/Div, where T_s is the sample period. RMS specification is typical.						
	<table border="1"> <thead> <tr> <th>Conditions</th> <th>Accuracy</th> </tr> </thead> <tbody> <tr> <td>Single shot signal, Sample acquisition mode, Full bandwidth</td> <td>\pm (0.06/sample rate +2.5 ppm \times reading) RMS \pm (0.3/sample rate +2.5 ppm \times reading) peak</td> </tr> <tr> <td>Average acquisition mode, >100 averages, Full bandwidth</td> <td>\pm (4 ps +2.5 ppm \times reading) peak</td> </tr> </tbody> </table>	Conditions	Accuracy	Single shot signal, Sample acquisition mode, Full bandwidth	\pm (0.06/sample rate +2.5 ppm \times reading) RMS \pm (0.3/sample rate +2.5 ppm \times reading) peak	Average acquisition mode, >100 averages, Full bandwidth	\pm (4 ps +2.5 ppm \times reading) peak
Conditions	Accuracy						
Single shot signal, Sample acquisition mode, Full bandwidth	\pm (0.06/sample rate +2.5 ppm \times reading) RMS \pm (0.3/sample rate +2.5 ppm \times reading) peak						
Average acquisition mode, >100 averages, Full bandwidth	\pm (4 ps +2.5 ppm \times reading) peak						

Table 1-4: Trigger specifications

Characteristic	Description	
Trigger jitter, typical		
TDS7704B	1.2 ps rms for low frequency, fast rise time signal	
CSA7404B & TDS7404B	1.5 ps rms for low frequency, fast rise time signal	
CSA7154, & TDS7154B	2 ps rms for low frequency, fast rise time signal	
✓ Edge Trigger Sensitivity	All sources, for vertical scale settings ≥ 10 mV/div and ≤ 1 V/div	
	<i>Trigger Source</i>	<i>Sensitivity</i>
	Main trigger, DC coupled	≤ 0.5 div from DC to 50 MHz CSA7404B, TDS7704B, TDS7404B ≤ 1.5 div at 3 GHz TDS7254B: ≤ 1 div at 2.5 GHz TDS7154B ≤ 1 div at 1.5 GHz
	Delayed trigger, DC coupled	≤ 0.5 div from DC to 50 MHz CSA7404B, TDS7704B, TDS7404B ≤ 1.5 div at 3 GHz TDS7254B: ≤ 1 div at 2.5 GHz TDS7154B ≤ 1 div at 1.5 GHz
	Auxiliary input, DC coupled	≤ 150 mV from DC to 50 MHz, increasing to 500 mV at 2.5 GHz (typical between 2 and 2.5 GHz)
Edge Trigger Sensitivity, either slope, DC coupled, typical	All sources, for vertical scale settings ≥ 10 mV/div and ≤ 1 V/div	
	<i>Trigger coupling</i>	<i>Sensitivity</i>
	DC	≤ 0.5 div from DC to 50 MHz ≤ 1 div at 1.25 GHz
	NOISE REJ	$3 \times$ the DC-coupled limits
	AC	Same as DC-coupled limits for frequencies > 100 Hz, attenuates signals < 100 Hz
	HF REJ	Same as DC-coupled limits for frequencies < 20 kHz, attenuates signals > 20 kHz
	LF REJ	Same as DC-coupled limits for frequencies > 200 kHz, attenuates signals < 200 kHz

Table 1-4: Trigger specifications (Cont.)

Characteristic	Description		
Edge trigger sensitivity, 4 GHz, typical CSA7404B, TDS7704B, TDS7404B	CH1 — CH4		
	<i>Trigger coupling</i>	<i>Sensitivity</i>	
	Main trigger, DC coupled	2.7 divisions at 4 GHz	
Edge trigger sensitivity, not DC coupled, typical	All sources, for vertical scale settings ≥ 10 mV/div and ≤ 1 V/div		
	<i>Trigger coupling</i>	<i>Sensitivity</i>	
	NOISE REJ	3 \times the DC-coupled limits	
	AC	Same as DC-coupled limits for frequencies > 100 Hz, attenuates signals < 100 Hz	
	HF REJ	Same as DC-coupled limits for frequencies < 20 kHz, attenuates signals > 20 kHz	
	LF REJ	Same as DC-coupled limits for frequencies > 200 kHz, attenuates signals < 200 kHz	
Auxiliary trigger input characteristics, typical	50 $\Omega \pm 10\%$, ± 5 V (DC + peak AC)		
Lowest frequency for Set Level to 50%, typical	50 Hz		
Advanced trigger sensitivity, typical	For vertical scale settings 10 mV/div and 1 V/div		
	Advanced triggers: 1.0 div, from DC to 1 GHz at the TekConnect connector		
Advanced trigger timing	For vertical scale settings 10 mV/div and 1 V/div		
		<i>Minimum recognizable event width or time</i>	<i>Minimum rearm time to recognize next event</i>
	Glitch type	Minimum glitch width = 225 ps (170 ps on the TDS7704B)	250 ps
	Runt type	Minimum runt width = 225 ps	250 ps
	Time-qualified runt type	Minimum runt width = 340 ps	450 ps
	Width type	Minimum difference between upper and lower limits = 225 ps	250 ps
	Window type	225 ps	300 ps

Table 1-4: Trigger specifications (Cont.)

Characteristic	Description		
Transition type	Minimum transition time = 0 ps	225 ps	
Timeout type	Minimum timeout time = 340 ps	450 ps	
Logic or state type, typical	Minimum event width = 100 ps	500 ps	
Setup/Hold type, typical	<i>Minimum clock pulse width from active edge to inactive edge</i>	<i>Minimum clock pulse width from inactive edge to active edge</i>	
	500 ps + hold time setting for times ≥ 0 1.5 ns + hold time setting for times < 0	500 ps	
Advanced trigger timer ranges	<i>Limits</i>		
Glitch type	340 ps to 1 s		
Runt type, time qualified	340 ps to 1 s		
Width type	340 ps to 10 s		
Timeout type	340 ps to 1 s		
Transition type	340 ps to 1 s		
Pattern type	340 ps to 1 s		
Window type	340 ps to 1 s		
Setup/Hold type	<i>Setup and Hold timers</i>	<i>Limits</i>	
	Setup time (time from data transition to clock edge)	-100 ns to +100 ns	
	Hold time (time from clock edge to data transition)	-1 ns to +102 ns	
	Setup time + Hold time (algebraic sum of the two settings)	500 ps	
Logic-qualified pulse-type trigger minimum timing requirements	Minimum event duration	Setup time	Hold time
Glitch	100 ps	40 ps	60 ps
Runt	Runt width + 150 ps	160 ps	-16 ps
Time-qualified runt	Runt width + 330 ps	160 ps	175 ps
Width	190 ps	40 ps	175 ps
Transition	330 ps	225 ps	175 ps
Window	190 ps	-20 ps	0 ps

Table 1-4: Trigger specifications (Cont.)

Characteristic	Description	
✓ Time-qualified trigger timer accuracy	For Glitch, Timeout, or Width types	
	<i>Time range</i>	<i>Accuracy</i>
	340 ps to 1.5 μ s (360 ps to 1.8 ns typical)	\pm 5% of setting
	1.5 μ s to 1 s	\pm 91 ns
Trigger level or threshold range	<i>Trigger Source</i>	<i>Sensitivity</i>
	Any channel	\pm 12 divisions from center of screen
	Auxiliary input	\pm 5 V
	Line	\pm 0 V, not settable
Trigger level or threshold accuracy, typical	Edge trigger, DC coupling, for signals having rise and fall times \leq 1 ns	
	<i>Trigger Source</i>	<i>Accuracy</i>
	Any channel	\pm [(2% \times setting - net offset) + (0.35 div \times volts/div setting) + offset accuracy] (\geq 10 mV/div only)
	Auxiliary	Not specified
	<i>where, net offset = offset - (position \times volts/division)</i>	
B Event (Delayed) trigger	<i>Trigger After Time</i>	<i>Trigger on n^{th} Event</i>
	Range	Event count = 1 to 10^7
	Minimum pulse width, typical	250 ps
	Minimum time between events, typical	1 ns
Trigger position error, typical	Edge trigger, DC coupling, for signals having a slew rate at the trigger point of \geq 0.5 division/ns	
	<i>Acquisition mode</i>	<i>Error</i>
	Sample, Average	\pm (1 waveform interval + 200 ps)
	Peak Detect, Envelope	\pm (2 waveform interval + 200 ps)
Trigger holdoff range	250 ns to 12 s plus random holdoff, if enabled. Minimum resolution is 8 ns for settings \leq 1.2 μ s. A dither of 800 ps is added to the holdoff setting	

Table 1-5: Serial Trigger specifications (optional on TDS7000B Series)

Characteristic	Description	
Serial trigger number of bits	64	
Serial trigger encoding types	NRZ	
Serial trigger baud rate limits	Up to 1.25 GBd	
Serial trigger, serial word recognizer position accuracy	Edge trigger, DC coupling, for signals having a slew rate at the trigger point of ≥ 0.5 division/ns	
	<i>Acquisition mode</i>	<i>Error</i>
	Sample, Average	\pm (1 waveform interval + 200 ps)
	Peak Detect, Envelope	\pm (2 waveform interval + 200 ps)
Clock recovery frequency range	1.5 MBd to 3.125 GBd. Above 1250 MHz the clock is only available internally as a trigger source. Below 1250 MHz the clock is also available at the Recovered Clock output along with regenerated data (CSA7000B Series only).	
Clock recovery jitter, typical	< 0.25% bit period + 2 ps rms for PRBS data patterns. < 0.25% bit period + 1.2 ps rms for repeating 01 data patterns.	
Clock recovery tracking/acquisition range, typical	\pm 2% of requested baud	
Minimum signal amplitude needed for clock recovery, typical	1 division p-p up to 1.25 GBd 1.5 divisions p-p above 1.25 GBd	

Table 1-6: Display specifications

Characteristic	Description
Display type	210.4 mm (8.3 in) (W) \times 157.8 mm (6.2 in) (H), 263 mm (10.4 in) diagonal, liquid crystal active-matrix color display
Display resolution	1024 horizontal \times 768 vertical pixels
Pixel pitch	0.2055 mm horizontal, 0.2055 mm vertical
Response time, typical	15 ms, white to black
Display refresh rate	59.94 frames per second
Viewing angle, typical	Horizontal: 60 degrees left, 60 degrees right Vertical: 60 degrees up, 45 degrees down
Displayed intensity levels	Each R-G-B input is 6 bits, giving 64 intensity levels of each color component

Table 1-7: Input/output port specifications

Characteristic	Description
Rear-panel I/O ports	Ports located on the rear panel
Video output port	Upper video port, DB-15 female connector, connect a second monitor to use dual-monitor display mode. Video is DDC2B compliant.
Scope XGA video port	Lower video port, DB-15 female connector, 31.6 kHz sync, EIA RS-343A compliant, connect to show the instrument display, including live waveforms, on an external monitor
Parallel port (IEEE 1284)	DB-25 connector, supports the following modes: standard (output only) bidirectional (PS-2 compatible) bidirectional enhanced parallel port (IEEE 1284 standard, mode 1 or mode 2, v 1.7) bidirectional high-speed extended capabilities port (ECP)
Serial port	DB-9 COM1 port, uses NS16C550-compatible UARTS, transfer speeds up to 115.2 kb/s
Keyboard port	PS-2 compatible, instrument must be powered down to make connection
Mouse port	PS-2 compatible, instrument must be powered down to make connection
LAN port	RJ-45 connector, supports 10 base-T and 100 base-T
Audio ports	Miniature phone jacks for stereo microphone input and stereo line output
USB ports, two	Allows connection or disconnection of USB keyboard and/or mouse while instrument power is on
GPIB port	IEEE 488.2 standard interface

Table 1-7: Input/output port specifications (Cont.)

Characteristic	Description					
✓ Probe Compensator Output	<p>Front-panel BNC connector, requires Probe Cal Deskeiw Fixture for probe attachment</p> <p>Note: During probe calibration only, a relay switches a DC calibration voltage to this output in place of the 1 kHz square wave. This voltage varies from -10 V to +10 V with a source impedance less than 1 Ω and short circuit current as high as 300 mA.</p> <table border="1"> <thead> <tr> <th>Output voltage</th> <th>Frequency</th> </tr> </thead> <tbody> <tr> <td>500 mV (from base to top) \pm 20% into a 50 Ω load (V_{ol} = -500 mV, V_{oh} = 0 V typical)</td> <td rowspan="2">1 kHz \pm 5%</td> </tr> <tr> <td>1 V (from base to top) \pm 20% into a 1 MΩ load (V_{ol} = -1.0 V, V_{oh} = 0 V typical)</td> </tr> </tbody> </table>	Output voltage	Frequency	500 mV (from base to top) \pm 20% into a 50 Ω load (V _{ol} = -500 mV, V _{oh} = 0 V typical)	1 kHz \pm 5%	1 V (from base to top) \pm 20% into a 1 M Ω load (V _{ol} = -1.0 V, V _{oh} = 0 V typical)
Output voltage	Frequency					
500 mV (from base to top) \pm 20% into a 50 Ω load (V _{ol} = -500 mV, V _{oh} = 0 V typical)	1 kHz \pm 5%					
1 V (from base to top) \pm 20% into a 1 M Ω load (V _{ol} = -1.0 V, V _{oh} = 0 V typical)						
✓ Analog Signal Output amplitude	<p>BNC connector, provides a buffered version of the signal that is attached to the channel 3 input when channel 3 is the trigger source</p> <p>20 mV/div \pm 20% into a 1 MΩ load 10 mV/div \pm 20% into a 50 Ω load</p> <p>Offset: between -100 mV and -170 mV into 50 Ω</p>					
Analog Signal Output bandwidth, typical	1.8 GHz into a 50 Ω load					
✓ Auxiliary Output levels	<p>BNC connector, provides a TTL-compatible pulse (polarity selectable) for each A or B trigger (selectable)</p> <table border="1"> <thead> <tr> <th>V_{out high}</th> <th>V_{out low (true)}</th> </tr> </thead> <tbody> <tr> <td>\geq2.5 V into open circuit, \geq1.0 V into 50 Ω load</td> <td>\leq0.7 V with \leq4 ma sink, \leq0.25 V into 50 Ω load</td> </tr> </tbody> </table>	V _{out high}	V _{out low (true)}	\geq 2.5 V into open circuit, \geq 1.0 V into 50 Ω load	\leq 0.7 V with \leq 4 ma sink, \leq 0.25 V into 50 Ω load	
V _{out high}	V _{out low (true)}					
\geq 2.5 V into open circuit, \geq 1.0 V into 50 Ω load	\leq 0.7 V with \leq 4 ma sink, \leq 0.25 V into 50 Ω load					

Table 1-7: Input/output port specifications (Cont.)

Characteristic	Description	
Auxiliary Output pulse width, typical	Pulse width varies, 1 μ s minimum	
External reference	Run SPC whenever the external reference is more than 2000 ppm different than the internal reference or the reference at which SPC was last run.	
Frequency range	9.8 MHz to 10.2 MHz	
✓ Input sensitivity	≥ 200 mV _{p-p} for frequencies between 9.8 MHz to 10.2 MHz	
Input voltage, maximum	7 V _{p-p}	
Input impedance	1.5 k Ω , C _{in} = 40 pF, measured at >100 kHz	
✓ Internal reference output		
Frequency	10 MHz \pm 2.5 ppm over any ≥ 100 ms interval. Aging < 1 ppm per year	
Output voltage	<i>V_{out high}</i>	<i>V_{out low (true)}</i>
	≥ 2.5 V into open circuit, ≥ 1.0 V into 50 Ω load	≤ 0.7 V with ≤ 4 ma sink, ≤ 0.25 V into 50 Ω load
Serial data output baud rate range (CSA7000B Series only)	F _{baud} < 1250 MBd. Output swing of 1010 repeating pattern at this baud will be at least 200 mV into 50 Ω .	
Serial clock output frequency range (CSA7000B Series only)	Peak-to-peak output swing at 625 MHz is at least 200 mV p-p into 50 Ω . Higher frequencies are further attenuated by approximately 6 dB per octave above 625 MHz. Use AC or DC coupled 50 Ω termination; AC coupling the clock provides about 10% more amplitude.	
Serial data and clock output voltages, typical (CSA7000B Series only)	V _{oh} = -1.0 V V _{ol} = -1.7 V Assumes a load impedance greater than 1 k Ω . (50 Ω source termination.) If a 50 Ω or 75 Ω load is used, either use a DC blocking capacitor in series with the signal or reference the termination to about -1.3 V. The signal amplitude will be correspondingly reduced.	
Serial data output latency, typical (CSA7000B Series only)	11 ns \pm 4 ns plus 35.5 clock cycles	

Table 1- 8: O/E converter (CSA7000B Series only)

Characteristic ¹	Description
Optical input connector	Rifocs universal connector
O/E wavelength range	700 nm to 1650 nm
✓O/E gain	≥ 0.27 V/mW (0.35 V/mW typical) at 780 nm ± 20 nm ≥ 0.33 V/mW (0.40 V/mW typical) at 850 nm ± 20 nm ≥ 0.64 V/mW (0.75 V/mW typical) at 1310 nm ± 20 nm ≥ 0.64 V/mW (0.75 V/mW typical) at 1550 nm ± 20 nm Applies to graded index multimode fiber with core diameter 62.5 μ m or smaller at the input and O/E Electrical-to-CH1 Input adapter
Optical Channel DC measurement accuracy, typical	$\pm ((2\% + (2\% \times \text{net offset}/1 \text{ mW})) \times \text{reading} + (\text{Position} \times \text{W}/\text{div}) - \text{Offset} + 0.35\% \times \text{Net Offset} + 3 \mu\text{W} + 0.18 \text{ div} \times \text{W}/\text{div})$ only between 10 μ W/div and 50 μ W/div inclusive. Average of ≥ 16 waveforms The delta between any two averages of ≥ 16 waveforms acquired under the same setup and ambient conditions: $\pm ((2\% + (2\% \times \text{net offset}/1 \text{ mW})) \times \text{reading} + 0.16 \text{ div} \times \text{W}/\text{div})$ Excludes normal variations due to fiber connection to the front of the instrument
✓Optical Channel Bandwidth (includes O/E, O/E-to-TekConnect adaptor, and instrument)	5 °C to 25 °C: 2.4 GHz
DC conversion gain linearity	< 4 mV/div: $\pm (4.5\% + (6\% \times \text{net offset}))$ 4 mV/div to 99.5 mV/div: $\pm (4\% + (2\% \times \text{net offset}))$ 100 mV/div to 1.0 V/div: $\pm (4\% + (2\% \times \text{net offset}/10))$
Absolute maximum nondestructive optical input	5 mW average; 10 mW peak at the wavelength with the highest relative responsivity
Maximum nonsaturating linear response to transient input, typical	The transient optical signal response is linear ($\pm 6\%$) for < 170 μ W average input (340 μ W p) at 850 nm < 120 μ W average input (240 μ W p) at 1310 and 1550 nm
Output zero (Dark level)	$\pm (1.6 \mu\text{W} + 0.1 \text{ division} \times \text{W}/\text{div})$ from 10 μ W to 50 μ W per division vertical scale setting
✓Maximum noise output, rms	CSA7404B: 1310 nm and 1550 nm $\leq 1.1 \mu\text{W} + (6.5\% \text{ of } \text{W}/\text{div} \text{ setting})$ 850 nm $\leq 2.1 \mu\text{W} + (6.5\% \text{ of } \text{W}/\text{div} \text{ setting})$ 780 nm $\leq 2.6 \mu\text{W} + (6.5\% \text{ of } \text{W}/\text{div} \text{ setting})$ O/E converter alone $\leq 0.85 \mu\text{W}$

Table 1-8: O/E converter (CSA7000B Series only) (Cont.)

Characteristic ¹	Description
Optical return loss, typical	<p>With 50 μm or 62.5 μm core multimode fiber (CPC6): >14 dB for 780 nm \pm 20 nm >14 dB for 850 nm \pm 20 nm</p> <p>With 9 μm core singlemode fiber (SMF-28): >28 dB for 1310 nm \pm 20 nm >28 dB for 1550 nm \pm 20 nm</p> <p>The return loss includes optical reflection contributions from the device under test's SC-SPC connector interface with the user's PC style connector as well as all other optical reflections from that interface up to and including the device under test's final photo diode termination.</p>
Peak-to-peak aberrations in response to falling edge, typical	11% peak-to-peak total aberration (system including O/E-to-CH1 input adapter, and instrument)
Maximum falling edge 10% to 2% settling time (ORR disabled), typical	The step response to a fast optical square OFF edge reaches toc within 2% of the final 0% level within 2 ns after the 10% transition point.
Smallest average power for mask test (sensitivity), typical	<p>1310 nm and 1550 nm: 40 μW peak-to-peak. 20 μW (-17 dBm) average power assuming 50% average duty cycle</p> <p>780 nm and 850 nm: 80 μW peak-to-peak. 40 μW (-14 dBm) average power assuming 50% average duty cycle</p> <p>Assumes the scale factor is set to minimum $\mu\text{W}/\text{div}$ settings and signal is at least 2 divisions peak-to-peak</p>
Optical scale factor range	<p>10 μW per division to 500 μW per division</p> <p>Optical reference receiver typically available from the following scale factors: 1310 nm and 1550 nm: 13.5 μW per division to 66 μW per division 850 nm: 25 μW per division to 125 μW per division 780 nm: 28 μW per division to 142 μW per division</p>

¹ All specifications are with the O/E electrical out-to-CH1 input adapter installed.

Table 1-9: Data storage specifications

Characteristic	Description
Nonvolatile memory retention time, typical	≥ 5 years
Floppy disk	3.5 in floppy disk drive, 1.44 MB capacity
Hard disk	Removeable hard disk drive, ≥ 20 GB capacity
CD-RW	CD-RW drive
Windows memory	1 GB

Table 1-10: Power source specifications

Characteristic	Description
Power consumption	≤ 600 Watts (900 VA)
Source voltage and frequency	100 to 240 V ± 10%, 50 Hz to 60 Hz 115 V ± 10%, 400 Hz CAT II
Fuse rating	Either one of the following sizes can be used, each size requires a different fuse cap. Both fuses must be the same type. Line and Neutral are fused.
0.25 in × 1.25 in size	UL198G and CSA C22.2, No. 59, fast acting: 8 A, 250 V (Tektronix part number 159-0046-00, Bussman ABC-8, Littelfuse 314008)
5 mm × 20 mm size	IEC127, sheet 1, fast acting “F”, high breaking capacity: 6.3 A, 250 V (Tektronix part number 159-0381-00, Bussman GDA 6.3, Littelfuse 21606.3)

Table 1- 11: Mechanical specifications

Characteristic	Description	
Weight		
Benchtop configuration	17.7 kg (39 lbs) instrument only 19.1 kg (42 lbs) with fully accessorized pouch 38.8 kg (85.5 lbs) when packaged for domestic shipment	
Rackmount kit	18.6 kg (41 lbs) rackmounted instrument 5.6 kg (12.5 lbs) kit packaged for domestic shipment	
Dimensions		
Benchtop configuration	With front cover	Without front cover
	278 mm (10.95 in) height 330 mm (13 in) with feet extended 455 mm (17.9 in) width 435 mm (17.13 in) depth	277 mm (10.9 in) height 330 mm (13 in) with feet extended 455 mm (17.9 in) width 426 mm (16.75 in) depth
Rackmount configuration (Option 1R)	With rack handles	Without rack handles
	267 mm (10.5 in) height 502 mm (19.75 in) width 486 mm (19.13 in) depth	267 mm (10.5 in) height 482 mm (19 in) width 435 mm (17.13 in) depth
Cooling	Fan-forced air circulation with no air filter	
Required clearances	Top	0 mm (0 in)
	Bottom	19 mm (0.75 in) minimum or 0 mm (0 in) when standing on feet, flip stands down
	Left side	76 mm (3 in)
	Right side	76 mm (3 in)
	Front	0 mm (0 in)
	Rear	0 mm (0 in) on rear feet
Construction material	Chassis parts are constructed of aluminum alloy, front panel is constructed of plastic laminate, circuit boards are constructed of glass laminate, and the outer shell is molded and textured from a polycarbonate/ABS blend	

Table 1-12: Environmental specifications

Characteristic	Description
Temperature, operating	+5 °C to +50 °C (41 °F to +122 °F), excluding floppy disk and compact disk drives +10 °C to +45 °C (50 °F to +113 °F), including floppy disk and compact disk drives
Nonoperating	-22 °C to +60 °C (71 °F to +140 °F)
Humidity, operating	20% to 90% relative humidity with a maximum wet bulb temperature of +29 °C (+84 °F) at or below +50 °C (+122 °F), noncondensing Upper limit derates to 25% relative humidity at +50 °C (+122 °F)
Nonoperating	With no diskette in floppy disk drive 20% to 90% relative humidity with a maximum wet bulb temperature of +29 °C (+84 °F) at or below +60 °C (+140 °F), noncondensing Upper limit derates to 20% relative humidity at +60 °C (+140 °F)
Altitude, operating	3,048 m (10,000 ft.)
Nonoperating	12,190 m (40,000 ft.)
Random vibration, operating	0.24 g _{RMS} from 5 Hz to 500 Hz, 10 minutes on each axis, 3 axis, 30 minutes total, with floppy disk and compact disk installed
Nonoperating	2.28 g _{RMS} from 5 Hz to 500 Hz, 10 minutes on each axis, 30 minutes total, 3 axis

Certifications and Compliances

EC Declaration of Conformity - EMC

Meets intent of Directive 89/336/EEC for Electromagnetic Compatibility. Compliance was demonstrated to the following specifications as listed in the Official Journal of the European Communities:

EN 61326. EMC requirements for Class A electrical equipment for measurement, control, and laboratory use. Annex D.^{1 2}

- IEC 61000-4-2. Electrostatic discharge immunity
- IEC 61000-4-3. RF electromagnetic field immunity³
- IEC 61000-4-4. Electrical fast transient / burst immunity
- IEC 61000-4-5. Power line surge immunity
- IEC 61000-4-6. Conducted RF Immunity³
- IEC 61000-4-11. Voltage dips and interruptions immunity

EN 61000-3-2. AC power line harmonic emissions

EN 61000-3-3. Voltage changes, fluctuations, and flicker

Australia / New Zealand Declaration of Conformity - EMC

Complies with EMC provision of Radiocommunications Act per these standard(s):

- AS/NZS 2064.1/2. Industrial, Scientific, and Medical Equipment: 1992

- ¹ Emissions which exceed the levels required by this standard may occur when this equipment is connected to a test object.
- ² If interconnect cables are used, they must be low-EMI shielded cables such as the following Tektronix part numbers or their equivalents: 012-0991-00, 012-0991-01, 012-0991-02 or 012-0991-03 GPIB Cable; 012-1213-00 (or CA part number 0294-9) RS-232 Cable; 012-1214-00 Centronics Cable; or LCOM part number CTL3VGAMM-5 VGA Cable.
- ³ Under these conditions, the specifications are amended as follows:
10 mV/division to 1 V/division: ≤ 0.4 division waveform displacement or ≤ 0.8 division increase in peak-to-peak noise
5 mV/division and 2 mV/division, typical: ≤ 8 mV increase in peak-to-peak noise

EC Declaration of Conformity - Low Voltage

Compliance was demonstrated to the following specification as listed in the Official Journal of the European Communities:

Low Voltage Directive 73/23/EEC, amended by 93/68/EEC.

- EN 61010-1:2001. Safety requirements for electrical equipment for measurement control and laboratory use.

**U.S. Nationally
Recognized Testing
Laboratory Listing
Canadian Certification**

- UL 61010B-1:2003. Standard for electrical measuring and test equipment.

- CAN/CSA C22.2 No. 1010.1:1997. Particular requirements for electrical equipment for measurement, control, and laboratory use. Part 1.

Additional Compliance

- IEC 61010-1:2001. Safety requirements for electrical equipment for measurement, control, and laboratory use.

Equipment Type

Test and measuring equipment.

Safety Class

Class 1 - grounded product

Pollution Degree Descriptions

A measure of the contaminates that could occur in the environment around and within a product. Typically the internal environment inside a product is considered to be the same as the external. Products should be used only in the environment for which they are rated.

- Pollution Degree 1. No pollution or only dry, nonconductive pollution occurs. Products in this category are generally encapsulated, hermetically sealed, or located in clean rooms.
- Pollution Degree 2. Normally only dry, nonconductive pollution occurs. Occasionally a temporary conductivity that is caused by condensation must be expected. This location is a typical office/home environment. Temporary condensation occurs only when the product is out of service.
- Pollution Degree 3. Conductive pollution, or dry, nonconductive pollution that becomes conductive due to condensation. These are sheltered locations where neither temperature nor humidity is controlled. The area is protected from direct sunshine, rain, or direct wind.
- Pollution Degree 4. Pollution that generates persistent conductivity through conductive dust, rain, or snow. Typical outdoor locations.

Pollution Degree

Pollution Degree 2 (as defined in IEC 61010-1). Note: Rated for indoor use only.

**Installation (Overvoltage)
Category Descriptions**

Terminals on this product may have different installation (overvoltage) category designations. The installation categories are:

- Measurement Category IV. For measurements performed at the source of low-voltage installation.
- Measurement Category III. For measurements performed in the building installation.
- Measurement Category II. For measurements performed on circuits directly connected to the low-voltage installation.
- Measurement Category I. For measurements performed on circuits not directly connected to MAINS.

Overvoltage Category

Overvoltage Category II (as defined in IEC 61010-1)



Operating Information

Operating Information

This chapter covers installation information and basic operation instructions.

Installation

The basic operating software is already installed on the hard disk. Refer to *Software Installation* on page 2-5 for instructions on reinstalling the software.

Before You Start

Verify that all parts and accessories for the instrument are available. Use the graphical packing list that came with the oscilloscope to determine the necessary parts and accessories. You should also verify that the following items are available:

- The correct power cords
- The product-software CD set that includes installation copies of the software installed on the instrument
- All the accessories necessary to operate the instrument

Environmental Considerations

The instrument is designed to operate on a bench or on a cart in the normal position (on the bottom feet). For proper cooling, at least three inches (7.62 cm) of clearance is required on both sides of the instrument, and the bottom requires the clearance provided by the instrument feet.

If you operate the instrument while it is resting on the rear feet, make sure that you properly route any cables coming out of the rear of the instrument to avoid damaging them.



CAUTION. *Keep the bottom and sides of the instrument clear of obstructions to ensure proper cooling.*

Tables 1-10 and 1-12 on pages 1-25 and 1-27 list the operating requirements for the instrument. Power source, temperature, humidity, and altitude are listed.

Connect the Peripherals

The peripheral connections are the same as those you would make on a personal computer. The connection points are shown in Figure 2-1 on page 2-3. See Table 2-1 for additional connection information.

Table 2-1: Additional accessory connection information

Item	Description
Monitor	If you use a non-standard monitor, you may need to change the the display settings to achieve the proper resolution for your monitor.
Printer	Connect the printer to the EPP (enhanced parallel port) connector directly. If your printer has a DB-25 connector, use the adapter cable that came with your printer to connect to the EPP connector. For information on printer usage, see <i>Printing Waveforms</i> in your user instrument manual.
Rackmount	Refer to the CSA7000 & TDS7000B Series Rackmount Installation Instructions for information on installing the rackmount kit.
Other	Refer to the Application release notes on your product CD set for possible additional accessory installation information not covered in this manual.



WARNING. Before installing accessories to connectors (mouse, keyboard, etc.), power off the instrument. See Powering Off the Instrument on page 2-5.

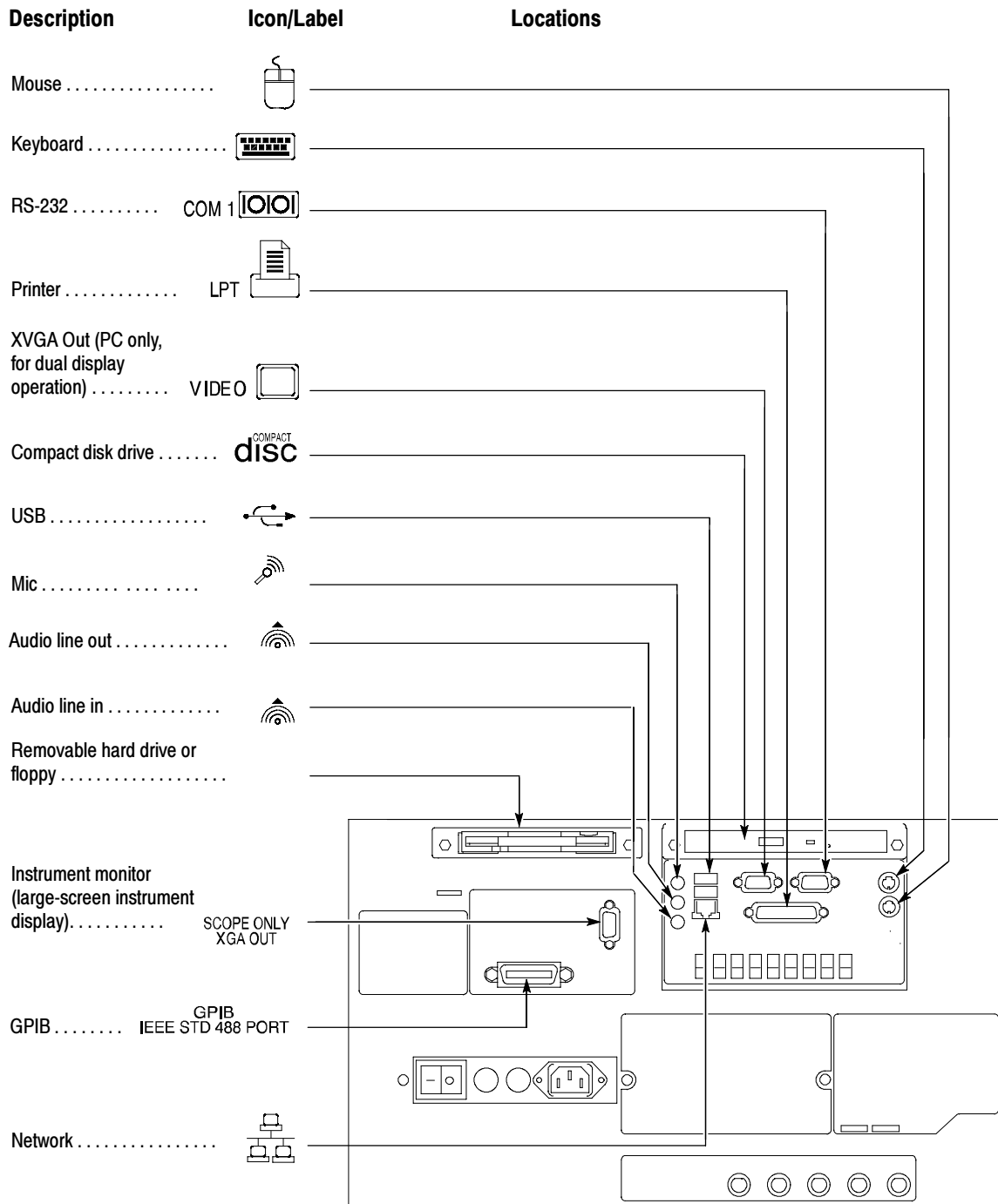


Figure 2-1: Locations of peripheral connectors on rear panel

Power On the Instrument

Follow these steps to power on the instrument.

1. Check that the line fuses are correct for your application. Both fuses must be the same rating and type. Fuse types require a unique cap and fuseholder. See Table 2-2 and Figure 2-2.

Table 2-2: Line fuses

Fuse type	Rating	Fuse part number	Cap & fuseholder part number
0.25 x 1.250 inch	8 A, fast blow, 250 V	159-0046-00	200-2264-00
5 x 20 mm	6.3 A, fast blow, 250 V	159-0381-00	200-2265-00

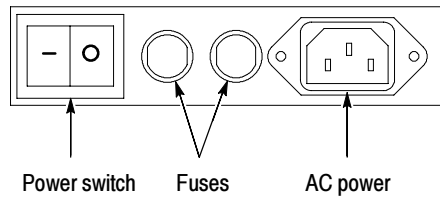


Figure 2-2: Line fuse and power cord connector locations, rear panel



CAUTION. Connect the keyboard, mouse, and other accessories before applying power to the product.

2. Connect the power cord.
3. If you have an external monitor, connect the power cord and power on the monitor.
4. Turn the Power switch on at the rear panel. (See Figure 2-2 for switch location.)
5. If the instrument does not power on, press the On/Standby switch to power on the instrument (see Figure 2-3 for the switch location).
6. Wait for the boot routine and low-level self test to complete.

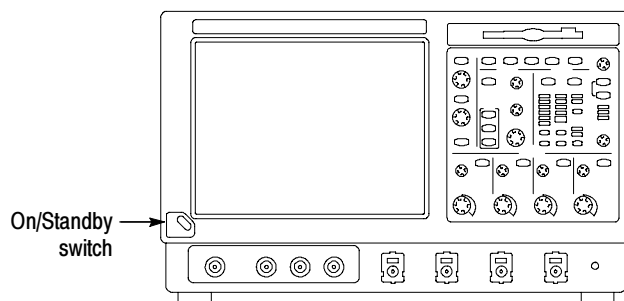


Figure 2-3: On/Standby switch location

Powering Off the Instrument

The instrument has a built-in On/Standby function that removes power from most circuitry in the instrument when you press the On/Standby switch.

To completely remove power to the instrument, perform the shutdown just described, and then set the power switch on the rear panel to off.

Software Installation

This section describes how to install the system software found on the product-software CD that accompanies this product. The instrument ships with the product software installed, so only perform these procedures if reinstallation becomes necessary.

Software Release Notes. Read the software release notes README.TXT ASCII file on the product-software CD before performing installation procedures. This file contains additional installation and operation information that supersedes other product documentation.

To view the README.TXT file, open the Notepad Windows accessory and open the file on the product-software CD. After installation, you can also read the copy from a directory on the product:

```
C:\Program Files\TekScope\ReadMe.txt
```

Operating System Restoration. Use the procedure that accompanies your *Operating System Restore* CD should reinstalling system software become necessary.

The compact disc contains the files necessary to restore the Windows operating system and necessary drivers for the instrument.

The Windows operating system and drivers are factory installed on the instrument hard disk. The compact disc serves as a backup in the event that you have to rebuild the hard drive. You must restore the Windows operating system before you can install the oscilloscope firmware and other product software.

Application Installation. Use the procedures that accompany your *Product Software* CD should reinstalling the instrument application software become necessary.

The compact disc contains the files necessary to restore the instrument application and other software for the instrument.

Software Lock for Upgrades. You can use the LockUpgrades utility to prevent users from installing unauthorized firmware upgrades on the instrument. This utility requires that a user enter a password before an upgrade can be installed. To use the utility, run the LockUpgrades.exe file, and follow the on-screen instructions. The LockUpgrades.exe file is in the following directory:

C:\Program Files\Tektronix\TekScope

NOTE. Using the OS Restore CD to reinstall the operating system resets the LockUpgrades utility to the default setting and allows firmware upgrades.

Operating Information

This section covers basic operation information so that you can operate and prepare to service the instrument.

Back Up User Files

You should always back up your user files on a regular basis. Use the Microsoft Backup tool to back up files stored on the hard disk. The Backup tool is located in the System Tools folder in the Accessories folder.

1. Minimize the instrument application by selecting Minimize from the File menu.
2. Select the Windows Start button, point to Programs, Accessories, System Tools, and then click Backup.
3. Use the Microsoft Backup tool to select your backup media and to select the files and folders that you want to back up. Use the online help for information on using the Backup tool. You can back up to the floppy drive, or to a third-party storage device over the printer port (rear panel).

User Interface Map

This section shows the main parts of the user interface.

The following illustration shows the instrument in the Menu bar mode. All features of the instrument can be accessed through the menus using a mouse or the touch screen.

When the instrument is in the Tool bar mode, most of the control windows can be accessed by touching buttons at the top of the display.

Menu Bar: Access to data I/O, printing, online help system, and oscilloscope functions here

Status Bar: Display of acquisition status, mode, and number of acquisitions; trigger status; date; and time

Waveform Handle: Touch and drag to change vertical position of waveform. Touch the handle and change the position and scale using the multipurpose knobs

Display: Live, reference, & math waveforms display here, along with cursors

Controls Status: Quick reference to vertical, horizontal, and trigger selections, scale, and parameters

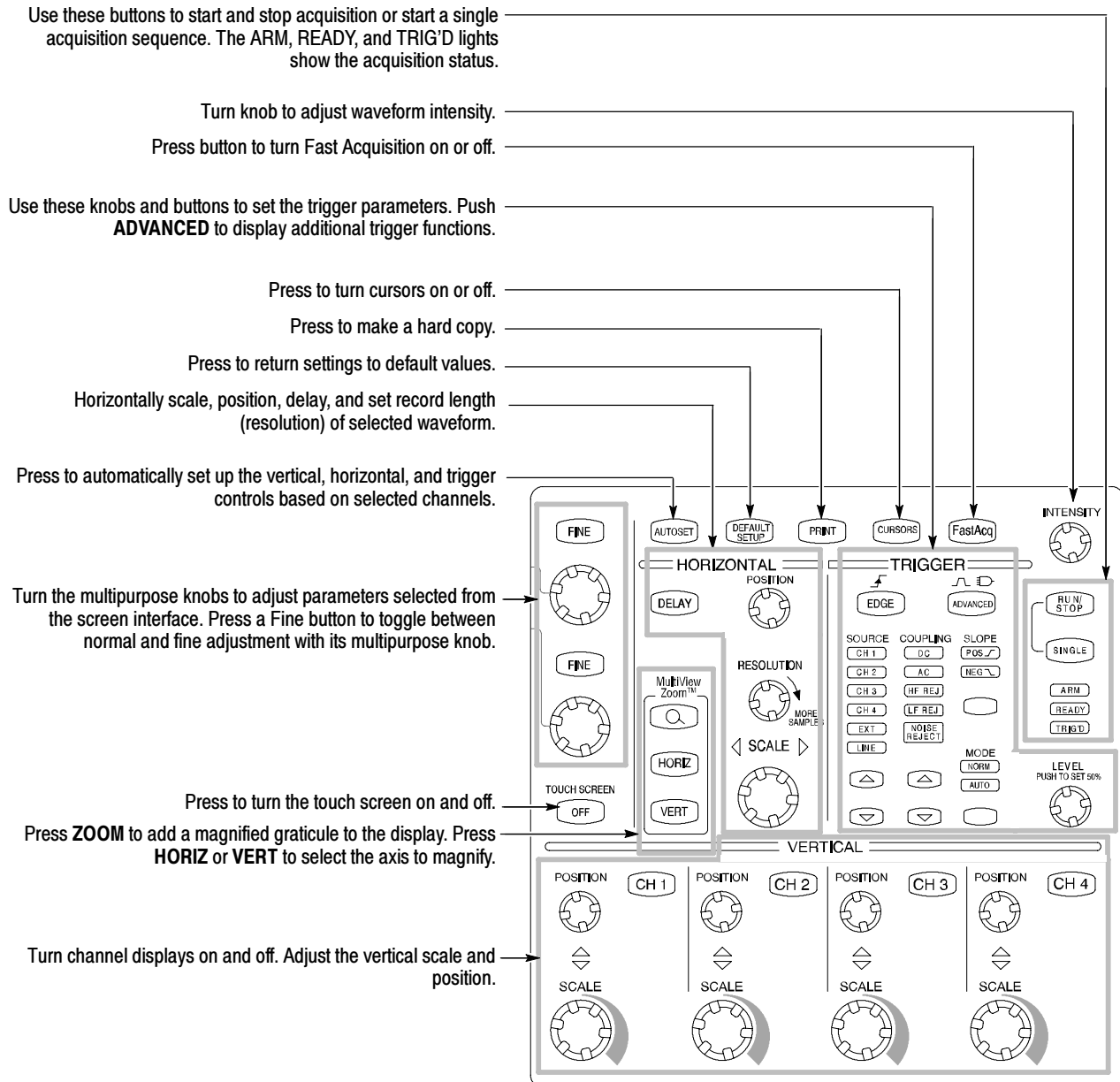
Buttons/Menu: Touch to toggle between tool-bar and menu-bar modes

Multipurpose Knob Readouts: Adjust parameters controlled by multipurpose knobs

Readouts: Display cursor readouts and measurement readouts in this area, selectable from the menu bar or tool bar

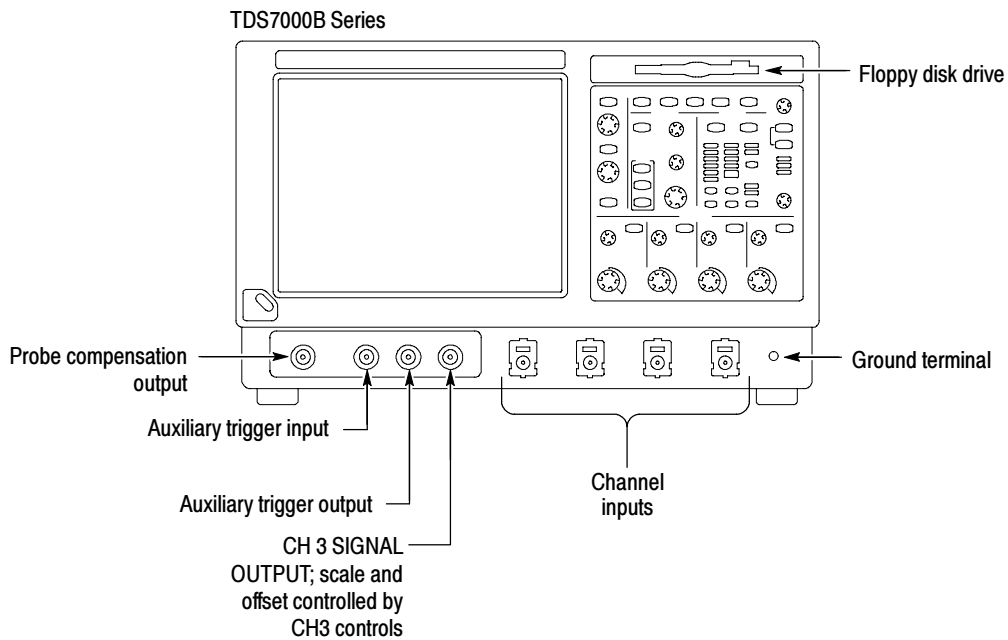
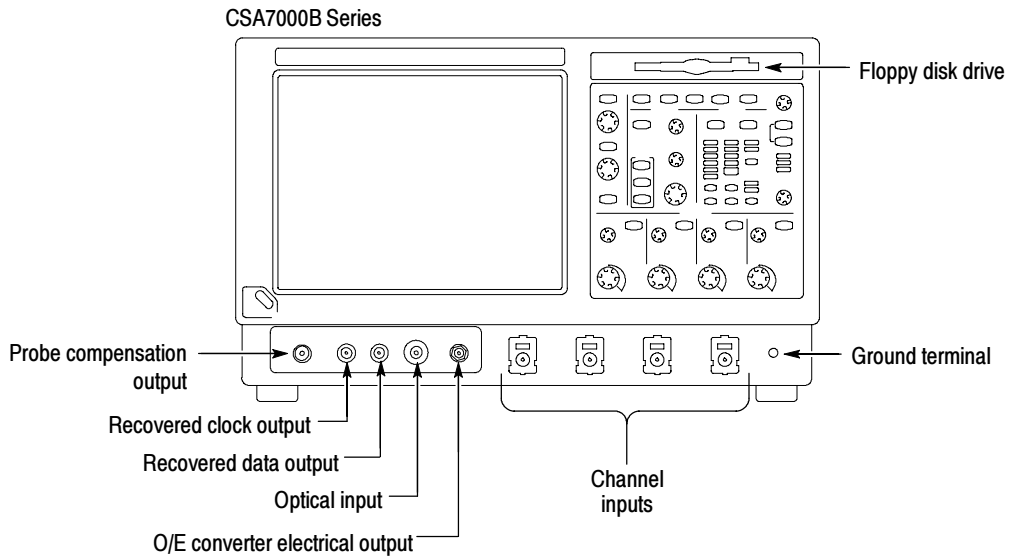
Front Panel Controls Map

Many of the instrument functions can be controlled directly from the front panel controls or in conjunction with the touch-screen interface.



Front Panel I/O Map

The following illustration shows the input/output connectors and floppy disk drive location.



Instrument Diagnostics

Do the following steps to verify the instrument passes the internal diagnostics.

1. Display the diagnostics menu:
 - If the oscilloscope is in tool bar mode, touch the **MENU** button to put the instrument into the menu bar mode.
 - Select **Instrument Diagnostics . . .** from the **Utilities** menu.
2. Run the diagnostics.
 - First disconnect any input signals from all four channels.
 - Touch the **Run** button in the diagnostics control window.
3. Wait for the diagnostics to complete.

The internal diagnostics do an exhaustive verification of proper oscilloscope function. This verification may take several minutes to complete. When the verification is finished, the resulting status will appear in the diagnostics control window.

4. Verify that no failures are found.

Signal Path Compensation

Run the Signal Path Compensation.

1. Select **Instrument Calibration . . .** from the **Utilities** menu.
2. Verify that the instrument has had a twenty-minute warm-up before continuing.
3. Touch the **Calibrate** button to start the routine.
4. Wait for the test to complete (the test may take several minutes to complete).
5. Verify that the word **Pass** appears under the Status label in the control window.

Using the Online Help

The user manual represents only part of the assistance available to you — the online help system, integrated as part of the instrument user interface, provides quick-to-access support for operating this instrument.

Two types of online help are available, the instrument online help and the GPIB online programmer's help. The instrument online help provides information on all of the instrument controls and procedures for doing typical tasks. The GPIB online programmer's help is normally installed on a remote PC and provides information for controlling the instrument via the GPIB. This section mainly discusses the online help for the instrument.

Accessing Help in the Tool Bar Mode. When the instrument is in the tool bar mode, touch the Help button in the upper right corner of the screen to display help on whatever control window is displayed. From within the Help window, you can access other help through tabs, links, or buttons. You can also touch the Help Topics button to display the standard Windows Contents, Index, and Find tabs.

Accessing Help in the Menu Bar Mode. When the instrument is in the menu bar mode, you can access the help system from the drop-down help menu. Select Help on Window to display help on the current control window. Select Contents and Index to display the standard Windows Contents, Index, and Find tabs. You can also select other topics from the Help menu such as information on Technical Support or product specifications.

Moving the Help Topics to View the Instrument Display. You may temporarily move any displayed help out of the way while you change control window settings. Touch the Minimize button in the help window to shrink the help window to a button that displays in the upper right corner of the display (with the label Restore Help). Touch the Restore Help button to restore the help window to its normal size.



Theory of Operation

Theory of Operation

This section describes the electrical operation of the instrument. Figure 9-1 on page 9-2 shows the module interconnections.

Logic Conventions

The instrument contains many digital logic circuits. This manual refers to these circuits with standard logic symbols and terms. Unless otherwise stated, all logic functions are described using the positive-logic convention: the more positive of the two logic levels is the high (1) state, and the more negative level is the low (0) state. Signal states may also be described as “true” meaning their active state or “false” meaning their nonactive state. The specific voltages that constitute a high or low state vary among the electronic devices.

Module Overviews

Module overviews describes the basic operation of each functional circuit block as shown in Figure 9-1 on page 9-2.

A dual-processor system controls the instrument. The instrument features an XGA resolution flat-panel display, a transparent touch screen, and a front-panel with direct access to commonly used instrument functions. You can also use the instrument with a mouse pointing device or keyboard.

Input Signal Path

A signal enters the instrument through a direct coaxial connection to the input connector, or a probe connected to the front panel.

Acquisition Board. The acquisition board conditions the input signals, samples them, converts them to digital signals, and controls the acquisition process under direction of the processor system. The acquisition system includes the multi-source trigger, acquisition timebase, and acquisition mode generation and control circuitry. The acquisition board is located in the bottom compartment of the instrument. Four vertical channels are accommodated. All channels feature a TekConnect interface for additional front-end signal conditioning functions.

O/E Converter Board. The optical-to-electrical converter (CSA7000B Series only) board converts optical signals at its input to electrical signals. The electrical signals are connected to the CH1 input using an adapter.

Processor System. The processor system contains two processor boards with microprocessors that control the entire instrument. The basic configuration supports four input channels labeled Ch1 through Ch 4, provides an external trigger input, a trigger output, a Ch3 signal output, and a probe compensation output.

Each acquisition channel is equipped with a processor that uses its own host interface to interface to the GCS which in turn communicates with the command interface processor over the multiplexed address/data nibble bus.

Display Panel Waveforms and menus are displayed on a color, active-matrix LCD display with touch panel.

Display System. Text and waveforms are processed by different parts of the display circuitry. The display system (display adapter board and inverter board) sends the text and waveform information to the display panel.

Touch Panel. The display board sends information from the touch panel to the processor. Any changes in settings are reported to the processor system.

Front Panel The ATX board reads the front-panel switches and encoders. Any changes in their settings are reported to the processor system. The ATX board also turns the LEDs on and off.

Menu Switches. Front-panel menu switches are also read by the ATX board. The touch screen processor sends any changes in menu selections to the ATX processor system. The **ON/STBY** switch passes through the CPU board to the ATX board. The ATX board creates the signal sent to the power supply to toggle power.

Floppy Drive. The floppy drive provides access to stored waveform data and software to customize your instrument.

CPU Board. The CPU board provides fast access to the Acquisition board and the display system. The ATX board reads the front-panel switches and encoders and implements any changes requested by their settings. The CPU board provides a GPIB interface through a rear panel connector.

ATX Board. The ATX board provides standard Windows functionality and I/O port interfaces to the rear panel.

Bridge Board. Both processor systems and the display system are connected together by, and communicate through, the bridge board.

Rear Panel The hard drive and CD provide access to stored waveform data and software to customize your instrument with your measurement needs. The GPIB allows for external control of the instrument.

You can make hardcopies on the GPIB, RS-232, and Centronics ports. Another port from the CPU board: cal adjust lock.

The ATX board has two USB ports and one serial port on the rear panel. The ATX has 2 USB channels, but one is used internally and is not available for use. The ATX has one serial port, which is routed to the rear panel. A microphone input and earphone output exist on the ATX rear panel. Ethernet connector is RJ-45. Keyboard and mouse are both PS/2.

Low Voltage Power Supply The low voltage power supply is a switching power converter with active power factor control. It supplies power to all of the circuitry in the instrument.

The principal **POWER** switch, located on the rear panel, controls all power to the instrument including the Low Voltage Power Supply. The **ON/STBY** switch, located on the front panel, also controls all of the power to the instrument except for part of the circuitry in the standby power supply.

The power supply sends a power fail (~PF) warning to the processor system if the power is going down.

Power is distributed throughout the instrument through the front and rear power distribution bus boards.

Fans The fan assembly provides forced air cooling for the instrument. The fans are controlled by the CPU and microprocessor.



Performance Verification

Performance Verification

Two types of Performance Verification procedures can be performed on this product: *Brief Procedures* and *Performance Tests*. You may not need to perform all of these procedures, depending on what you want to accomplish.

- To rapidly confirm that the instrument functions and was adjusted properly, just do the brief procedures under *Self Tests*, which begin on page 4-5.

Advantages. These procedures are quick to do, require no external equipment or signal sources, and perform extensive functional and accuracy testing to provide high confidence that the instrument will perform properly. They can be used as a quick check before making a series of important measurements.

- To further check functionality, first do the *Self Tests* just mentioned; then do the brief procedures under *Functional Tests* that begin on page 4-6.

Advantages. These procedures require minimal additional time to perform, require no additional equipment other than a BNC cable and BNC-to-SMA adapter or a TCA-BNC adapter, and these procedures more completely test the internal hardware of the instrument. They can be used to quickly determine if the instrument is suitable for putting into service, such as when it is first received.

- If more extensive confirmation of performance is desired, do the *Performance Tests*, beginning on page 4-17, after doing the *Functional* and *Self Tests* mentioned above.

Advantages. These procedures add direct checking of the warranted specifications that are marked with the ✓ symbol. These procedures require specific test equipment. (See *Table 4-2: Test equipment* on page 4-18).

If you are not familiar with operating this instrument, read the instrument reference or user manuals or explore the online help.

Conventions

Throughout these procedures the following conventions apply:

- Each test procedure uses the following general format:

Title of Test

Equipment Required

Prerequisites

Procedure

- Each procedure consists of as many steps, substeps, and subparts as required to do the test. Steps, substeps, and subparts are sequenced as follows:

1. First Step

- a. First Substep

- First Subpart

- Second Subpart

- b. Second Substep

2. Second Step

- In steps and substeps, the lead-in statement in italics instructs you what to do, while the instructions that follow tell you how to do it, as in the example step below:

Initialize the instrument: Push the front-panel **DEFAULT SETUP** button.

STOP. *The **STOP** notation at the left is accompanied by information you must read to do the procedure properly.*

- The term “toolbar” refers to a row of buttons at the top of the display. The term “menu bar” refers to a row of menus at the top of the display. You can switch between toolbar and menu bar operating modes by pushing the button near the top right corner of the display. See Figure 4-1.

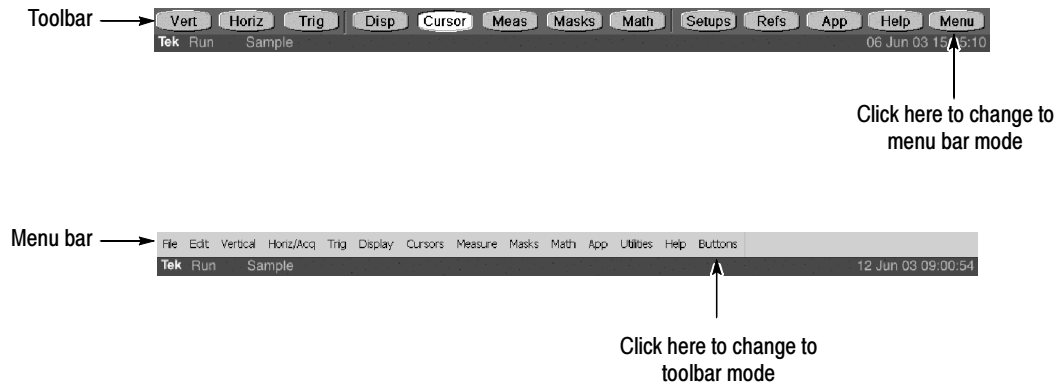


Figure 4-1: Toolbar and menu bar (CSA7000B Series shown)

- The procedures assume you have connected a mouse to the instrument so you can click on the screen controls. If you have not connected a mouse, you can use the touch screen to operate all the screen controls.

Brief Procedures

The *Self Tests* use internal routines to confirm basic functionality and proper adjustment. No test equipment is required to do these test procedures.

The *Functional Tests* utilize the probe-compensation output at the front panel as a test-signal source for further verifying that the instrument functions properly. A BNC cable and a BNC-to-SMA adaptor or a TCA-BNC adapter are required to do these test procedures.

Self Tests

This procedure uses internal routines to verify that the instrument functions and was adjusted properly. No test equipment or hookups are required.

Verify Internal Adjustment, Self Compensation, and Diagnostics

Equipment required	None
Prerequisites	Power on the instrument and allow a 20 minute warm-up before doing this procedure.

1. *Verify that internal diagnostics pass:* Do the following substeps to verify passing of internal diagnostics.
 - a. *Display the System diagnostics menu:*
 - If the instrument is in toolbar mode, click the **MENU** button to put the instrument into menu bar mode.
 - Pull down the **Utilities** menu and select **Instrument Diagnostics. . .** This displays the diagnostics control window.
 - b. *Run the System Diagnostics:*
 - First disconnect any input signals from all four channels.
 - Click the **Run** button in the diagnostics control window.
 - c. *Wait:* The internal diagnostics do an exhaustive verification of proper instrument function. This verification may take several minutes. When the verification is finished, the resulting status will appear in the diagnostics control window.

NOTE. *If diagnostic error message 512 is displayed, run signal-path compensation and then rerun Instrument Diagnostics.*

- d. *Verify that no failures are found and reported on-screen. All tests should pass.*
 - e. *Run the signal-path compensation routine:*
 - Pull down the **Utilities** menu and select **Instrument Calibration**. . . This displays the instrument calibration control window.
 - If required because the instrument is in service mode, select the **Signal Path** button under Calibration Area.
 - Click the **Calibrate** button to start the routine.
 - f. *Wait:* Signal-path compensation may take five to fifteen minutes to run.
 - g. *Confirm signal-path compensation returns passed status:* Verify that the word **Pass** appears in the instrument calibration control window.
2. *Return to regular service:* Click the **Close** button to exit the instrument calibration control window.

Functional Tests

The purpose of these procedures is to confirm that the instrument functions properly. The only equipment required is a P7240 probe (P7260 probe with TDS7704B), a probe calibration and deskew fixture, a BNC cable, BNC-to-SMA adapter or TCA-BNC adapter, and, to check the file system, a 3.5 inch, 1.44 Mbyte, formatted floppy disk.

STOP. *These procedures verify functions; that is, they verify that the instrument features operate. They do not verify that they operate within limits.*

Therefore, when the instructions in the functional tests that follow call for you to verify that a signal appears on-screen “that is about five divisions in amplitude” or “has a period of about six horizontal divisions,” etc., do NOT interpret the quantities given as limits. Operation within limits is checked in Performance Tests, which begin on page 4-17.

STOP. *DO NOT* make changes to the front-panel settings that are not called out in the procedures. Each verification procedure will require you to set the instrument to certain default settings before verifying functions. If you make changes to these settings, other than those called out in the procedure, you may obtain invalid results. In this case, just redo the procedure from step 1.

When you are instructed to press a front-panel or screen button, the button may already be selected (its label will be highlighted). If this is the case, it is not necessary to press the button.

Verify All Input Channels

Equipment required	One P7240 probe (P7260 probe for TDS7704B) One 067-0405-xx (067-0484-xx for TDS7704B) probe calibration and deskew fixture One BNC cable, such as Tektronix part number 012-0076-xx or the cable that came with the deskew fixture (012-0208-xx)
Prerequisites	None

1. *Initialize the instrument:* Push the front-panel **DEFAULT SETUP** button.
2. *Hook up the signal source:* Connect the equipment as shown in Figure 4-2 to the channel input you want to test (beginning with CH 1).

NOTE. *If a probe is not available, connect the probe compensation output to the channel input using a BNC cable and adapters.*

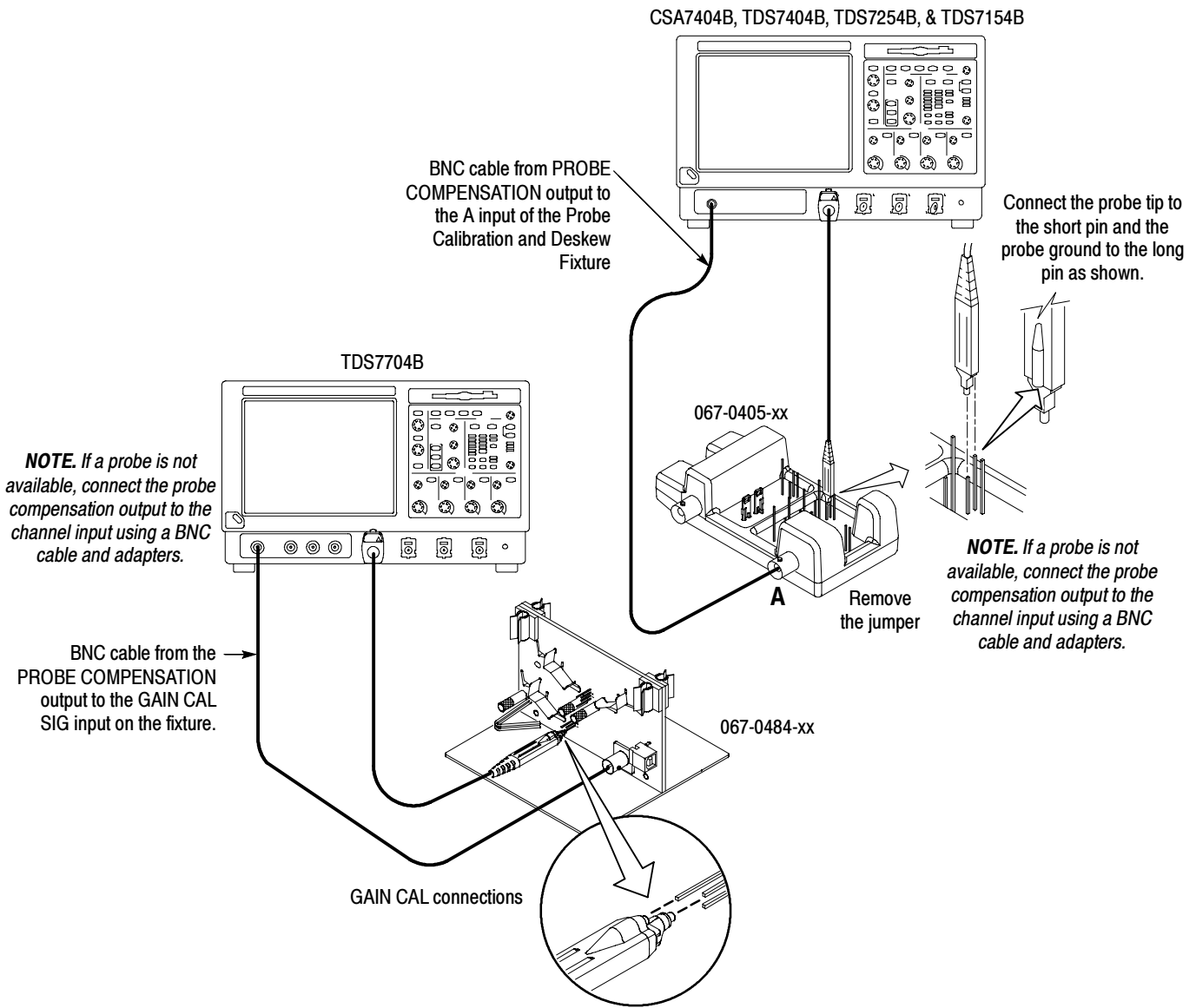


Figure 4-2: Universal test hookup for functional tests - CH 1 shown

3. *Turn off all channels:* If any of the front-panel channel buttons are lighted, push those buttons to turn off the displayed channels. See Figure 4-3.

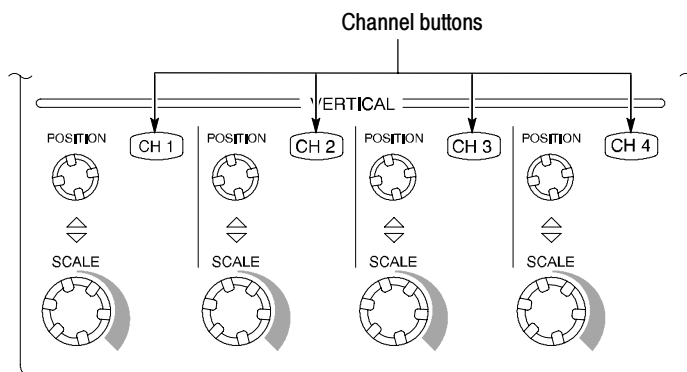


Figure 4-3: Channel button location

4. *Select the channel to test:* Push the channel button for the channel you are currently testing. The button lights and the channel display comes on.
5. *Set up the instrument:*
 - Push the front panel **AUTOSET** button. This sets the horizontal and vertical scale and vertical offset for a usable display and sets the trigger source to the channel you are testing.
 - Pull down the **Vert** menu, select Vertical Setup, and then touch **Offset**. Confirm that the Ch1 Offset is about **-0.18 to -0.54 V**, depending on the probe used (0.0 V if not using a probe).
6. *Verify that the channel is operational:* Confirm that the following statements are true.
 - Verify that the vertical scale readout and the waveform amplitude for the channel under test are as shown in Table 4-1.

Table 4-1: Vertical settings

Setting	CSA7404B, TDS7404B, TDS7254B, TDS7154B, & TDS7704B	
	With P7240 or P7260	Without probe
Scale	200 mV	200 mV
Waveform amplitude	5.2 divisions	-2.5 divisions

- The front-panel vertical **POSITION** knob (for the channel you are testing) moves the signal up and down the screen when rotated.

- Turning the vertical **SCALE** knob counterclockwise (for the channel you are testing) decreases the amplitude of the waveform on-screen, turning the knob clockwise increases the amplitude, and returning the knob to the original scale setting returns the amplitude to that shown in Table 4-1 for that scale setting.
- 7. *Verify that the channel acquires in all acquisition modes:* Pull down the **Horiz/Acq** menu to select **Horizontal/Acquisition Setup**. . . . Click the **Acquisition** tab in the control window that displays. Click each of the acquisition modes and confirm that the following statements are true.
 - Sample mode displays an actively acquiring waveform on-screen. (Note that there is a small amount of noise present on the square wave).
 - Peak Detect mode displays an actively acquiring waveform on-screen with the noise present in Sample mode “peak detected.”
 - Hi Res mode displays an actively acquiring waveform on-screen with the noise that was present in Sample mode reduced.
 - Average mode displays an actively acquiring waveform on-screen with the noise reduced.
 - Envelope mode displays an actively acquiring waveform on-screen with the noise displayed.
 - Waveform Database mode displays an actively acquiring waveform on-screen with the noise displayed.
- 8. *Test all channels:* Repeat steps 2 through 7 until all four input channels are verified.
- 9. *Remove the test hookup:* Disconnect the equipment from the channel input and the probe compensation output.

Verify the Time Base

Equipment required	One BNC cable, such as Tektronix part number 012-0076-00 One TCA-BNC adapter
Prerequisites	None

1. *Initialize the instrument:* Push the front-panel **DEFAULT SETUP** button.
2. *Hook up the signal source:* Connect the BNC cable from the probe compensation output to the CH 1 input through a TCA-BNC adapter as shown in Figure 4-4.

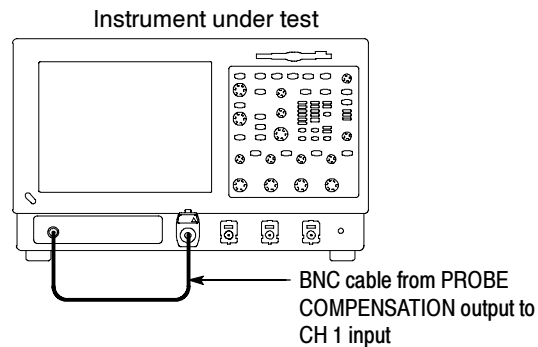


Figure 4-4: Setup for time base test

3. *Set up the instrument:* Push the front panel **AUTOSET** button.
4. Pull down the **Vert** menu, select Vertical Setup, and then touch **Offset**. Adjust the Ch1 Offset to **-0.25 V** using the multipurpose knob.
5. Set the **Vertical SCALE** to **100 mV** per division.
6. *Set the time base:* Set the horizontal **SCALE** to **200 $\mu\text{s}/\text{div}$** . The time-base readout is displayed at the bottom of the graticule.
7. *Verify that the time base operates:* Confirm the following statements.
 - One period of the square-wave probe-compensation signal is about five horizontal divisions on-screen for the 200 $\mu\text{s}/\text{div}$ horizontal scale setting.
 - Rotating the horizontal **SCALE** knob clockwise expands the waveform on-screen (more horizontal divisions per waveform period), counter-clockwise rotation contracts it, and returning the horizontal scale to 200 $\mu\text{s}/\text{div}$ returns the period to about five divisions.
 - The horizontal **POSITION** knob positions the signal left and right on-screen when rotated.
8. *Verify horizontal delay:*
 - a. *Center a rising edge on screen:*
 - Set the horizontal **POSITION** knob so that the rising edge where the waveform is triggered is lined up with the center horizontal graticule.
 - Change the horizontal **SCALE** to **20 $\mu\text{s}/\text{div}$** . The rising edge of the waveform should remain near the center graticule and the falling edge should be off screen.
 - b. *Turn on and set horizontal delay:*

- Pull down the **Horiz/Acq** menu to select **Horizontal/Acquisition Setup. . .**
 - Click the **Horizontal** tab in the control window that displays.
 - Click the **Delay Mode** button to turn delay on.
 - Double click the **Horiz Delay** control in the control window to display the pop-up keypad. Click the keypad buttons to set the horizontal delay to **1 ms** and then click the **ENTER** key.
- c. *Verify the waveform:* Verify that a rising edge of the waveform is within a few divisions of center screen.
- d. *Adjust the horizontal delay:* Rotate the upper multipurpose knob to change the horizontal delay setting. Verify that the rising edge shifts horizontally. Rotate the front-panel horizontal **POSITION** knob. Verify that this knob has the same effect (it also adjusts delay, but only when delay mode is on).
- e. *Verify the delay toggle function:*
- Rotate the front-panel horizontal **POSITION** knob to center the falling edge horizontally on the screen.
 - Change the horizontal **SCALE** to **40 ns/div**. The rising edge of the waveform should remain near the center graticule.
 - Readjust the delay setting to position the rising edge 2 divisions to the right of the center graticule line.
 - Push the front-panel **DELAY** button several times to toggle delay off and on and back off again. Verify that the display switches quickly between two different points in time (the rising edge shifts horizontally on the display).
9. *Remove the test hookup:* Disconnect the BNC cable from the channel input and the probe compensation output.

Verify the A (Main) and B (Delayed) Trigger Systems

Equipment required	One BNC cable, such as Tektronix part number 012-0076-00 One TCA-BNC adapter
Prerequisites	None

1. *Initialize the instrument:* Push the front-panel **DEFAULT SETUP** button.
2. *Hook up the signal source:* Connect the BNC cable from the probe compensation output to the CH 1 input through a TCA-BNC adapter as shown in Figure 4-5.

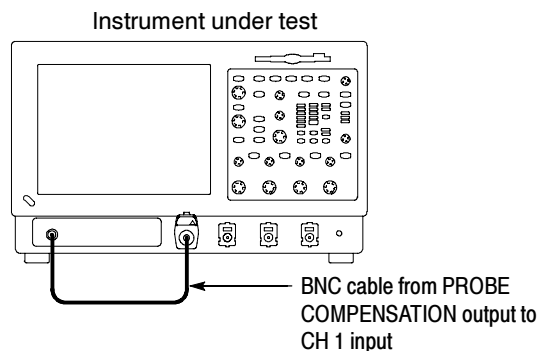


Figure 4-5: Setup for trigger test

3. *Set up the instrument:* Push the front-panel **AUTOSET** button.
4. Pull down the **Vert** menu, select **Vertical Setup**, and then touch **Offset**. Adjust the Ch1 Offset to **-0.25 V** using the multipurpose knob.
5. Set the **Vertical SCALE** to **100 mV** per division.
6. *Verify that the main trigger system operates:* Confirm that the following statements are true.
 - The trigger level readout for the A (main) trigger system changes with the trigger-**LEVEL** knob.
 - The trigger-**LEVEL** knob can trigger and untrigger the square-wave signal as you rotate it. (Leave the signal *untriggered*).
 - Pushing the front-panel trigger **LEVEL** knob sets the trigger level to the 50% amplitude point of the signal and triggers the signal that you just left untriggered. (Leave the signal triggered.)
7. *Verify that the delayed trigger system operates:*
 - a. *Set up the delayed trigger:*
 - Pull down the **Trig** menu and select **A — B Trigger Sequence. . .**. This displays the A→B Sequence tab of the trigger setup control window.
 - Click the **Trig After Time** button under A Then B.
 - Click the **B Trig Level** control in the control window.
 - Set the front-panel trigger mode to **NORM**.
 - b. *Confirm that the following statements are true:*
 - The trigger-level readout for the B trigger system changes as you turn the lower multipurpose knob.

- As you rotate the lower multipurpose knob, the square-wave probe-compensation signal can become triggered and untriggered. (Leave the signal triggered.)
- c. *Verify the delayed trigger counter:*
- Double click the **Trig Delay** control to pop up a numeric keypad for that control.
 - Click the keypad to enter a trigger delay time of **1 second** and then click **Enter**.
 - Verify that the trigger **READY** indicator on the front panel flashes about once every second as the waveform is updated on-screen.
8. *Remove the test hookup:* Disconnect the BNC cable from the channel input and the probe compensation output.

Verify the File System

Equipment required	One BNC cable, such as Tektronix part number 012-0076-00 One TCA-BNC adapter One 1.44 Mbyte, 3.5 inch DOS-compatible formatted disk.
Prerequisites	None

1. *Initialize the instrument:* Push the front-panel **DEFAULT SETUP** button.
2. *Hook up the signal source:* Connect the BNC cable from the probe compensation output to the CH 1 input through a TCA-BNC adapter as shown in Figure 4-6.

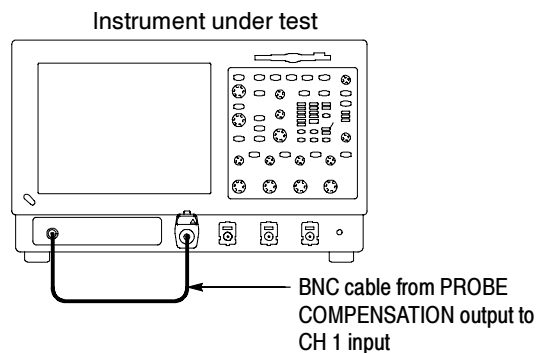


Figure 4-6: Setup for the file system test

3. *Insert the test disk:* Insert the floppy disk in the floppy disk drive.
4. *Set up the instrument:* Push the front panel **AUTOSET** button.

5. Pull down the **Vert** menu, select **Vertical Setup**, and then touch **Offset**. Adjust the Ch1 Offset to **-0.25 V** using the multipurpose knob.
6. Set the **Vertical SCALE** to **100 mV** per division.
7. *Set the time base:* Set the horizontal **SCALE** to **1 ms/div**. The time-base readout is displayed at the bottom of the graticule.
8. *Save the settings:*
 - a. Pull down the **File** menu to select **Instrument Setup**. . . . This displays the instrument setups control window.
 - b. Click the **Save** button under Save settings to file in the control window. This displays a familiar Windows dialog box for choosing a destination folder naming the file.
 - c. In the Save Instrument Setups As dialog box, select the **3¹/₂ Floppy (A:)** icon in the **Save in:** drop-down list to set the save destination to the floppy disk.
 - d. Note the default file name and then click the **Save** button to save the setup to the default file name.
9. *Change the settings again:* Set the horizontal **SCALE** to **200 μ s/div**.
10. *Verify the file system works:*
 - a. Click the **Recall Setups** tab in the control window.
 - b. Click the **Recall** button under Recall settings from file in the control window. This displays a familiar Windows dialog box for locating the settings file that you want to recall.
 - c. In the Recall Instrument Setup dialog box, select the **3¹/₂ Floppy (A:)** icon in the **Look in:** drop-down list.
 - d. Locate and then double click in the dialog box on the setup file that you previously stored.
 - e. Verify that the instrument retrieved the saved setup from the disk. Do this by noticing the horizontal **SCALE** is again 1 ms and the waveform shows ten cycles just as it did when you saved the setup.
11. *Remove the test hookup:*
 - a. Disconnect the BNC cable and adapter from the channel input and the probe compensation output.
 - b. Remove the floppy disk from the floppy disk drive.

Performance Tests

This section contains a collection of manual procedures for checking that instrument performs as warranted.

The procedures are arranged in logical groupings: *Signal Acquisition System Checks*, *Time Base System Checks*, *Triggering System Checks*, *Output Ports Checks*, *Serial Trigger Checks*, and *Optical-to-Electrical Converter Checks*. They check all the characteristics that are designated as checked in *Specifications*. (The characteristics that are checked appear with a ✓ in *Specifications*).

STOP. *These procedures extend the confidence level provided by the basic procedures described on page 4-5. The basic procedures should be done first, then these procedures performed if desired.*

Prerequisites

The tests in this section comprise an extensive, valid confirmation of performance and functionality when the following requirements are met:

- The cabinet must be installed on the instrument.
- You must have performed and passed the procedures under *Self Tests*, found on page 4-5, and those under *Functional Tests*, found on page 4-6.
- A signal-path compensation must have been done within the recommended calibration interval and at a temperature within ± 5 °C of the present operating temperature. (If at the time you did the prerequisite *Self Tests*, the temperature was within the limits just stated, consider this prerequisite met). A signal-path compensation must have been done at an ambient humidity within 25% of the current ambient humidity and after having been at that humidity for at least 4 hours.
- The instrument must have been last adjusted at an ambient temperature between +20 °C and +30 °C, must have been operating for a warm-up period of at least 20 minutes, and must be operating at an ambient temperature as listed in Table 1-12. (The warm-up requirement is usually met in the course of meeting the Self Tests and Functional Tests prerequisites listed above).

Equipment Required

Procedures starting on page 4-45, use external, traceable signal sources to directly check warranted characteristics. Table 4-2 lists the required equipment.

Table 4-2: Test equipment

Item number and description	Minimum requirements	Example	Purpose
1. Attenuator, 10X (two required)	Ratio: 10X; impedance 50 Ω ; connectors: female input, male output	BNC \leq 2 GHz Tektronix part number 011-0059-02 SMA \leq 18 GHz Tektronix part number 015-1003-00	Signal attenuation
2. Attenuator, 5X	Ratio: 5X; impedance 50 Ω ; connectors: female input, male output	BNC \leq 2 GHz Tektronix part number 011-0060-02 SMA \leq 18 GHz Tektronix part number 015-1002-01	Signal attenuation
3. Termination, 50 Ω (three required)	Impedance 50 Ω ; connectors: female BNC input, male BNC output	Tektronix part number 011-0049-02	Signal termination for channel delay test
4. Cable, Precision 50 Ω Coaxial (three required)	50 Ω , 36 in, male-to-male BNC connectors	Tektronix part number 012-0482-00	Signal interconnection
5. Connector, Dual-Banana (two required)	Female BNC-to-dual banana	Tektronix part number 103-0090-00	Various accuracy tests
6. Connector, BNC "T"	Male BNC-to-dual female BNC	Tektronix part number 103-0030-00	Checking trigger sensitivity
7. Probe	A P7240 probe A P7260 probe (TDS7704B)	Tektronix part number P7240 Tektronix part number P7260 (TDS7704B)	Signal interconnection
8. Floppy disk	3.5 inch 1.44 Mbyte, DOS-compatible floppy disk	Standard IBM PC-compatible disk	Checking file system basic functionality
9. Generator, DC Calibration	Variable amplitude to ± 7 V; accuracy to 0.1%	Fluke 9500B ¹	Checking DC offset, gain, measurement accuracy, and maximum input voltage
10. Generator, Calibration	500 mV square wave calibrator amplitude; accuracy to 0.25%	Fluke 9500B ¹	To check accuracy of signal out
11. Timer-counter	25 MHz, 1 s gate	Advantest R5360	Checking long-term sample rate and delay time accuracy

Table 4-2: Test equipment (Cont.)

Item number and description	Minimum requirements	Example	Purpose
12. Generator, Sine-Wave ³	Instrument bandwidth \leq 6 GHz: 5 kHz to at least the instrument bandwidth. Variable amplitude from 60 mV to 2 V _{p-p} into 50 Ω . Frequency error <2.0%	Rohde & Schwarz SMT06 with options 01 and 02	Checking analog bandwidth, trigger sensitivity, sample-rate, external clock, and delay-time accuracy
	Instrument bandwidth > 6 GHz: 10 MHz to at least the instrument bandwidth. Variable amplitude from 60 mV to 1.8 V _{p-p} into 50 Ω . Frequency error <2.0%	Anritsu MG3692A Synthesized CW Generator with options 2x, 4, and 15	
13. Meter, Level and Power Sensor	Frequency range: 10 MHz to the instrument bandwidth. Amplitude range: 6 mV _{p-p} to 2 V _{p-p}	Rohde & Schwarz NRVS and NRV-Z102	Checking analog bandwidth and Trigger Sensitivity
14. Splitter, Power	Frequency range: DC to 4 GHz. Tracking: >2.0%	Tektronix part number 015-0565-00	Checking delay between channels
15. Adapter (four required)	Male N-to-female BNC	Tektronix part number 103-0045-00	Checking analog bandwidth
16. Adapter	Female N-to-male BNC	Tektronix part number 103-0058-00	Checking analog bandwidth
17. Adapter (three required)	SMA female-to-female	Tektronix part number 015-1012-00	Checking the delay between channels
18. Adapter (three required)	SMA male-to-female BNC	Tektronix part number 015-1018-00	Checking the delay between channels
19. Adapter (four required)	SMA male-to-BNC female	TCA-BNC or TCA-SMA and SMA male-to-BNC female adapter (Tektronix part number 015-0554-00 or 015-1018-00)	Signal interconnection
20. Pulse Generator	2 MHz, \leq 150 ps rise time, 5 V out	Fluke 9500B ^{1,2}	Used to test delta time measurement accuracy
21. Cable, Coaxial (two required)	50 Ω , 20 in, male-to-male SMA connectors	Tektronix part number 174-1427-00	Used to test delta time measurement accuracy
22. Adapter	SMA "T", male to 2 SMA female	Tektronix part number 015-1016-00	Used to test delta time measurement accuracy
23. Adapter	SMA female to BNC male	Tektronix part number 015-0572-00	Used to test delta time measurement accuracy
24. Adapter	BNC male to female elbow	Tektronix part number 103-0031-00	Used to test delta time measurement accuracy
25. Termination (two required)	Short circuit, SMA connector, female	Tektronix part number 015-1021-00	Used to test delta time measurement accuracy

Table 4-2: Test equipment (Cont.)

Item number and description	Minimum requirements	Example	Purpose
26. Attenuator, 2X	Ratio: 2X; impedance 50 Ω ; connectors: female BNC input, male BNC output	Tektronix part number 011-0069-02	Used to test delta time measurement accuracy and pulse trigger accuracy
27. Digital Multimeter	Ohms: <60 Ohms	Keithley 2000	Checking input impedance
28. Optical Impulser	1550 nm impulse	IMRA Femtolite B-4-FC Optical Impulser	Optical Tests
29. CW laser source	780 nm, 850 nm, 1310 nm, and 1550 nm	JDS Uniphase 420B laser transmitter and Rifocs 716R with 702RT8.5 controller	Optical tests
30. Optical attenuator, variable	Multimode input and output, 0 to 60 dB	Tektronix OA5022 Optical Attenuator	Optical tests
31. Optical power meter	780 nm, 850 nm, 1310 nm, and 1550 nm	Agilent 8163A with 81618A optical head interface, 81625B InGaAs optical head and 81000FA FC/PC/SPC/APC connector adapter	Optical tests
32. Adapter	O/E electrical out to CH1 input	Tektronix part number 013-0327-00	Used to test O/E converter
33. Adapter	O/E electrical out to SMA	Tektronix part number 013-0326-00	Used to test O/E converter
34. Cable, fiber-optic (two required)	multimode, 2 m, FC/PC to FC/PC	Tektronix part number 174-2322-00	Tektronix part number 174-1910-00
35. Attenuator, optical	30mm, 10 dB, FC to FC, female to male	Tektronix part number 119-5118-00	Tektronix part number 119-5118-00
36. Cable, coaxial	50 Ω , 39.37 in (1.0m), male-to-male SMA connectors 50 Ω , 60 in (1.5m), male-to-male SMA connectors	Tektronix part number 174-1341-00 Tektronix part number 174-1428-00	Checking analog bandwidth
37. Termination	50 Ω , coaxial termination, K male	Anritsu-Wiltron 28K50	Anritsu-Wiltron 28K50
38. Dust cap	No light transmission	Dust cap provided with optical input	Dark level calibration and optical noise check
39. Probe calibration and des skew fixture	Standard accessory	Tektronix part number 067-0405-xx (067-0848-xx for TDS7704B)	Functional tests

¹ Fluke 9500B/1100, 9500B/3200, or 9500B/2200 and an output head (9510, 9530, or 9560) appropriate for the bandwidth of the instrument being tested.

² For Delta Time Measurement Accuracy, use a Fluke 9500B or a pulse generator with a rise time as shown in Table 4-9 on page 4-98.

³ On Instruments with a bandwidth \leq 3 GHz, items 12, 13, and 14 may be replaced with a Fluke 9500B and an appropriate output head.

CSA7000B & TDS7000B Test Record

Photocopy this table and use it to record the performance test results for your instrument.

CSA7000B & TDS7000B Test Record

Instrument Serial Number: _____ Certificate Number: _____
 Temperature: _____ RH %: _____
 Date of Calibration: _____ Technician: _____

Instrument performance test		Minimum	Incoming	Outgoing	Maximum
DC voltage measurement accuracy (averaged), CSA7404B, TDS7404B, TDS7254B, & TDS7154B					
CH1	2 mV Vert scale setting, -5 Div position setting, +0.5 V offset	+ 512.79 mV	_____	_____	+ 519.21 mV
CH1	2 mV Vert scale setting, +5 Div position setting, -0.5 V offset	- 519.21 mV	_____	_____	- 512.79 mV
CH1	50 mV Vert scale setting, -5 Div position setting, +0.5 V offset	+ 881.63 mV	_____	_____	+ 918.38 mV
CH1	50 mV Vert scale setting, +5 Div position setting, -0.5 V offset	- 918.38 V	_____	_____	- 881.63 mV
CH1	100 mV Vert scale setting, -5 Div position setting, +4.8 V offset	+ 4.9393 V	_____	_____	+ 5.0607 V
CH1	100 mV Vert scale setting, +5 Div position setting, -4.8 V offset	- 5.0607 V	_____	_____	- 4.9393 V
CH1	1.0 V Vert scale setting, -5 Div position setting, +2.5 V offset	+ 4.1738 V	_____	_____	+ 4.8263 V
CH1	1.0 V Vert scale setting, +5 Div position setting, -2.5 V offset	- 4.8263 V	_____	_____	- 4.1738 V
CH2	2 mV Vert scale setting, -5 Div position setting, +0.5 V offset	+ 512.79 mV	_____	_____	+ 519.21 mV
CH2	2 mV Vert scale setting, +5 Div position setting, -0.5 V offset	- 519.21 mV	_____	_____	- 512.79 mV
CH2	50 mV Vert scale setting, -5 Div position setting, +0.5 V offset	+ 881.63 mV	_____	_____	+ 918.38 mV
CH2	50 mV Vert scale setting, +5 Div position setting, -0.5 V offset	- 918.38 V	_____	_____	- 881.63 mV
CH2	100 mV Vert scale setting, -5 Div position setting, +4.8 V offset	+ 4.9393 V	_____	_____	+ 5.0607 V
CH2	100 mV Vert scale setting, +5 Div position setting, -4.8 V offset	- 5.0607 V	_____	_____	- 4.9393 V
CH2	1.0 V Vert scale setting, -5 Div position setting, +2.5 V offset	+ 4.1738 V	_____	_____	+ 4.8263 V
CH3	1.0 V Vert scale setting, +5 Div position setting, -2.5 V offset	- 4.8263 V	_____	_____	- 4.1738 V

CSA7000B & TDS7000B Test Record (cont.)

Instrument Serial Number: _____ Certificate Number: _____
 Temperature: _____ RH %: _____
 Date of Calibration: _____ Technician: _____

Instrument performance test		Minimum	Incoming	Outgoing	Maximum
CH3	2 mV Vert scale setting, -5 Div position setting, +0.5 V offset	+ 512.79 mV	_____	_____	+ 519.21 mV
CH3	2 mV Vert scale setting, +5 Div position setting, -0.5 V offset	- 519.21 mV	_____	_____	- 512.79 mV
CH3	50 mV Vert scale setting, -5 Div position setting, +0.5 V offset	+ 881.63 mV	_____	_____	+ 918.38 mV
CH3	50 mV Vert scale setting, +5 Div position setting, -0.5 V offset	- 918.38 V	_____	_____	- 881.63 mV
CH3	100 mV Vert scale setting, -5 Div position setting, +4.8 V offset	+ 4.9393 V	_____	_____	+ 5.0607 V
CH3	100 mV Vert scale setting, +5 Div position setting, -4.8 V offset	- 5.0607 V	_____	_____	- 4.9393 V
CH3	1.0 V Vert scale setting, -5 Div position setting, +2.5 V offset	+ 4.1738 V	_____	_____	+ 4.8263 V
CH3	1.0 V Vert scale setting, +5 Div position setting, -2.5 V offset	- 4.8263 V	_____	_____	- 4.1738 V
CH4	2 mV Vert scale setting, -5 Div position setting, +0.5 V offset	+ 512.79 mV	_____	_____	+ 519.21 mV
CH4	2 mV Vert scale setting, +5 Div position setting, -0.5 V offset	- 519.21 mV	_____	_____	- 512.79 mV
CH4	50 mV Vert scale setting, -5 Div position setting, +0.5 V offset	+ 881.63 mV	_____	_____	+ 918.38 mV
CH4	50 mV Vert scale setting, +5 Div position setting, -0.5 V offset	- 918.38 V	_____	_____	- 881.63 mV
CH4	100 mV Vert scale setting, -5 Div position setting, +4.8 V offset	+ 4.9393 V	_____	_____	+ 5.0607 V
CH4	100 mV Vert scale setting, +5 Div position setting, -4.8 V offset	- 5.0607 V	_____	_____	- 4.9393 V
CH4	1.0 V Vert scale setting, -5 Div position setting, +2.5 V offset	+ 4.1738 V	_____	_____	+ 4.8263 V
CH4	1.0 V Vert scale setting, +5 Div position setting, -2.5 V offset	- 4.8263 V	_____	_____	- 4.1738 V

CSA7000B & TDS7000B Test Record (cont.)

Instrument Serial Number: _____ Certificate Number: _____
 Temperature: _____ RH %: _____
 Date of Calibration: _____ Technician: _____

Instrument performance test		Minimum	Incoming	Outgoing	Maximum
DC voltage measurement accuracy (averaged), TDS7704B					
CH1	2 mV Vert scale setting, -5 Div position setting, +0.5 V offset	+ 511.99 mV	_____	_____	+ 520.01 mV
CH1	2 mV Vert scale setting, +5 Div position setting, -0.5 V offset	- 520.01 mV	_____	_____	- 511.99 mV
CH1	50 mV Vert scale setting, -5 Div position setting, +0.5 V offset	+ 879.75 mV	_____	_____	+ 920.25 mV
CH1	50 mV Vert scale setting, +5 Div position setting, -0.5 V offset	- 920.25 V	_____	_____	- 879.75 mV
CH1	100 mV Vert scale setting, -5 Div position setting, +4.8 V offset	+ 4.9298 V	_____	_____	+ 5.0702 V
CH1	100 mV Vert scale setting, +5 Div position setting, -4.8 V offset	- 5.0702 V	_____	_____	- 4.9298 V
CH1	1.0 V Vert scale setting, -5 Div position setting, +2.5 V offset	+ 4.1475 V	_____	_____	+ 4.8525 V
CH1	1.0 V Vert scale setting, +5 Div position setting, -2.5 V offset	- 4.8525 V	_____	_____	- 4.1475 V
CH2	2 mV Vert scale setting, -5 Div position setting, +0.5 V offset	+ 511.99 mV	_____	_____	+ 520.01 mV
CH2	2 mV Vert scale setting, +5 Div position setting, -0.5 V offset	- 520.01 mV	_____	_____	- 511.99 mV
CH2	50 mV Vert scale setting, -5 Div position setting, +0.5 V offset	+ 879.75 mV	_____	_____	+ 920.25 mV
CH2	50 mV Vert scale setting, +5 Div position setting, -0.5 V offset	- 920.25 V	_____	_____	- 879.75 mV
CH2	100 mV Vert scale setting, -5 Div position setting, +4.8 V offset	+ 4.9298 V	_____	_____	+ 5.0702 V
CH2	100 mV Vert scale setting, +5 Div position setting, -4.8 V offset	- 5.0702 V	_____	_____	- 4.9298 V
CH2	1.0 V Vert scale setting, -5 Div position setting, +2.5 V offset	+ 4.1475 V	_____	_____	+ 4.8525 V
CH2	1.0 V Vert scale setting, +5 Div position setting, -2.5 V offset	- 4.8525 V	_____	_____	- 4.1475 V
CH3	2 mV Vert scale setting, -5 Div position setting, +0.5 V offset	+ 511.99 mV	_____	_____	+ 520.01 mV
CH3	2 mV Vert scale setting, +5 Div position setting, -0.5 V offset	- 520.01 mV	_____	_____	- 511.99 mV

CSA7000B & TDS7000B Test Record (cont.)

Instrument Serial Number: _____ Certificate Number: _____
 Temperature: _____ RH %: _____
 Date of Calibration: _____ Technician: _____

Instrument performance test		Minimum	Incoming	Outgoing	Maximum
CH3	50 mV Vert scale setting, -5 Div position setting, +0.5 V offset	+ 879.75 mV	_____	_____	+ 920.25 mV
CH3	50 mV Vert scale setting, +5 Div position setting, -0.5 V offset	- 920.25 V	_____	_____	- 879.75 mV
CH3	100 mV Vert scale setting, -5 Div position setting, +4.8 V offset	+ 4.9298 V	_____	_____	+ 5.0702 V
CH3	100 mV Vert scale setting, +5 Div position setting, -4.8 V offset	- 5.0702 V	_____	_____	- 4.9298 V
CH3	1.0 V Vert scale setting, -5 Div position setting, +2.5 V offset	+ 4.1475 V	_____	_____	+ 4.8525 V
CH3	1.0 V Vert scale setting, +5 Div position setting, -2.5 V offset	- 4.8525 V	_____	_____	- 4.1475 V
CH4	2 mV Vert scale setting, -5 Div position setting, +0.5 V offset	+ 511.99 mV	_____	_____	+ 520.01 mV
CH4	2 mV Vert scale setting, +5 Div position setting, -0.5 V offset	- 520.01 mV	_____	_____	- 511.99 mV
CH4	50 mV Vert scale setting, -5 Div position setting, +0.5 V offset	+ 879.75 mV	_____	_____	+ 920.25 mV
CH4	50 mV Vert scale setting, +5 Div position setting, -0.5 V offset	- 920.25 V	_____	_____	- 879.75 mV
CH4	100 mV Vert scale setting, -5 Div position setting, +4.8 V offset	+ 4.9298 V	_____	_____	+ 5.0702 V
CH4	100 mV Vert scale setting, +5 Div position setting, -4.8 V offset	- 5.0702 V	_____	_____	- 4.9298 V
CH4	1.0 V Vert scale setting, -5 Div position setting, +2.5 V offset	+ 4.1475 V	_____	_____	+ 4.8525 V
CH4	1.0 V Vert scale setting, +5 Div position setting, -2.5 V offset	- 4.8525 V	_____	_____	- 4.1475 V

CSA7000B & TDS7000B Test Record (cont.)

Instrument Serial Number: _____ Certificate Number: _____
 Temperature: _____ RH %: _____
 Date of Calibration: _____ Technician: _____

Instrument performance test		Minimum	Incoming	Outgoing	Maximum
DC gain accuracy (averaged), CSA7404B, TDS7404B, TDS7254B, & TDS7154B					
CH1	2 mV Vert scale setting, 0 Div position setting, 0 V offset -5 Div position setting, +0.5 V offset +5 Div position setting, -0.5 V offset	+ 14.80 mV + 14.40 mV + 14.40 mV	_____ _____ _____	_____ _____ _____	+ 15.60 mV + 16.00 mV + 16.00 mV
CH1	5 mV Vert scale setting, 0 Div position setting, 0 V offset -5 Div position setting, +0.5 V offset +5 Div position setting, -0.5 V offset	+ 37.24 mV + 36.84 mV + 36.84 mV	_____ _____ _____	_____ _____ _____	+ 38.76 mV + 39.16 mV + 39.16 mV
CH1	10 mV Vert scale setting, 0 Div position setting, 0 V offset -5 Div position setting, +0.5 V offset +5 Div position setting, -0.5 V offset	+ 74.48 mV + 73.64 mV + 73.64 mV	_____ _____ _____	_____ _____ _____	+ 77.52 mV + 78.36 mV + 78.36 mV
CH1	20 mV Vert scale setting, 0 Div position setting, 0 V offset -5 Div position setting, +0.5 V offset +5 Div position setting, -0.5 V offset	+ 149.0 mV + 147.1 mV + 147.1 mV	_____ _____ _____	_____ _____ _____	+ 155.0 mV + 156.9 mV + 156.9 mV
CH1	50 mV Vert scale setting, 0 Div position setting, 0 V offset -5 Div position setting, +0.5 V offset +5 Div position setting, -0.5 V offset	+ 372.4 mV + 366.7 mV + 366.7 mV	_____ _____ _____	_____ _____ _____	+ 387.6 mV + 393.3 mV + 393.3 mV
CH1	100 mV Vert scale setting, 0 Div position setting, 0 V offset 0 Div position setting, +4.5 V offset 0 Div position setting, -4.5 V offset	+ 744.8 mV + 738.0 mV + 738.0 mV	_____ _____ _____	_____ _____ _____	+ 775.2 mV + 782.0 mV + 782.0 mV
CH1	200 mV Vert scale setting, 0 Div position setting, 0 V offset 2 Div position setting, +4.6 V offset -2 Div position setting, -4.6 V offset	+ 1.490 V + 1.477 V + 1.477 V	_____ _____ _____	_____ _____ _____	+ 1.550 V + 1.563 V + 1.563 V
CH1	500 mV Vert scale setting, 0 Div position setting, 0 V offset 4 Div position setting, +5 V offset -4 Div position setting, -5 V offset	+ 3.724 V + 3.701 V + 3.701 V	_____ _____ _____	_____ _____ _____	+ 3.876 V + 3.899 V + 3.899 V
CH1	1.0 V Vert scale setting, 0 Div position setting, 0 V offset 0 Div position setting, +2.0 V offset 0 Div position setting, -2.0 V offset	+ 7.448 V + 5.856 V - 5.856 V	_____ _____ _____	_____ _____ _____	+ 7.752 V + 6.144 V - 6.144 V

CSA7000B & TDS7000B Test Record (cont.)

Instrument Serial Number: _____ Certificate Number: _____
 Temperature: _____ RH %: _____
 Date of Calibration: _____ Technician: _____

Instrument performance test		Minimum	Incoming	Outgoing	Maximum
CH2	2 mV Vert scale setting, 0 Div position setting, 0 V offset -5 Div position setting, +0.5 V offset +5 Div position setting, -0.5 V offset	+ 14.80 mV + 14.40 mV + 14.40 mV	_____ _____ _____	_____ _____ _____	+ 15.60 mV + 16.00 mV + 16.00 mV
CH2	5 mV Vert scale setting, 0 Div position setting, 0 V offset -5 Div position setting, +0.5 V offset +5 Div position setting, -0.5 V offset	+ 37.24 mV + 36.84 mV + 36.84 mV	_____ _____ _____	_____ _____ _____	+ 38.76 mV + 39.16 mV + 39.16 mV
CH2	10 mV Vert scale setting, 0 Div position setting, 0 V offset -5 Div position setting, +0.5 V offset +5 Div position setting, -0.5 V offset	+ 74.48 mV + 73.64 mV + 73.64 mV	_____ _____ _____	_____ _____ _____	+ 77.52 mV + 78.36 mV + 78.36 mV
CH2	20 mV Vert scale setting, 0 Div position setting, 0 V offset -5 Div position setting, +0.5 V offset +5 Div position setting, -0.5 V offset	+ 149.0 mV + 147.1 mV + 147.1 mV	_____ _____ _____	_____ _____ _____	+ 155.0 mV + 156.9 mV + 156.9 mV
CH2	50 mV Vert scale setting, 0 Div position setting, 0 V offset -5 Div position setting, +0.5 V offset +5 Div position setting, -0.5 V offset	+ 372.4 mV + 366.7 mV + 366.7 mV	_____ _____ _____	_____ _____ _____	+ 387.6 mV + 393.3 mV + 393.3 mV
CH2	100 mV Vert scale setting, 0 Div position setting, 0 V offset 0 Div position setting, +4.5 V offset 0 Div position setting, -4.5 V offset	+ 744.8 mV + 738.0 mV + 738.0 mV	_____ _____ _____	_____ _____ _____	+ 775.2 mV + 782.0 mV + 782.0 mV
CH2	200 mV Vert scale setting, 0 Div position setting, 0 V offset 2 Div position setting, +4.6 V offset -2 Div position setting, -4.6 V offset	+ 1.490 V + 1.477 V + 1.477 V	_____ _____ _____	_____ _____ _____	+ 1.550 V + 1.563 V + 1.563 V
CH2	500 mV Vert scale setting, 0 Div position setting, 0 V offset 4 Div position setting, +5 V offset -4 Div position setting, -5 V offset	+ 3.724 V + 3.701 V + 3.701 V	_____ _____ _____	_____ _____ _____	+ 3.876 V + 3.899 V + 3.899 V
CH2	1.0 V Vert scale setting, 0 Div position setting, 0 V offset 0 Div position setting, +2.0 V offset 0 Div position setting, -2.0 V offset	+ 7.448 V + 5.856 V - 5.856 V	_____ _____ _____	_____ _____ _____	+ 7.752 V + 6.144 V - 6.144 V

CSA7000B & TDS7000B Test Record (cont.)

Instrument Serial Number: _____ Certificate Number: _____
 Temperature: _____ RH %: _____
 Date of Calibration: _____ Technician: _____

Instrument performance test		Minimum	Incoming	Outgoing	Maximum
CH3	2 mV Vert scale setting, 0 Div position setting, 0 V offset -5 Div position setting, +0.5 V offset +5 Div position setting, -0.5 V offset	+ 14.80 mV + 14.40 mV + 14.40 mV	_____ _____ _____	_____ _____ _____	+ 15.60 mV + 16.00 mV + 16.00 mV
CH3	5 mV Vert scale setting, 0 Div position setting, 0 V offset -5 Div position setting, +0.5 V offset +5 Div position setting, -0.5 V offset	+ 37.24 mV + 36.84 mV + 36.84 mV	_____ _____ _____	_____ _____ _____	+ 38.76 mV + 39.16 mV + 39.16 mV
CH3	10 mV Vert scale setting, 0 Div position setting, 0 V offset -5 Div position setting, +0.5 V offset +5 Div position setting, -0.5 V offset	+ 74.48 mV + 73.64 mV + 73.64 mV	_____ _____ _____	_____ _____ _____	+ 77.52 mV + 78.36 mV + 78.36 mV
CH3	20 mV Vert scale setting, 0 Div position setting, 0 V offset -5 Div position setting, +0.5 V offset +5 Div position setting, -0.5 V offset	+ 149.0 mV + 147.1 mV + 147.1 mV	_____ _____ _____	_____ _____ _____	+ 155.0 mV + 156.9 mV + 156.9 mV
CH3	50 mV Vert scale setting, 0 Div position setting, 0 V offset -5 Div position setting, +0.5 V offset +5 Div position setting, -0.5 V offset	+ 372.4 mV + 366.7 mV + 366.7 mV	_____ _____ _____	_____ _____ _____	+ 387.6 mV + 393.3 mV + 393.3 mV
CH3	100 mV Vert scale setting, 0 Div position setting, 0 V offset 0 Div position setting, +4.5 V offset 0 Div position setting, -4.5 V offset	+ 744.8 mV + 738.0 mV + 738.0 mV	_____ _____ _____	_____ _____ _____	+ 775.2 mV + 782.0 mV + 782.0 mV
CH3	200 mV Vert scale setting, 0 Div position setting, 0 V offset 2 Div position setting, +4.6 V offset -2 Div position setting, -4.6 V offset	+ 1.490 V + 1.477 V + 1.477 V	_____ _____ _____	_____ _____ _____	+ 1.550 V + 1.563 V + 1.563 V
CH3	500 mV Vert scale setting, 0 Div position setting, 0 V offset 4 Div position setting, +5 V offset -4 Div position setting, -5 V offset	+ 3.724 V + 3.701 V + 3.701 V	_____ _____ _____	_____ _____ _____	+ 3.876 V + 3.899 V + 3.899 V
CH3	1.0 V Vert scale setting, 0 Div position setting, 0 V offset 0 Div position setting, +2.0 V offset 0 Div position setting, -2.0 V offset	+ 7.448 V + 5.856 V - 5.856 V	_____ _____ _____	_____ _____ _____	+ 7.752 V + 6.144 V - 6.144 V

CSA7000B & TDS7000B Test Record (cont.)

Instrument Serial Number: _____ Certificate Number: _____
 Temperature: _____ RH %: _____
 Date of Calibration: _____ Technician: _____

Instrument performance test		Minimum	Incoming	Outgoing	Maximum
CH4	2 mV Vert scale setting, 0 Div position setting, 0 V offset -5 Div position setting, +0.5 V offset +5 Div position setting, -0.5 V offset	+ 14.80 mV + 14.40 mV + 14.40 mV	_____ _____ _____	_____ _____ _____	+ 15.60 mV + 16.00 mV + 16.00 mV
CH4	5 mV Vert scale setting, 0 Div position setting, 0 V offset -5 Div position setting, +0.5 V offset +5 Div position setting, -0.5 V offset	+ 37.24 mV + 36.84 mV + 36.84 mV	_____ _____ _____	_____ _____ _____	+ 38.76 mV + 39.16 mV + 39.16 mV
CH4	10 mV Vert scale setting, 0 Div position setting, 0 V offset -5 Div position setting, +0.5 V offset +5 Div position setting, -0.5 V offset	+ 74.48 mV + 73.64 mV + 73.64 mV	_____ _____ _____	_____ _____ _____	+ 77.52 mV + 78.36 mV + 78.36 mV
CH4	20 mV Vert scale setting, 0 Div position setting, 0 V offset -5 Div position setting, +0.5 V offset +5 Div position setting, -0.5 V offset	+ 149.0 mV + 147.1 mV + 147.1 mV	_____ _____ _____	_____ _____ _____	+ 155.0 mV + 156.9 mV + 156.9 mV
CH4	50 mV Vert scale setting, 0 Div position setting, 0 V offset -5 Div position setting, +0.5 V offset +5 Div position setting, -0.5 V offset	+ 372.4 mV + 366.7 mV + 366.7 mV	_____ _____ _____	_____ _____ _____	+ 387.6 mV + 393.3 mV + 393.3 mV
CH4	100 mV Vert scale setting, 0 Div position setting, 0 V offset 0 Div position setting, +4.5 V offset 0 Div position setting, -4.5 V offset	+ 744.8 mV + 738.0 mV + 738.0 mV	_____ _____ _____	_____ _____ _____	+ 775.2 mV + 782.0 mV + 782.0 mV
CH4	200 mV Vert scale setting, 0 Div position setting, 0 V offset 2 Div position setting, +4.6 V offset -2 Div position setting, -4.6 V offset	+ 1.490 V + 1.477 V + 1.477 V	_____ _____ _____	_____ _____ _____	+ 1.550 V + 1.563 V + 1.563 V
CH4	500 mV Vert scale setting, 0 Div position setting, 0 V offset 4 Div position setting, +5 V offset -4 Div position setting, -5 V offset	+ 3.724 V + 3.701 V + 3.701 V	_____ _____ _____	_____ _____ _____	+ 3.876 V + 3.899 V + 3.899 V
CH4	1.0 V Vert scale setting, 0 Div position setting, 0 V offset 0 Div position setting, +2.0 V offset 0 Div position setting, -2.0 V offset	+ 7.448 V + 5.856 V - 5.856 V	_____ _____ _____	_____ _____ _____	+ 7.752 V + 6.144 V - 6.144 V

CSA7000B & TDS7000B Test Record (cont.)

Instrument Serial Number: _____ Certificate Number: _____
 Temperature: _____ RH %: _____
 Date of Calibration: _____ Technician: _____

Instrument performance test		Minimum	Incoming	Outgoing	Maximum
DC gain accuracy (averaged) TDS7704B					
CH1	2 mV Vert scale setting, 0 Div position setting, 0 V offset -5 Div position setting, +0.5 V offset +5 Div position setting, -0.5 V offset	+ 14.74 mV + 14.28 mV + 14.28 mV	_____ _____ _____	_____ _____ _____	+ 15.66 mV + 16.12 mV + 16.12 mV
CH1	5 mV Vert scale setting, 0 Div position setting, 0 V offset -5 Div position setting, +0.5 V offset +5 Div position setting, -0.5 V offset	+ 37.05 mV + 36.65 mV + 36.65 mV	_____ _____ _____	_____ _____ _____	+ 38.95 mV + 39.35 mV + 39.35 mV
CH1	10 mV Vert scale setting, 0 Div position setting, 0 V offset -5 Div position setting, +0.5 V offset +5 Div position setting, -0.5 V offset	+ 74.10 mV + 73.26 mV + 73.26 mV	_____ _____ _____	_____ _____ _____	+ 77.90 mV + 78.74 mV + 78.74 mV
CH1	20 mV Vert scale setting, 0 Div position setting, 0 V offset -5 Div position setting, +0.5 V offset +5 Div position setting, -0.5 V offset	+ 148.2 mV + 146.4 mV + 146.4 mV	_____ _____ _____	_____ _____ _____	+ 155.8 mV + 157.6 mV + 157.6 mV
CH1	50 mV Vert scale setting, 0 Div position setting, 0 V offset -5 Div position setting, +0.5 V offset +5 Div position setting, -0.5 V offset	+ 370.5 mV + 364.8 mV + 364.8 mV	_____ _____ _____	_____ _____ _____	+ 389.5 mV + 395.2 mV + 395.2 mV
CH1	100 mV Vert scale setting, 0 Div position setting, 0 V offset 0 Div position setting, +4.5 V offset 0 Div position setting, -4.5 V offset	+ 741.0 mV + 734.2 mV + 734.2 mV	_____ _____ _____	_____ _____ _____	+ 779.0 mV + 785.8 mV + 785.8 mV
CH1	200 mV Vert scale setting, 0 Div position setting, 0 V offset 2 Div position setting, +4.6 V offset -2 Div position setting, -4.6 V offset	+ 1.482 V + 1.469 V + 1.469 V	_____ _____ _____	_____ _____ _____	+ 1.558 V + 1.571 V + 1.571 V
CH1	500 mV Vert scale setting, 0 Div position setting, 0 V offset 4 Div position setting, +5 V offset -4 Div position setting, -5 V offset	+ 3.705V + 3.682 V + 3682 V	_____ _____ _____	_____ _____ _____	+ 3.895 V + 3.918 V + 3.918 V
CH1	1.0 V Vert scale setting, 0 Div position setting, 0 V offset 0 Div position setting, +2.0 V offset 0 Div position setting, -2.0 V offset	+ 7.410 V + 5.826 V + 5.826 V	_____ _____ _____	_____ _____ _____	+ 7.790 V + 6.174 V + 6.174 V

CSA7000B & TDS7000B Test Record (cont.)

Instrument Serial Number: _____ Certificate Number: _____
 Temperature: _____ RH %: _____
 Date of Calibration: _____ Technician: _____

Instrument performance test		Minimum	Incoming	Outgoing	Maximum
CH2	2 mV Vert scale setting, 0 Div position setting, 0 V offset -5 Div position setting, +0.5 V offset +5 Div position setting, -0.5 V offset	+ 14.74 mV + 14.28 mV + 14.28 mV	_____ _____ _____	_____ _____ _____	+ 15.66 mV + 16.12 mV + 16.12 mV
CH2	5 mV Vert scale setting, 0 Div position setting, 0 V offset -5 Div position setting, +0.5 V offset +5 Div position setting, -0.5 V offset	+ 37.05 mV + 36.65 mV + 36.65 mV	_____ _____ _____	_____ _____ _____	+ 38.95 mV + 39.35 mV + 39.35 mV
CH2	10 mV Vert scale setting, 0 Div position setting, 0 V offset -5 Div position setting, +0.5 V offset +5 Div position setting, -0.5 V offset	+ 74.10 mV + 73.26 mV + 73.26 mV	_____ _____ _____	_____ _____ _____	+ 77.90 mV + 78.74 mV + 78.74 mV
CH2	20 mV Vert scale setting, 0 Div position setting, 0 V offset -5 Div position setting, +0.5 V offset +5 Div position setting, -0.5 V offset	+ 148.2 mV + 146.4 mV + 146.4 mV	_____ _____ _____	_____ _____ _____	+ 155.8 mV + 157.6 mV + 157.6 mV
CH2	50 mV Vert scale setting, 0 Div position setting, 0 V offset -5 Div position setting, +0.5 V offset +5 Div position setting, -0.5 V offset	+ 370.5 mV + 364.8 mV + 364.8 mV	_____ _____ _____	_____ _____ _____	+ 389.5 mV + 395.2 mV + 395.2 mV
CH2	100 mV Vert scale setting, 0 Div position setting, 0 V offset 0 Div position setting, +4.5 V offset 0 Div position setting, -4.5 V offset	+ 741.0 mV + 734.2 mV + 734.2 mV	_____ _____ _____	_____ _____ _____	+ 779.0 mV + 785.8 mV + 785.8 mV
CH2	200 mV Vert scale setting, 0 Div position setting, 0 V offset 2 Div position setting, +4.6 V offset -2 Div position setting, -4.6 V offset	+ 1.482 V + 1.469 V + 1.469 V	_____ _____ _____	_____ _____ _____	+ 1.558 V + 1.571 V + 1.571 V
CH2	500 mV Vert scale setting, 0 Div position setting, 0 V offset 4 Div position setting, +5 V offset -4 Div position setting, -5 V offset	+ 3.705V + 3.682 V + 3682 V	_____ _____ _____	_____ _____ _____	+ 3.895 V + 3.918 V + 3.918 V
CH2	1.0 V Vert scale setting, 0 Div position setting, 0 V offset 0 Div position setting, +2.0 V offset 0 Div position setting, -2.0 V offset	+ 7.410 V + 5.826 V + 5.826 V	_____ _____ _____	_____ _____ _____	+ 7.790 V + 6.174 V + 6.174 V

CSA7000B & TDS7000B Test Record (cont.)

Instrument Serial Number: _____ Certificate Number: _____
 Temperature: _____ RH %: _____
 Date of Calibration: _____ Technician: _____

Instrument performance test		Minimum	Incoming	Outgoing	Maximum
CH3	2 mV Vert scale setting, 0 Div position setting, 0 V offset -5 Div position setting, +0.5 V offset +5 Div position setting, -0.5 V offset	+ 14.74 mV + 14.28 mV + 14.28 mV	_____ _____ _____	_____ _____ _____	+ 15.66 mV + 16.12 mV + 16.12 mV
CH3	5 mV Vert scale setting, 0 Div position setting, 0 V offset -5 Div position setting, +0.5 V offset +5 Div position setting, -0.5 V offset	+ 37.05 mV + 36.65 mV + 36.65 mV	_____ _____ _____	_____ _____ _____	+ 38.95 mV + 39.35 mV + 39.35 mV
CH3	10 mV Vert scale setting, 0 Div position setting, 0 V offset -5 Div position setting, +0.5 V offset +5 Div position setting, -0.5 V offset	+ 74.10 mV + 73.26 mV + 73.26 mV	_____ _____ _____	_____ _____ _____	+ 77.90 mV + 78.74 mV + 78.74 mV
CH3	20 mV Vert scale setting, 0 Div position setting, 0 V offset -5 Div position setting, +0.5 V offset +5 Div position setting, -0.5 V offset	+ 148.2 mV + 146.4 mV + 146.4 mV	_____ _____ _____	_____ _____ _____	+ 155.8 mV + 157.6 mV + 157.6 mV
CH3	50 mV Vert scale setting, 0 Div position setting, 0 V offset -5 Div position setting, +0.5 V offset +5 Div position setting, -0.5 V offset	+ 370.5 mV + 364.8 mV + 364.8 mV	_____ _____ _____	_____ _____ _____	+ 389.5 mV + 395.2 mV + 395.2 mV
CH3	100 mV Vert scale setting, 0 Div position setting, 0 V offset 0 Div position setting, +4.5 V offset 0 Div position setting, -4.5 V offset	+ 741.0 mV + 734.2 mV + 734.2 mV	_____ _____ _____	_____ _____ _____	+ 779.0 mV + 785.8 mV + 785.8 mV
CH3	200 mV Vert scale setting, 0 Div position setting, 0 V offset 2 Div position setting, +4.6 V offset -2 Div position setting, -4.6 V offset	+ 1.482 V + 1.469 V + 1.469 V	_____ _____ _____	_____ _____ _____	+ 1.558 V + 1.571 V + 1.571 V
CH3	500 mV Vert scale setting, 0 Div position setting, 0 V offset 4 Div position setting, +5 V offset -4 Div position setting, -5 V offset	+ 3.705V + 3.682 V + 3682 V	_____ _____ _____	_____ _____ _____	+ 3.895 V + 3.918 V + 3.918 V
CH3	1.0 V Vert scale setting, 0 Div position setting, 0 V offset 0 Div position setting, +2.0 V offset 0 Div position setting, -2.0 V offset	+ 7.410 V + 5.826 V + 5.826 V	_____ _____ _____	_____ _____ _____	+ 7.790 V + 6.174 V + 6.174 V

CSA7000B & TDS7000B Test Record (cont.)

Instrument Serial Number: _____ Certificate Number: _____
 Temperature: _____ RH %: _____
 Date of Calibration: _____ Technician: _____

Instrument performance test		Minimum	Incoming	Outgoing	Maximum
CH4	2 mV Vert scale setting, 0 Div position setting, 0 V offset -5 Div position setting, +0.5 V offset +5 Div position setting, -0.5 V offset	+ 14.74 mV + 14.28 mV + 14.28 mV	_____ _____ _____	_____ _____ _____	+ 15.66 mV + 16.12 mV + 16.12 mV
CH4	5 mV Vert scale setting, 0 Div position setting, 0 V offset -5 Div position setting, +0.5 V offset +5 Div position setting, -0.5 V offset	+ 37.05 mV + 36.65 mV + 36.65 mV	_____ _____ _____	_____ _____ _____	+ 38.95 mV + 39.35 mV + 39.35 mV
CH4	10 mV Vert scale setting, 0 Div position setting, 0 V offset -5 Div position setting, +0.5 V offset +5 Div position setting, -0.5 V offset	+ 74.10 mV + 73.26 mV + 73.26 mV	_____ _____ _____	_____ _____ _____	+ 77.90 mV + 78.74 mV + 78.74 mV
CH4	20 mV Vert scale setting, 0 Div position setting, 0 V offset -5 Div position setting, +0.5 V offset +5 Div position setting, -0.5 V offset	+ 148.2 mV + 146.4 mV + 146.4 mV	_____ _____ _____	_____ _____ _____	+ 155.8 mV + 157.6 mV + 157.6 mV
CH4	50 mV Vert scale setting, 0 Div position setting, 0 V offset -5 Div position setting, +0.5 V offset +5 Div position setting, -0.5 V offset	+ 370.5 mV + 364.8 mV + 364.8 mV	_____ _____ _____	_____ _____ _____	+ 389.5 mV + 395.2 mV + 395.2 mV
CH4	100 mV Vert scale setting, 0 Div position setting, 0 V offset 0 Div position setting, +4.5 V offset 0 Div position setting, -4.5 V offset	+ 741.0 mV + 734.2 mV + 734.2 mV	_____ _____ _____	_____ _____ _____	+ 779.0 mV + 785.8 mV + 785.8 mV
CH4	200 mV Vert scale setting, 0 Div position setting, 0 V offset 2 Div position setting, +4.6 V offset -2 Div position setting, -4.6 V offset	+ 1.482 V + 1.469 V + 1.469 V	_____ _____ _____	_____ _____ _____	+ 1.558 V + 1.571 V + 1.571 V
CH4	500 mV Vert scale setting, 0 Div position setting, 0 V offset 4 Div position setting, +5 V offset -4 Div position setting, -5 V offset	+ 3.705V + 3.682 V + 3682 V	_____ _____ _____	_____ _____ _____	+ 3.895 V + 3.918 V + 3.918 V
CH4	1.0 V Vert scale setting, 0 Div position setting, 0 V offset 0 Div position setting, +2.0 V offset 0 Div position setting, -2.0 V offset	+ 7.410 V + 5.826 V + 5.826 V	_____ _____ _____	_____ _____ _____	+ 7.790 V + 6.174 V + 6.174 V

CSA7000B & TDS7000B Test Record (cont.)

Instrument Serial Number: _____ Certificate Number: _____
 Temperature: _____ RH %: _____
 Date of Calibration: _____ Technician: _____

Instrument performance test		Minimum	Incoming	Outgoing	Maximum
Offset accuracy, CSA7404B, TDS7404B, TDS7254B, & TDS7154B					
CH1	2 mV Vert scale setting, 0 Div position setting, +0.5 V offset 0 Div position setting, 0 V offset 0 Div position setting, -0.5 V offset	+ 497.3 mV - 1.7 mV - 502.7 mV	_____ _____ _____	_____ _____ _____	+ 502.7 mV + 1.7 mV - 497.3 mV
CH1	50 mV Vert scale setting, 0 Div position setting, +0.5 V offset 0 Div position setting, 0 V offset 0 Div position setting, -0.5 V offset	+ 491.75 mV - 6.5 mV - 508.25 mV	_____ _____ _____	_____ _____ _____	+ 508.25 mV + 6.5 mV - 491.75 mV
CH1	100 mV Vert scale setting, 0 Div position setting, +5 V offset 0 Div position setting, 0 V offset 0 Div position setting, -5 V offset	+ 4.9575 V - 25 mV - 5.0425 V	_____ _____ _____	_____ _____ _____	+ 5.0425 V + 25 mV - 4.9575 V
CH1	500 mV Vert scale setting, 0 Div position setting, +5 V offset 0 Div position setting, 0 V offset 0 Div position setting, -5 V offset	+ 4.9175 V - 65 mV - 5.0825 V	_____ _____ _____	_____ _____ _____	+ 5.0825 V + 65 mV - 4.9175 V
CH1	1.0 V Vert scale setting, 0 Div position setting, +2.5 V offset 0 Div position setting, 0 V offset 0 Div position setting, -2.5 V offset	+ 2.37625 V - 115 mV - 2.62375 V	_____ _____ _____	_____ _____ _____	+ 2.62375 V + 115 mV - 2.37625 V
CH2	2 mV Vert scale setting, 0 Div position setting, +0.5 V offset 0 Div position setting, 0 V offset 0 Div position setting, -0.5 V offset	+ 497.3 mV - 1.7 mV - 502.7 mV	_____ _____ _____	_____ _____ _____	+ 502.7 mV + 1.7 mV - 497.3 mV
CH2	50 mV Vert scale setting, 0 Div position setting, +0.5 V offset 0 Div position setting, 0 V offset 0 Div position setting, -0.5 V offset	+ 491.75 mV - 6.5 mV - 508.25 mV	_____ _____ _____	_____ _____ _____	+ 508.25 mV + 6.5 mV - 491.75 mV
CH2	100 mV Vert scale setting, 0 Div position setting, +5 V offset 0 Div position setting, 0 V offset 0 Div position setting, -5 V offset	+ 4.9575 V - 25 mV - 5.0425 V	_____ _____ _____	_____ _____ _____	+ 5.0425 V + 25 mV - 4.9575 V
CH2	500 mV Vert scale setting, 0 Div position setting, +5 V offset 0 Div position setting, 0 V offset 0 Div position setting, -5 V offset	+ 4.9175 V - 65 mV - 5.0825 V	_____ _____ _____	_____ _____ _____	+ 5.0825 V + 65 mV - 4.9175 V
CH2	1.0 V Vert scale setting, 0 Div position setting, +2.5 V offset 0 Div position setting, 0 V offset 0 Div position setting, -2.5 V offset	+ 2.37625 V - 115 mV - 2.62375 V	_____ _____ _____	_____ _____ _____	+ 2.62375 V + 115 mV - 2.37625 V

CSA7000B & TDS7000B Test Record (cont.)

Instrument Serial Number: _____ Certificate Number: _____
 Temperature: _____ RH %: _____
 Date of Calibration: _____ Technician: _____

Instrument performance test		Minimum	Incoming	Outgoing	Maximum
CH3	2 mV Vert scale setting, 0 Div position setting, +0.5 V offset 0 Div position setting, 0 V offset 0 Div position setting, -0.5 V offset	+ 497.3 mV - 1.7 mV - 502.7 mV	_____ _____ _____	_____ _____ _____	+ 502.7 mV + 1.7 mV - 497.3 mV
CH3	50 mV Vert scale setting, 0 Div position setting, +0.5 V offset 0 Div position setting, 0 V offset 0 Div position setting, -0.5 V offset	+ 491.75 mV - 6.5 mV - 508.25 mV	_____ _____ _____	_____ _____ _____	+ 508.25 mV + 6.5 mV - 491.75 mV
CH3	100 mV Vert scale setting, 0 Div position setting, +5 V offset 0 Div position setting, 0 V offset 0 Div position setting, -5 V offset	+ 4.9575 V - 25 mV - 5.0425 V	_____ _____ _____	_____ _____ _____	+ 5.0425 V + 25 mV - 4.9575 V
CH3	500 mV Vert scale setting, 0 Div position setting, +5 V offset 0 Div position setting, 0 V offset 0 Div position setting, -5 V offset	+ 4.9175 V - 65 mV - 5.0825 V	_____ _____ _____	_____ _____ _____	+ 5.0825 V + 65 mV - 4.9175 V
CH3	1.0 V Vert scale setting, 0 Div position setting, +2.5 V offset 0 Div position setting, 0 V offset 0 Div position setting, -2.5 V offset	+ 2.37625 V - 115 mV - 2.62375 V	_____ _____ _____	_____ _____ _____	+ 2.62375 V + 115 mV - 2.37625 V
CH4	2 mV Vert scale setting, 0 Div position setting, +0.5 V offset 0 Div position setting, 0 V offset 0 Div position setting, -0.5 V offset	+ 497.3 mV - 1.7 mV - 502.7 mV	_____ _____ _____	_____ _____ _____	+ 502.7 mV + 1.7 mV - 497.3 mV
CH4	50 mV Vert scale setting, 0 Div position setting, +0.5 V offset 0 Div position setting, 0 V offset 0 Div position setting, -0.5 V offset	+ 491.75 mV - 6.5 mV - 508.25 mV	_____ _____ _____	_____ _____ _____	+ 508.25 mV + 6.5 mV - 491.75 mV
CH4	100 mV Vert scale setting, 0 Div position setting, +5 V offset 0 Div position setting, 0 V offset 0 Div position setting, -5 V offset	+ 4.9575 V - 25 mV - 5.0425 V	_____ _____ _____	_____ _____ _____	+ 5.0425 V + 25 mV - 4.9575 V
CH4	500 mV Vert scale setting, 0 Div position setting, +5 V offset 0 Div position setting, 0 V offset 0 Div position setting, -5 V offset	+ 4.9175 V - 65 mV - 5.0825 V	_____ _____ _____	_____ _____ _____	+ 5.0825 V + 65 mV - 4.9175 V
CH4	1.0 V Vert scale setting, 0 Div position setting, +2.5 V offset 0 Div position setting, 0 V offset 0 Div position setting, -2.5 V offset	+ 2.37625 V - 115 mV - 2.62375 V	_____ _____ _____	_____ _____ _____	+ 2.62375 V + 115 mV - 2.37625 V

CSA7000B & TDS7000B Test Record (cont.)

Instrument Serial Number: _____ Certificate Number: _____
 Temperature: _____ RH %: _____
 Date of Calibration: _____ Technician: _____

Instrument performance test		Minimum	Incoming	Outgoing	Maximum
Offset accuracy, TDS7704B					
CH1	2 mV Vert scale setting, +0.5 V offset 0 V offset -0.5 V offset	+ 496.55 mV - 1.7 mV - 503.45 mV	_____ _____ _____	_____ _____ _____	+ 503.45 mV + 1.7 mV - 496.55 mV
CH1	50 mV Vert scale setting, +0.5 V offset 0 V offset -0.5 V offset	+ 491.00 mV - 6.5 mV - 509.00 mV	_____ _____ _____	_____ _____ _____	+ 509.00 mV + 6.5 mV - 491.00 mV
CH1	100 mV Vert scale setting, +5 V offset 0 V offset -5 V offset	+ 4.95 V - 25 mV - 5.05 V	_____ _____ _____	_____ _____ _____	+ 5.05 V + 25 mV - 4.95 V
CH1	500 mV Vert scale setting, +5 V offset 0 V offset -5 V offset	+ 4.91 V - 65 mV - 5.09 V	_____ _____ _____	_____ _____ _____	+ 5.09 V + 65 mV - 4.91 V
CH1	1.0 V Vert scale setting, +2.5 V offset 0 V offset -2.5 V offset	+ 2.3725 V - 115 mV - 2.6275 V	_____ _____ _____	_____ _____ _____	+ 2.6275 V + 115 mV - 2.3725 V
CH2	2 mV Vert scale setting, +0.5 V offset 0 V offset -0.5 V offset	+ 496.55 mV - 1.7 mV - 503.45 mV	_____ _____ _____	_____ _____ _____	+ 503.45 mV + 1.7 mV - 496.55 mV
CH2	50 mV Vert scale setting, +0.5 V offset 0 V offset -0.5 V offset	+ 491.00 mV - 6.5 mV - 509.00 mV	_____ _____ _____	_____ _____ _____	+ 509.00 mV + 6.5 mV - 491.00 mV
CH2	100 mV Vert scale setting, +5 V offset 0 V offset -5 V offset	+ 4.95 V - 25 mV - 5.05 V	_____ _____ _____	_____ _____ _____	+ 5.05 V + 25 mV - 4.95 V
CH2	500 mV Vert scale setting, +5 V offset 0 V offset -5 V offset	+ 4.91 V - 65 mV - 5.068 V	_____ _____ _____	_____ _____ _____	+ 5.068 V + 65 mV - 4.91 V
CH2	1.0 V Vert scale setting, +2.5 V offset 0 V offset -2.5 V offset	+ 2.3725 V - 115 mV - 2.6275 V	_____ _____ _____	_____ _____ _____	+ 2.6275 V + 115 mV - 2.3725 V

CSA7000B & TDS7000B Test Record (cont.)

Instrument Serial Number: _____ Certificate Number: _____
 Temperature: _____ RH %: _____
 Date of Calibration: _____ Technician: _____

Instrument performance test		Minimum	Incoming	Outgoing	Maximum
CH3	2 mV Vert scale setting, +0.5 V offset 0 V offset -0.5 V offset	+ 496.55 mV - 1.7 mV - 503.45 mV	_____ _____ _____	_____ _____ _____	+ 503.45 mV + 1.7 mV - 496.55 mV
CH3	50 mV Vert scale setting, +0.5 V offset 0 V offset -0.5 V offset	+ 491.00 mV - 6.5 mV - 509.00 mV	_____ _____ _____	_____ _____ _____	+ 509.00 mV + 6.5 mV - 491.00 mV
CH3	100 mV Vert scale setting, +5 V offset 0 V offset -5 V offset	+ 4.95 V - 25 mV - 5.05 V	_____ _____ _____	_____ _____ _____	+ 5.05 V + 25 mV - 4.95 V
CH3	500 mV Vert scale setting, +5 V offset 0 V offset -5 V offset	+ 4.91 V - 65 mV - 5.09 V	_____ _____ _____	_____ _____ _____	+ 5.09 V + 65 mV - 4.91 V
CH3	1.0 V Vert scale setting, +2.5 V offset 0 V offset -2.5 V offset	+ 2.3725 V - 115 mV - 2.6275 V	_____ _____ _____	_____ _____ _____	+ 2.6275 V + 115 mV - 2.3725 V
CH4	2 mV Vert scale setting, +0.5 V offset 0 V offset -0.5 V offset	+ 496.55 mV - 1.7 mV - 503.45 mV	_____ _____ _____	_____ _____ _____	+ 503.45 mV + 1.7 mV - 496.55 mV
CH4	50 mV Vert scale setting, +0.5 V offset 0 V offset -0.5 V offset	+ 491.00 mV - 6.5 mV - 509.00 mV	_____ _____ _____	_____ _____ _____	+ 509.00 mV + 6.5 mV - 491.00 mV
CH4	100 mV Vert scale setting, +5 V offset 0 V offset -5 V offset	+ 4.95 V - 25 mV - 5.05 V	_____ _____ _____	_____ _____ _____	+ 5.05 V + 25 mV - 4.95 V
CH4	500 mV Vert scale setting, +5 V offset 0 V offset -5 V offset	+ 4.91 V - 65 mV - 5.09 V	_____ _____ _____	_____ _____ _____	+ 5.09 V + 65 mV - 4.91 V
CH4	1.0 V Vert scale setting, +2.5 V offset 0 V offset -2.5 V offset	+ 2.3725 V - 115 mV - 2.6275 V	_____ _____ _____	_____ _____ _____	+ 2.6275 V + 115 mV - 2.3725 V

CSA7000B & TDS7000B Test Record (cont.)

Instrument Serial Number: _____ Certificate Number: _____
 Temperature: _____ RH %: _____
 Date of Calibration: _____ Technician: _____

Instrument performance test		Minimum	Incoming	Outgoing	Maximum
Maximum input voltage, CSA7404B, TDS7404B, TDS7254B, & TDS7154B					
CH1	50 mV Vert scale setting, +1 V input +3 V input	Pass Pass	_____ _____	_____ _____	N/A N/A
CH1	1 V Vert scale setting, +5 V input +10 V input	Pass Pass	_____ _____	_____ _____	N/A N/A
CH2	50 mV Vert scale setting, +1 V input +3 V input	Pass Pass	_____ _____	_____ _____	N/A N/A
CH2	1 V Vert scale setting, +5 V input +10 V input	Pass Pass	_____ _____	_____ _____	N/A N/A
CH3	50 mV Vert scale setting, +1 V input +3 V input	Pass Pass	_____ _____	_____ _____	N/A N/A
CH3	1 V Vert scale setting, +5 V input +10 V input	Pass Pass	_____ _____	_____ _____	N/A N/A
CH4	50 mV Vert scale setting, +1 V input +3 V input	Pass Pass	_____ _____	_____ _____	N/A N/A
CH4	1 V Vert scale setting, +5 V input +10 V input	Pass Pass	_____ _____	_____ _____	N/A N/A
Maximum input voltage, TDS7704B					
CH1	50 mV Vert scale setting, +1 V input +3 V input	Pass Pass	_____ _____	_____ _____	N/A N/A
CH1	1 V Vert scale setting, +6.5 V input +9 V input	Pass Pass	_____ _____	_____ _____	N/A N/A
CH2	50 mV Vert scale setting, +1 V input +3 V input	Pass Pass	_____ _____	_____ _____	N/A N/A
CH2	1 V Vert scale setting, +6.5 V input +9 V input	Pass Pass	_____ _____	_____ _____	N/A N/A

Performance Tests

CSA7000B & TDS7000B Test Record (cont.)

Instrument Serial Number: _____ Certificate Number: _____
 Temperature: _____ RH %: _____
 Date of Calibration: _____ Technician: _____

Instrument performance test		Minimum	Incoming	Outgoing	Maximum
CH3	50 mV Vert scale setting, +1 V input +3 V input	Pass Pass	_____ _____	_____ _____	N/A N/A
CH3	1 V Vert scale setting, +6.5 V input +9 V input	Pass Pass	_____ _____	_____ _____	N/A N/A
CH4	50 mV Vert scale setting, +1 V input +3 V input	Pass Pass	_____ _____	_____ _____	N/A N/A
CH4	1 V Vert scale setting, +6.5 V input +9 V input	Pass Pass	_____ _____	_____ _____	N/A N/A

Analog bandwidth

CH1	1 V	3.535 V	_____	_____	N/A
	500 mV	2.12 V	_____	_____	N/A
	200 mV	848 mV	_____	_____	N/A
	100 mV	424 mV	_____	_____	N/A
	50 mV	212 mV	_____	_____	N/A
	20 mV	84.8 mV	_____	_____	N/A
	10 mV	42.4 mV	_____	_____	N/A
	5 mV	21.2 mV	_____	_____	N/A
	2 mV	8.48 mV	_____	_____	N/A
CH2	1 V	3.535 V	_____	_____	N/A
	500 mV	2.12 V	_____	_____	N/A
	200 mV	848 V	_____	_____	N/A
	100 mV	424 mV	_____	_____	N/A
	50 mV	212 mV	_____	_____	N/A
	20 mV	84.8 mV	_____	_____	N/A
	10 mV	42.4 mV	_____	_____	N/A
	5 mV	21.2 mV	_____	_____	N/A
	2 mV	8.48 mV	_____	_____	N/A
CH3	1 V	3.535 V	_____	_____	N/A
	500 mV	2.12 V	_____	_____	N/A
	200 mV	848 V	_____	_____	N/A
	100 mV	424 mV	_____	_____	N/A
	50 mV	212 mV	_____	_____	N/A
	20 mV	84.8 mV	_____	_____	N/A
	10 mV	42.4 mV	_____	_____	N/A
	5 mV	21.2 mV	_____	_____	N/A
	2 mV	8.48 mV	_____	_____	N/A

CSA7000B & TDS7000B Test Record (cont.)

Instrument Serial Number: _____ Certificate Number: _____
 Temperature: _____ RH %: _____
 Date of Calibration: _____ Technician: _____

Instrument performance test		Minimum	Incoming	Outgoing	Maximum
CH4	1 V	3.535 V	_____	_____	N/A
	500 mV	2.12 V	_____	_____	N/A
	200 mV	848 V	_____	_____	N/A
	100 mV	424 mV	_____	_____	N/A
	50 mV	212 mV	_____	_____	N/A
	20 mV	84.8 mV	_____	_____	N/A
	10 mV	42.4 mV	_____	_____	N/A
	5 mV	21.2 mV	_____	_____	N/A
	2 mV	8.48 mV	_____	_____	N/A
Delay between channels		N/A	_____	_____	± 30 ps
Channel isolation 1.5 GHz					
	100 mV				
	CH 1	N/A	_____	_____	0.125 divisions
	CH 2	N/A	_____	_____	0.125 divisions
	CH 3	N/A	_____	_____	0.125 divisions
	CH 4	N/A	_____	_____	0.125 divisions
	50 mV				
	CH 1	N/A	_____	_____	0.125 divisions
	CH 2	N/A	_____	_____	0.125 divisions
	CH 3	N/A	_____	_____	0.125 divisions
	CH 4	N/A	_____	_____	0.125 divisions
	10 mV				
	CH 1	N/A	_____	_____	0.125 divisions
	CH 2	N/A	_____	_____	0.125 divisions
	CH 3	N/A	_____	_____	0.125 divisions
	CH 4	N/A	_____	_____	0.125 divisions
	full bandwidth				
	100 mV				
	CH 1	N/A	_____	_____	0.67 divisions
	CH 2	N/A	_____	_____	0.67 divisions
	CH 3	N/A	_____	_____	0.67 divisions
	CH 4	N/A	_____	_____	0.67 divisions
	50 mV				
	CH 1	N/A	_____	_____	0.67 divisions
	CH 2	N/A	_____	_____	0.67 divisions
	CH 3	N/A	_____	_____	0.67 divisions
	CH 4	N/A	_____	_____	0.67 divisions
	10 mV				
	CH 1	N/A	_____	_____	0.67 divisions
	CH 2	N/A	_____	_____	0.67 divisions
	CH 3	N/A	_____	_____	0.67 divisions
	CH 4	N/A	_____	_____	0.67 divisions

Performance Tests

CSA7000B & TDS7000B Test Record (cont.)

Instrument Serial Number: _____ Certificate Number: _____
 Temperature: _____ RH %: _____
 Date of Calibration: _____ Technician: _____

Instrument performance test	Minimum	Incoming	Outgoing	Maximum
Input impedance				
CH1 10 mV	48.75 Ω	_____	_____	51.25 Ω
CH1 100 mV	48.75 Ω	_____	_____	51.25 Ω
CH2 10 mV	48.75 Ω	_____	_____	51.25 Ω
CH2 100 mV	48.75 Ω	_____	_____	51.25 Ω
CH3 10 mV	48.75 Ω	_____	_____	51.25 Ω
CH3 100 mV	48.75 Ω	_____	_____	51.25 Ω
CH4 10 mV	48.75 Ω	_____	_____	51.25 Ω
CH4 100 mV	48.75 Ω	_____	_____	51.25 Ω
Time base system				
Long term sample rate, delay time, and internal reference accuracy	9999.975 kHz	_____	_____	10000.025 kHz
Delta time measurement	N/A	_____	_____	≤ 0.015 ns
Trigger system accuracy				
Time accuracy for pulse, glitch, timeout, and width, Hor. scale 1 ns < time < 1 μ s				
Lower Limit	4.75 ns	_____	_____	5.25 ns
Upper Limit	4.75 ns	_____	_____	5.25 ns
Probe compensation output signal				
Frequency	950 Hz	_____	_____	1.050 kHz
Voltage (difference)	400 mV	_____	_____	600 mV
Serial trigger (Option ST only)				

CSA7000B & TDS7000B Test Record (cont.)

Baud rate limits				
Serial word recognizer				
Signal path 0, Pattern matching 1				
Trigger 1 UI before 0	Pass	_____	_____	N/A
Trigger on 0	Pass	_____	_____	N/A
Trigger 1 UI after 0	Pass	_____	_____	N/A
Signal path 1, Pattern matching 1				
Trigger 1 UI before 1	Pass	_____	_____	N/A
Trigger on 1	Pass	_____	_____	N/A
Trigger 1 UI after 1	Pass	_____	_____	N/A
Pattern matching 0				
Position 1	Pass	_____	_____	N/A
Position 2	Pass	_____	_____	N/A
Position 3	Pass	_____	_____	N/A
Position 4	Pass	_____	_____	N/A
Position 5	Pass	_____	_____	N/A
Position 6	Pass	_____	_____	N/A
Position 7	Pass	_____	_____	N/A
Position 8	Pass	_____	_____	N/A
Position 9	Pass	_____	_____	N/A
Position 10	Pass	_____	_____	N/A
Position 11	Pass	_____	_____	N/A
Position 12	Pass	_____	_____	N/A
Position 13	Pass	_____	_____	N/A
Position 14	Pass	_____	_____	N/A
Position 15	Pass	_____	_____	N/A
Position 16	Pass	_____	_____	N/A
Position 17	Pass	_____	_____	N/A
Position 18	Pass	_____	_____	N/A
Position 19	Pass	_____	_____	N/A
Position 20	Pass	_____	_____	N/A
Position 21	Pass	_____	_____	N/A
Position 22	Pass	_____	_____	N/A
Position 23	Pass	_____	_____	N/A
Position 24	Pass	_____	_____	N/A
Position 25	Pass	_____	_____	N/A
Position 26	Pass	_____	_____	N/A
Position 27	Pass	_____	_____	N/A
Position 28	Pass	_____	_____	N/A
Position 29	Pass	_____	_____	N/A
Position 30	Pass	_____	_____	N/A
Position 31	Pass	_____	_____	N/A
Position 32	Pass	_____	_____	N/A
Position 33	Pass	_____	_____	N/A
Position 34	Pass	_____	_____	N/A
Position 35	Pass	_____	_____	N/A
Position 36	Pass	_____	_____	N/A
Position 37	Pass	_____	_____	N/A
Position 38	Pass	_____	_____	N/A
Position 39	Pass	_____	_____	N/A

Performance Tests

CSA7000B & TDS7000B Test Record (cont.)

Instrument Serial Number: _____ Certificate Number: _____
 Temperature: _____ RH %: _____
 Date of Calibration: _____ Technician: _____

Instrument performance test	Minimum	Incoming	Outgoing	Maximum
Pattern matching 0 (continued)				
Position 40	Pass	_____	_____	N/A
Position 41	Pass	_____	_____	N/A
Position 42	Pass	_____	_____	N/A
Position 43	Pass	_____	_____	N/A
Position 44	Pass	_____	_____	N/A
Position 45	Pass	_____	_____	N/A
Position 46	Pass	_____	_____	N/A
Position 47	Pass	_____	_____	N/A
Position 48	Pass	_____	_____	N/A
Position 49	Pass	_____	_____	N/A
Position 50	Pass	_____	_____	N/A
Position 51	Pass	_____	_____	N/A
Position 52	Pass	_____	_____	N/A
Position 53	Pass	_____	_____	N/A
Position 54	Pass	_____	_____	N/A
Position 55	Pass	_____	_____	N/A
Position 56	Pass	_____	_____	N/A
Position 57	Pass	_____	_____	N/A
Position 58	Pass	_____	_____	N/A
Position 59	Pass	_____	_____	N/A
Position 60	Pass	_____	_____	N/A
Position 61	Pass	_____	_____	N/A
Position 62	Pass	_____	_____	N/A
Position 63	Pass	_____	_____	N/A
Position 64	Pass	_____	_____	N/A
Clock recovery frequency range	Pass	_____	_____	N/A

CSA7000B & TDS7000B Test Record (cont.)

Instrument Serial Number: _____ Certificate Number: _____
 Temperature: _____ RH %: _____
 Date of Calibration: _____ Technician: _____

Instrument performance test	Minimum	Incoming	Outgoing	Maximum
Optical-to-electrical converter (CSA7000B Series only)				
Dark level,				
10 μ W	N/A	_____	_____	2.6 μ W
20 μ W	N/A	_____	_____	3.6 μ W
50 μ W	N/A	_____	_____	6.6 μ W
O/E noise output, maximum				
CSA7404B				
1550 and 1310 nm	N/A	_____	_____	4.35 μ W
850 nm	N/A	_____	_____	5.35 μ W
750 nm	N/A	_____	_____	5.85 μ W
O/E gain				
780 nm	27 mV	_____	_____	N/A
850 nm	33 mV	_____	_____	N/A
1310 nm	64 mV	_____	_____	N/A
1550 nm	64 mV	_____	_____	N/A
System bandwidth (O/E, O/E-to-CH1 input adaptor, Communications Signal Analyzer)				
CSA7404B				
2.4 GHz	2.4 GHz	_____	_____	N/A

Signal Acquisition System Checks

These procedures check those characteristics that relate to the signal-acquisition system and are listed as checked under *Warranted Characteristics* in *Specifications*. Refer to Table 4-2 on page 4-18 for test equipment specifications.

Check DC Voltage Measurement Accuracy

Equipment required	Two dual-banana connectors (Item 5) One BNC T connector (Item 6) One DC calibration generator (Item 9) One SMA male-to-female BNC adapter (Item 19) Two precision 50 Ω coaxial cables (Item 4)
Prerequisites	The instrument must meet the prerequisites listed on page 4-17



WARNING. *The generator is capable of outputting dangerous voltages. Be sure to set the DC calibration generator to off or 0 volts before connecting, disconnecting, and/or moving the test hookup during the performance of this procedure. Also, check that the calibrator does not have shorting straps installed between the DC output, sense input, or grounds.*

1. *Install the test hookup and preset the instrument controls:*
 - a. *Hook up the test-signal source:*
 - Set the output of a DC calibration generator to off or 0 volts.
 - Connect the output of a DC calibration generator through a dual-banana connector followed by a 50 Ω precision coaxial cable to one side of a BNC T connector. See Figure 4-7.
 - Connect the Sense input of the generator through a second dual-banana connector followed by a 50 Ω precision coaxial cable to the other side of the BNC T connector. Now connect the BNC T connector to **CH 1** through an adapter. See Figure 4-7.

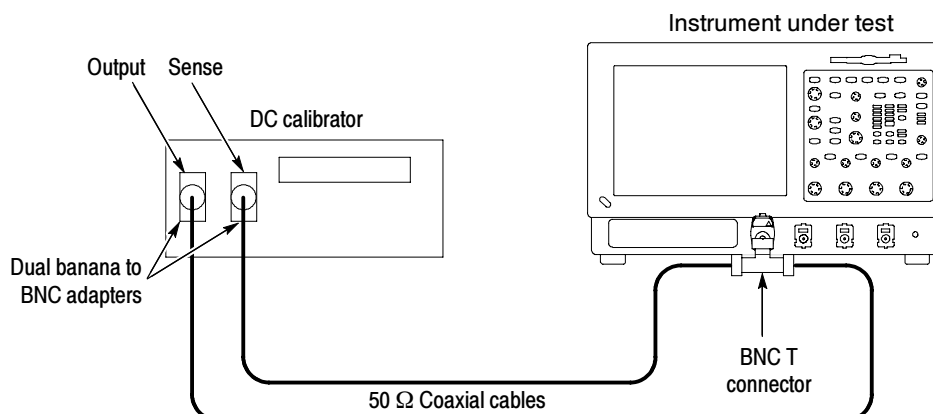


Figure 4-7: Initial test hookup

- b. *Initialize the instrument:* Press **DEFAULT SETUP**.
 - c. *Modify the default settings:*
 - From the tool bar, touch **Horiz** and select the **Acquisition** tab.
 - Touch **Average** and set the number of averages to **16**.
2. *Confirm input channels are within limits for DC accuracy at maximum offset and position:* Do the following substeps — test CH 1 first, *skipping substep 2a since CH 1 is already selected from step 1.*
 - a. *Select an unchecked channel:*
 - From the tool bar, touch **MEAS** and then **Clear** to remove the previous measurement.
 - Press the Vertical button of the channel just confirmed to remove the channel from the display.
 - Press the front-panel Vertical button that corresponds to the channel you are to confirm.
 - Set the generator output to 0 V.
 - Move the test hookup to the channel you selected.
 - b. *Turn on the measurement Mean for the channel:*
 - From the tool bar, touch **MEAS** and select the **Ampl** tab, then touch **Mean** to measure the mean of the current channel.
 - Touch Setup **Statistics** and touch Measurement Statistics **Mean** to display the measurement statistics of the mean measurement.

- Press **Close**.
- c. *Set the vertical scale:* Set the vertical **SCALE** to one of the settings listed in Table 4-3 that is not yet checked. (Start with the first setting listed).

Table 4-3: DC Voltage measurement accuracy

Scale setting	Position setting (Divs)	Offset setting ¹	Generator setting	Accuracy limits
CSA7404B, TDS7404B, TDS7254B, & TDS7154B				
2 mV	-5	+0.5 V	+516 mV	+512.79 mV to +519.21 mV
	+5	-0.5 V	-516 mV	-519.21 mV to -512.79 V
50 mV	-5	+0.5 V	+900 mV	+881.63 mV to +918.38 mV
	+5	-0.5 V	-900 mV	-918.38 mV to -881.63 mV
100 mV	-5	+4.8 V	+5.0 V	+4.9393 V to 5.0607 V
	+5	-4.8 V	-5.0 V	-5.0607 V to -4.9393 V
1 V	-5	+2.5 V	+4.5 V	+4.1738 V to 4.8263 V
	+5	-2.5 V	-4.5 V	-4.8263 V to -4.1738 V
TDS7704B				
2 mV	-5	+0.5 V	+516 mV	+511.99 mV to +520.01 mV
	+5	-0.5 V	-516 mV	-520.01 mV to -511.99 V
50 mV	-5	+0.5 V	+900 mV	+879.75 mV to +920.25 mV
	+5	-0.5 V	-900 mV	-920.25 mV to -879.75 mV
100 mV	-5	+4.8 V	+5.0 V	+4.9298 V to 5.0702 V
	+5	-4.8 V	-5.0 V	-5.0702 V to -4.9298 V
1 V	-5	+2.5 V	+4.5 V	+4.1475 V to 4.8525 V
	+5	-2.5 V	-4.5 V	-4.8525 V to -4.1475 V

¹ Set as precisely as the instrument's offset resolution permits.

- d. *Display the test signal:*
- From the tool bar touch **VERT** and touch **Position**.
 - Use the keypad to set vertical position to -5 divisions (press **CLR**, **5**, **-**, and then **ENTER**, on the keypad). The baseline level will move off screen.
 - Touch **Offset**.

- Use the keypad to set vertical offset to the positive-polarity setting listed in the table for the current vertical scale setting. The baseline level will remain off screen.
 - Set the generator to the level and polarity indicated in the table for the vertical scale, position, and offset settings you have made. (For some settings it is possible that the DC test level appears off screen, while the measured mean value is within tolerance.)
- e. *Measure the test signal:* Press **Close**. Read the measurement results at the measurement statistics μ measurement readout. See Figure 4-8.

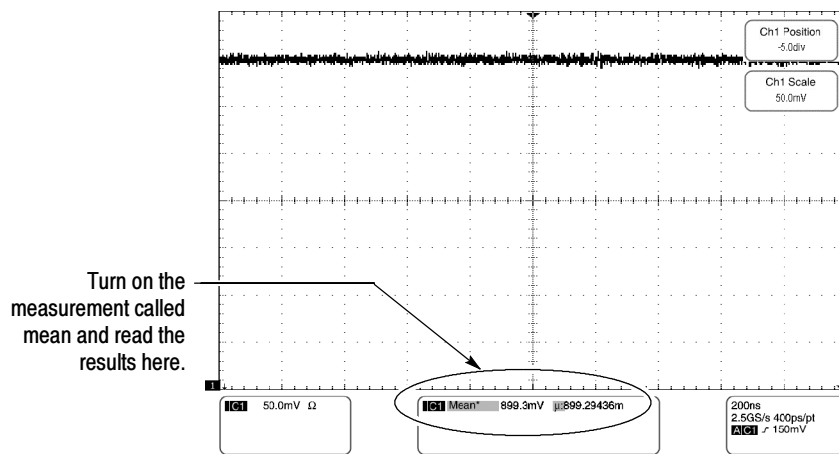


Figure 4-8: Measurement of DC accuracy at maximum offset and position

- f. *Check against limits:*
- CHECK that the readout for the measurement μ readout on screen is within the limits listed for the current vertical scale and position/offset/generator settings. Enter value on test record.
 - Repeat substep d, reversing the polarity of the position, offset, and generator settings as is listed in the table.
 - CHECK that the μ measurement readout on screen is within the limits listed for the current vertical scale setting and position/offset/generator settings. Enter value on test record.
 - Repeat substeps c through f until all vertical scale settings, listed in Table 4-3, are checked for the channel under test.
- g. *Test all channels:* Repeat substeps a through f for all four channels.

3. *Disconnect the hookup:*
 - a. *Set the generator output to 0 V.*
 - b. *Disconnect the cable and adapter from the generator output and the input connector of the channel last tested.*

Check DC Gain Accuracy

Equipment required	Two dual-banana connectors (Item 5) One BNC T connector (Item 6) One DC calibration generator (Item 9) One SMA male-to-female BNC adapter (Item 19) Two precision 50 Ω coaxial cables (Item 4)
Prerequisites	The instrument must meet the prerequisites listed on page 4-17



WARNING. *The generator is capable of outputting dangerous voltages. Be sure to set the DC calibration generator to off or 0 volts before connecting, disconnecting, and/or moving the test hookup during the performance of this procedure. Also, check that the calibrator does not have shorting straps installed between the DC output, sense input, or grounds.*

1. *Install the test hookup and preset the instrument controls:*
 - a. *Hook up the test-signal source:*
 - Set the output of a DC calibration generator to off or 0 volts.
 - Connect the output of a DC calibration generator through a dual-banana connector followed by a 50 Ω precision coaxial cable to one side of a BNC T connector. See Figure 4-9.
 - Connect the Sense input of the generator through a second dual-banana connector followed by a 50 Ω precision coaxial cable to the other side of the BNC T connector. Now connect the BNC T connector to **CH 1** through an adapter. See Figure 4-9.

- Press **Close**.

- c. *Set the vertical scale:* Set the vertical **SCALE** to one of the settings in Table 4-4 that is not yet checked. (Start with the first setting listed).

Table 4-4: Gain accuracy

Channel	Scale setting	Position setting (Divs)	Offset setting	Generator setting	Measurement mean	Difference of measurement means	Accuracy limits		
CSA7404B, TDS7404B, TDS7254B, & TDS7154B									
CH1	2 mV	0	0 V	+7.60 mV			+14.80 mV to +15.60 mV		
				-7.60 mV					
		-5	+0.5 V	+517.6 mV				+14.40 mV to +16.00 mV	
				+502.4 mV					
		5	-0.5 V	-502.4 mV					+14.40 mV to +16.00 mV
				-517.6 mV					
	5 mV	0	0 V	+19.0 mV			+37.24 mV to +38.76 mV		
				-19.0 mV					
		-5	+0.5 V	+544 mV				+36.84 mV to +39.16 mV	
				+506 mV					
		5	-0.5 V	-506 mV					+36.84 mV to +39.16 mV
				-544 mV					
	10 mV	0	0 V	+38.0 mV			+74.48 mV to +77.52 mV		
				-38.0 mV					
		-5	+0.5 V	+588 mV				+73.64 mV to +78.36 mV	
				+512 mV					
		5	-0.5 V	-512 mV					+73.64 mV to +78.36 mV
				-588 mV					
	20 mV	0	0 V	+76.0 mV			+149.0 mV to +155.0 mV		
				-76.0 mV					
-5		+0.5 V	+676.0 mV			+147.1 mV to +156.9 mV			
			+524.0 mV						
5		-0.5 V	-524.0 mV					+147.1 mV to +156.9 mV	
			-676.0 mV						
50 mV	0	0 V	+190 mV				+372.4 mV to +387.6 mV		
			-190 mV						
	-5	+0.5 V	+940 mV			+366.7 mV to +393.3 mV			

Table 4-4: Gain accuracy (Cont.)

Channel	Scale setting	Position setting (Divs)	Offset setting	Generator setting	Measurement mean	Difference of measurement means	Accuracy limits
		5	-0.5 V	+560 mV			+366.7 mV to +393.3 mV
				-560 mV			
				-940 mV			
	100 mV	0	0 V	+380 mV			+744.8 mV to +775.2 mV
				-380 mV			
		0	+4.5 V	+4.88 V			+738.0 mV to +782.0 mV
				+4.12 V			
		0	-4.5 V	-4.12 V			+738.0 mV to +782.0 mV
				-4.88 V			
	200 mV	0	0 V	+760 mV			+1.490 V to +1.550 V
				-760 mV			
		2	+4.6 V	+4.96 V			+1.477 V to +1.563 V
				+3.44 V			
		-2	-4.6 V	-3.44 V			+1.477 V to +1.563V
				-4.96 V			
	500 mV	0	0 V	+1.90 V			+3.724 V to +3.876 V
				-1.90 V			
		4	+5 V	+4.90 V			+3.701 V to +3.899 V
+1.10 V							
-4		-5 V	-1.10 V			+3.701 V to +3.899 V	
			-4.90 V				
1 V	0	0 V	+3.80 V			+7.448 V to +7.752 V	
			-3.80 V				
	0	+2.0 V	+5.00 V			+5.856 V to +6.144 V	
			-1.00 V				
	0	-2.0 V	+1.00 V			+5.856 V to +6.144 V	
			-5.00 V				

Table 4-4: Gain accuracy (Cont.)

Channel	Scale setting	Position setting (Divs)	Offset setting	Generator setting	Measurement mean	Difference of measurement means	Accuracy limits	
CH2	2 mV	0	0 V	+7.60 mV			+14.80 mV to +15.60 mV	
				-7.60 mV				
		-5	+0.5 V	+517.6 mV				+14.40 mV to +16.00 mV
				+502.4 mV				
		5	-0.5 V	-502.4 mV				+14.40 mV to +16.00 mV
				-517.6 mV				
	5 mV	0	0 V	+19.0 mV			+37.24 mV to +38.76 mV	
				-19.0 mV				
		-5	+0.5 V	+544 mV				+36.84 mV to +39.16 mV
				+506 mV				
		5	-0.5 V	-506 mV				+36.84 mV to +39.16 mV
				-544 mV				
	10 mV	0	0 V	+38.0 mV			+74.48 mV to +77.52 mV	
				-38.0 mV				
		-5	+0.5 V	+588 mV				+73.64 mV to +78.36 mV
				+512 mV				
		5	-0.5 V	-512 mV				+73.64 mV to +78.36 mV
				-588 mV				
	20 mV	0	0 V	+76.0 mV			+149.0 mV to +155.0 mV	
				-76.0 mV				
-5		+0.5 V	+676.0 mV		+147.1 mV to +156.9 mV			
			+524.0 mV					
5		-0.5 V	-524.0 mV		+147.1 mV to +156.9 mV			
			-676.0 mV					
50 mV	0	0 V	+190 mV		+372.4 mV to +387.6 mV			
			-190 mV					
	-5	+0.5 V	+940 mV			+366.7 mV to +393.3 mV		
			+560 mV					
	5	-0.5 V	-560 mV			+366.7 mV to +393.3 mV		
			-940 mV					
100 mV	0	0 V	+380 mV		+744.8 mV to +775.2 mV			

Table 4-4: Gain accuracy (Cont.)

Channel	Scale setting	Position setting (Divs)	Offset setting	Generator setting	Measurement mean	Difference of measurement means	Accuracy limits
				-380 mV			
		0	+4.5 V	+4.88 V			+738.0 mV to +782.0 mV
				+4.12 V			
		0	-4.5 V	-4.12 V			+738.0 mV to +782.0 mV
				-4.88 V			
	200 mV	0	0 V	+760 mV			+1.490 V to +1.550 V
				-760 mV			
		2	+4.6 V	+4.96 V			+1.477 V to +1.563 V
				+3.44 V			
		-2	-4.6 V	-3.44 V			+1.477 V to +1.563V
				-4.96 V			
	500 mV	0	0 V	+1.90 V			+3.724 V to +3.876 V
				-1.90 V			
		4	+5 V	+4.90 V			+3.701 V to +3.899 V
				+1.10 V			
		-4	-5 V	-1.10 V			+3.701 V to +3.899 V
				-4.90 V			
	1 V	0	0 V	+3.80 V			+7.448 V to +7.752 V
				-3.80 V			
		0	+2.0 V	+5.00 V			+5.856 V to +6.144 V
				-1.00 V			
		0	-2.0 V	+1.00 V			+5.856 V to +6.144 V
				-5.00 V			

Table 4-4: Gain accuracy (Cont.)

Channel	Scale setting	Position setting (Divs)	Offset setting	Generator setting	Measurement mean	Difference of measurement means	Accuracy limits		
CH3	2 mV	0	0 V	+7.60 mV			+14.80 mV to +15.60 mV		
				-7.60 mV					
		-5	+0.5 V		+517.6 mV				+14.40 mV to +16.00 mV
					+502.4 mV				
		5	-0.5 V		-502.4 mV				+14.40 mV to +16.00 mV
					-517.6 mV				
	5 mV	0	0 V	+19.0 mV			+37.24 mV to +38.76 mV		
				-19.0 mV					
		-5	+0.5 V		+544 mV				+36.84 mV to +39.16 mV
					+506 mV				
		5	-0.5 V		-506 mV				+36.84 mV to +39.16 mV
					-544 mV				
	10 mV	0	0 V	+38.0 mV			+74.48 mV to +77.52 mV		
				-38.0 mV					
		-5	+0.5 V		+588 mV				+73.64 mV to +78.36 mV
					+512 mV				
		5	-0.5 V		-512 mV				+73.64 mV to +78.36 mV
					-588 mV				
	20 mV	0	0 V	+76.0 mV			+149.0 mV to +155.0 mV		
				-76.0 mV					
-5		+0.5 V		+676.0 mV				+147.1 mV to +156.9 mV	
				+524.0 mV					
5		-0.5 V		-524.0 mV				+147.1 mV to +156.9 mV	
				-676.0 mV					
50 mV	0	0 V	+190 mV			+372.4 mV to +387.6 mV			
			-190 mV						
	-5	+0.5 V		+940 mV				+366.7 mV to +393.3 mV	
				+560 mV					
	5	-0.5 V		-560 mV				+366.7 mV to +393.3 mV	
				-940 mV					
100 mV	0	0 V	+380 mV			+744.8 mV to +775.2 mV			

Table 4-4: Gain accuracy (Cont.)

Channel	Scale setting	Position setting (Divs)	Offset setting	Generator setting	Measurement mean	Difference of measurement means	Accuracy limits
				-380 mV			
		0	+4.5 V	+4.88 V			+738.0 mV to +782.0 mV
				+4.12 V			
		0	-4.5 V	-4.12 V			+738.0 mV to +782.0 mV
				-4.88 V			
	200 mV	0	0 V	+760 mV			+1.490 V to +1.550 V
				-760 mV			
		2	+4.6 V	+4.96 V			+1.477 V to +1.563 V
				+3.44 V			
		-2	-4.6 V	-3.44 V			+1.477 V to +1.563V
				-4.96 V			
	500 mV	0	0 V	+1.90 V			+3.724 V to +3.876 V
				-1.90 V			
		4	+5 V	+4.90 V			+3.701 V to +3.899 V
				+1.10 V			
		-4	-5 V	-1.10 V			+3.701 V to +3.899 V
				-4.90 V			
	1 V	0	0 V	+3.80 V			+7.448 V to +7.752 V
				-3.80 V			
		0	+2.0 V	+5.00 V			+5.856 V to +6.144 V
				-1.00 V			
		0	-2.0 V	+1.00 V			+5.856 V to +6.144 V
				-5.00 V			

Table 4-4: Gain accuracy (Cont.)

Channel	Scale setting	Position setting (Divs)	Offset setting	Generator setting	Measurement mean	Difference of measurement means	Accuracy limits		
CH4	2 mV	0	0 V	+7.60 mV			+14.80 mV to +15.60 mV		
				-7.60 mV					
		-5	+0.5 V		+517.6 mV				+14.40 mV to +16.00 mV
					+502.4 mV				
		5	-0.5 V		-502.4 mV				+14.28 mV to +16.00 mV
					-517.6 mV				
	5 mV	0	0 V	+19.0 mV			+37.40 mV to +38.76 mV		
				-19.0 mV					
		-5	+0.5 V		+544 mV				+36.84 mV to +39.16 mV
					+506 mV				
		5	-0.5 V		-506 mV				+36.84 mV to +39.16 mV
					-544 mV				
	10 mV	0	0 V	+38.0 mV			+74.48 mV to +77.52 mV		
				-38.0 mV					
		-5	+0.5 V		+588 mV				+73.64 mV to +78.36 mV
					+512 mV				
		5	-0.5 V		-512 mV				+73.64 mV to +78.36 mV
					-588 mV				
	20 mV	0	0 V	+76.0 mV			+149.0 mV to +155.0 mV		
				-76.0 mV					
-5		+0.5 V		+676.0 mV				+147.1 mV to +156.9 mV	
				+524.0 mV					
5		-0.5 V		-524.0 mV				+147.1 mV to +156.9 mV	
				-676.0 mV					
50 mV	0	0 V	+190 mV			+372.4 mV to +387.6 mV			
			-190 mV						
	-5	+0.5 V		+940 mV				+366.7 mV to +393.3 mV	
				+560 mV					
	5	-0.5 V		-560 mV				+366.7 mV to +393.3 mV	
				-940 mV					
100 mV	0	0 V	+380 mV			+744.8 mV to +775.2 mV			

Table 4-4: Gain accuracy (Cont.)

Channel	Scale setting	Position setting (Divs)	Offset setting	Generator setting	Measurement mean	Difference of measurement means	Accuracy limits
				-380 mV			
		0	+4.5 V	+4.88 V			+738.0 mV to +782.0 mV
				+4.12 V			
		0	-4.5 V	-4.12 V			+738.0 mV to +782.0 mV
				-4.88 V			
	200 mV	0	0 V	+760 mV			+1.490 V to +1.550 V
				-760 mV			
		2	+4.6 V	+4.96 V			+1.477 V to +1.563 V
				+3.44 V			
		-2	-4.6 V	-3.44 V			+1.477 V to +1.563V
				-4.96 V			
	500 mV	0	0 V	+1.90 V			+3.724 V to +3.876 V
				-1.90 V			
		4	+5 V	+4.90 V			+3.701 V to +3.899 V
				+1.10 V			
		-4	-5 V	-1.10 V			+3.701 V to +3.899 V
				-4.90 V			
	1 V	0	0 V	+3.80 V			+7.448 V to +7.752 V
				-3.80 V			
		0	+2.0 V	+5.00 V			+5.856 V to +6.144 V
				-1.00 V			
		0	-2.0 V	+1.00 V			+5.856 V to +6.144 V
				-5.00 V			

Table 4-4: Gain accuracy (Cont.)

Channel	Scale setting	Position setting (Divs)	Offset setting	Generator setting	Measurement mean	Difference of measurement means	Accuracy limits	
TDS7704B								
CH1	2 mV	0	0 V	+7.60 mV			+14.74 mV to +15.66 mV	
				-7.60 mV				
		-5	+0.5 V		+517.6 mV			+14.28 mV to +16.12 mV
					+502.4 mV			
		5	-0.5 V		-502.4 mV			+14.28 mV to +16.12 mV
					-517.6 mV			
	5 mV	0	0 V	+19.0 mV			+37.05 mV to +38.95 mV	
				-19.0 mV				
		-5	+0.5 V		+544 mV			+36.65 mV to +39.35 mV
					+506 mV			
		5	-0.5 V		-506 mV			+36.65 mV to +39.35 mV
					-544 mV			
	10 mV	0	0 V	+38.0 mV			+74.10 mV to +77.90 mV	
				-38.0 mV				
		-5	+0.5 V		+588 mV			+73.26 mV to +78.74 mV
					+512 mV			
		5	-0.5 V		-512 mV			+73.26 mV to +78.74 mV
					-588 mV			
	20 mV	0	0 V	+76.0 mV			+148.2 mV to +155.8 mV	
				-76.0 mV				
		-5	+0.5 V		+676 mV			+146.4 mV to +157.6 mV
					+524 mV			
		5	-0.5 V		-524 mV			+146.4 mV to +157.6 mV
					-676 mV			
50 mV	0	0 V	+190 mV			+370.5 mV to +389.5 mV		
			-190 mV					
	-5	+0.5 V		+940 mV			+364.8 mV to +395.2 mV	
				+560 mV				
	5	-0.5 V		-560 mV			+364.8 mV to +395.2 mV	
				-940 mV				

Table 4-4: Gain accuracy (Cont.)

Channel	Scale setting	Position setting (Divs)	Offset setting	Generator setting	Measurement mean	Difference of measurement means	Accuracy limits	
	100 mV	0	0 V	+380 mV			+741.0 mV to +779.0 mV	
				-380 mV				
		0	+4.5 V		+4.88 V			+734.2 mV to +785.8 mV
					+4.12 V			
		0	-4.5 V		-4.12 V			+734.2 mV to +785.8 mV
					-4.88V			
	200 mV	0	0 V	0 V	+760 mV			+1.482 V to +1.558 V
					-760 mV			
		2	+4.6 V		+4.96 V			+1.469 V to +1.571 V
+3.44 V								
-2		-4.6 V		-3.44 V			+1.469 V to +1.571 V	
				-4.96 V				
500 mV	0	0 V	0 V	+1.90 V			+3.705 V to +3.895 V	
				-1.90 V				
	4	+5 V		+4.90 V			+3.682 V to +3.918 V	
				+1.10 V				
	-4	-5 V		-1.10 V			+3.682 V to +3.918 V	
				-4.90 V				
1 V	0	0 V	0 V	+3.80 V			+7.410 V to +7.790 V	
				-3.80 V				
	0	+2.0 V		+5.00 V			+5.826 V to +6.174 V	
				-1.00 V				
	0	-2.0 V		+1.00 V			+5.826 V to +6.174 V	
				-5.00 V				

Table 4-4: Gain accuracy (Cont.)

Channel	Scale setting	Position setting (Divs)	Offset setting	Generator setting	Measurement mean	Difference of measurement means	Accuracy limits		
CH2	2 mV	0	0 V	+7.60 mV			+14.74 mV to +15.66 mV		
				-7.60 mV					
		-5	+0.5 V		+517.6 mV				+14.28 mV to +16.12 mV
					+502.4 mV				
		5	-0.5 V		-502.4 mV				+14.28 mV to +16.12 mV
					-517.6 mV				
	5 mV	0	0 V	0 V	+19.0 mV			+37.05 mV to +38.95 mV	
					-19.0 mV				
		-5	+0.5 V		+544 mV				+36.65 mV to +39.35 mV
					+506 mV				
		5	-0.5 V		-506 mV				+36.65 mV to +39.35 mV
					-544 mV				
	10 mV	0	0 V	0 V	+38.0 mV			+74.10 mV to +77.90 mV	
					-38.0 mV				
		-5	+0.5 V		+588 mV				+73.26 mV to +78.74 mV
					+512 mV				
		5	-0.5 V		-512 mV				+73.26 mV to +78.74 mV
					-588 mV				
	20 mV	0	0 V	0 V	+76.0 mV			+148.2 mV to +155.8 mV	
					-76.0 mV				
-5		+0.5 V		+676 mV			+146.4 mV to +157.6 mV		
				+524 mV					
5		-0.5 V		-524 mV			+146.4 mV to +157.6 mV		
				-676 mV					
50 mV	0	0 V	0 V	+190 mV			+370.5 mV to +389.5 mV		
				-190 mV					
	-5	+0.5 V		+940 mV				+364.8 mV to +395.2 mV	
				+560 mV					
	5	-0.5 V		-560 mV				+364.8 mV to +395.2 mV	
				-940 mV					
100 mV	0	0 V	0 V	+380 mV			+741.0 mV to +779.0 mV		

Table 4-4: Gain accuracy (Cont.)

Channel	Scale setting	Position setting (Divs)	Offset setting	Generator setting	Measurement mean	Difference of measurement means	Accuracy limits
				-380 mV			
		0	+4.5 V	+4.88 V			+734.2 mV to +785.8 mV
				+4.12 V			
		0	-4.5 V	-4.12 V			+734.2 mV to +785.8 mV
				-4.88V			
	200 mV	0	0 V	+760 mV			+1.482 V to +1.558 V
				-760 mV			
		2	+4.6 V	+4.96 V			+1.469 V to +1.571 V
				+3.44 V			
		-2	-4.6 V	-3.44 V			+1.469 V to +1.571 V
				-4.96 V			
	500 mV	0	0 V	+1.90 V			+3.705 V to +3.895 V
				-1.90 V			
		4	+5 V	+4.90 V			+3.682 V to +3.918 V
				+1.10 V			
		-4	-5 V	-1.10 V			+3.682 V to +3.918 V
				-4.90 V			
	1 V	0	0 V	+3.80 V			+7.410 V to +7.790 V
				-3.80 V			
		0	+2.0 V	+5.00 V			+5.826 V to +6.174 V
				-1.00 V			
		0	-2.0 V	+1.00 V			+5.826 V to +6.174 V
				-5.00 V			

Table 4-4: Gain accuracy (Cont.)

Channel	Scale setting	Position setting (Divs)	Offset setting	Generator setting	Measurement mean	Difference of measurement means	Accuracy limits		
CH3	2 mV	0	0 V	+7.60 mV			+14.74 mV to +15.66 mV		
				-7.60 mV					
		-5	+0.5 V		+517.6 mV				+14.28 mV to +16.12 mV
					+502.4 mV				
		5	-0.5 V		-502.4 mV				+14.28 mV to +16.12 mV
					-517.6 mV				
	5 mV	0	0 V	+19.0 mV			+37.05 mV to +38.95 mV		
				-19.0 mV					
		-5	+0.5 V		+544 mV				+36.65 mV to +39.35 mV
					+506 mV				
		5	-0.5 V		-506 mV				+36.65 mV to +39.35 mV
					-544 mV				
	10 mV	0	0 V	+38.0 mV			+74.10 mV to +77.90 mV		
				-38.0 mV					
		-5	+0.5 V		+588 mV				+73.26 mV to +78.74 mV
					+512 mV				
		5	-0.5 V		-512 mV				+73.26 mV to +78.74 mV
					-588 mV				
	20 mV	0	0 V	+76.0 mV			+148.2 mV to +155.8 mV		
				-76.0 mV					
-5		+0.5 V		+676 mV				+146.4 mV to +157.6 mV	
				+524 mV					
5		-0.5 V		-524 mV				+146.4 mV to +157.6 mV	
				-676 mV					
50 mV	0	0 V	+190 mV			+370.5 mV to +389.5 mV			
			-190 mV						
	-5	+0.5 V		+940 mV				+364.8 mV to +395.2 mV	
				+560 mV					
	5	-0.5 V		-560 mV				+364.8 mV to +395.2 mV	
				-940 mV					
100 mV	0	0 V	+380 mV			+741.0 mV to +779.0 mV			

Table 4-4: Gain accuracy (Cont.)

Channel	Scale setting	Position setting (Divs)	Offset setting	Generator setting	Measurement mean	Difference of measurement means	Accuracy limits
				-380 mV			
		0	+4.5 V	+4.88 V			+734.2 mV to +785.8 mV
				+4.12 V			
		0	-4.5 V	-4.12 V			+734.2 mV to +785.8 mV
				-4.88V			
	200 mV	0	0 V	+760 mV			+1.482 V to +1.558 V
				-760 mV			
		2	+4.6 V	+4.96 V			+1.469 V to +1.571 V
				+3.44 V			
		-2	-4.6 V	-3.44 V			+1.469 V to +1.571 V
				-4.96 V			
	500 mV	0	0 V	+1.90 V			+3.705 V to +3.895 V
				-1.90 V			
		4	+5 V	+4.90 V			+3.682 V to +3.918 V
				+1.10 V			
		-4	-5 V	-1.10 V			+3.682 V to +3.918 V
				-4.90 V			
	1 V	0	0 V	+3.80 V			+7.410 V to +7.790 V
				-3.80 V			
		0	+2.0 V	+5.00 V			+5.826 V to +6.174 V
				-1.00 V			
		0	-2.0 V	+1.00 V			+5.826 V to +6.174 V
				-5.00 V			

Table 4-4: Gain accuracy (Cont.)

Channel	Scale setting	Position setting (Divs)	Offset setting	Generator setting	Measurement mean	Difference of measurement means	Accuracy limits		
CH4	2 mV	0	0 V	+7.60 mV			+14.74 mV to +15.66 mV		
				-7.60 mV					
		-5	+0.5 V		+517.6 mV				+14.28 mV to +16.12 mV
					+502.4 mV				
		5	-0.5 V		-502.4 mV				+14.28 mV to +16.12 mV
					-517.6 mV				
	5 mV	0	0 V	0 V	+19.0 mV			+37.05 mV to +38.95 mV	
					-19.0 mV				
		-5	+0.5 V		+544 mV				+36.65 mV to +39.35 mV
					+506 mV				
		5	-0.5 V		-506 mV				+36.65 mV to +39.35 mV
					-544 mV				
	10 mV	0	0 V	0 V	+38.0 mV			+74.10 mV to +77.90 mV	
					-38.0 mV				
		-5	+0.5 V		+588 mV				+73.26 mV to +78.74 mV
					+512 mV				
		5	-0.5 V		-512 mV				+73.26 mV to +78.74 mV
					-588 mV				
	20 mV	0	0 V	0 V	+76.0 mV			+148.2 mV to +155.8 mV	
					-76.0 mV				
-5		+0.5 V		+676 mV			+146.4 mV to +157.6 mV		
				+524 mV					
5		-0.5 V		-524 mV			+146.4 mV to +157.6 mV		
				-676 mV					
50 mV	0	0 V	0 V	+190 mV			+370.5 mV to +389.5 mV		
				-190 mV					
	-5	+0.5 V		+940 mV				+364.8 mV to +395.2 mV	
				+560 mV					
	5	-0.5 V		-560 mV				+364.8 mV to +395.2 mV	
				-940 mV					
100 mV	0	0 V	0 V	+380 mV			+741.0 mV to +779.0 mV		

Table 4-4: Gain accuracy (Cont.)

Channel	Scale setting	Position setting (Divs)	Offset setting	Generator setting	Measurement mean	Difference of measurement means	Accuracy limits	
		0	+4.5 V	-380 mV			+734.2 mV to +785.8 mV	
				+4.88 V				
				+4.12 V				
		0	-4.5 V	-4.12 V				+734.2 mV to +785.8 mV
				-4.88V				
		200 mV	0	0 V	+760 mV			
	-760 mV							
	2		+4.6 V	+4.96 V			+1.469 V to +1.571 V	
				+3.44 V				
	-2		-4.6 V	-3.44 V			+1.469 V to +1.571 V	
				-4.96 V				
	500 mV	0	0 V	+1.90 V			+3.705 V to +3.895 V	
				-1.90 V				
		4	+5 V	+4.90 V			+3.682 V to +3.918 V	
				+1.10 V				
		-4	-5 V	-1.10 V			+3.682 V to +3.918 V	
				-4.90 V				
	1 V	0	0 V	+3.80 V			+7.410 V to +7.790 V	
-3.80 V								
0		+2.0 V	+5.00 V			+5.826 V to +6.174 V		
			-1.00 V					
0		-2.0 V	+1.00 V			+5.826 V to +6.174 V		
			-5.00 V					

d. *Display the test signal:*

- From the tool bar touch **VERT** and then touch **Position**.
- Use the keypad to set vertical position to the number of divisions listed in the table for the current vertical scale setting and offset.
- Touch **Offset**.

- Use the keypad to set vertical offset to the setting listed in the table for the current vertical scale and position settings. The baseline level may move off screen.
 - Set the generator to the level and polarity indicated in the table for the vertical scale, position, and offset settings you have made. The DC test level may be off screen. For all steps except the ones on the 1 V/div range, adjust the vertical offset setting as needed to bring the DC test level to +3.8 divisions (0.2 divisions below the top of the graticule).
- e. *Measure the test signal:* Press **Close**.
- Read the measurement results at the measurement statistics μ measurement readout. See Figure 4-10.
 - Record the Mean in the Measurement Mean column of Table 4-4.

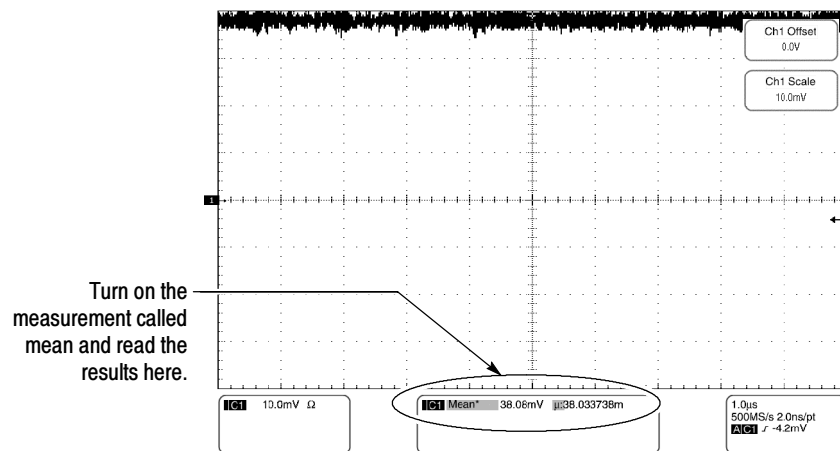


Figure 4-10: Measurement of DC gain accuracy

- f. *Measure second mean:*
- Set the generator to the second level and polarity indicated in the table for the vertical scale, position, and offset settings you have made. (For some settings it is possible that the DC test level appears off screen, while the measured mean value is within tolerance.)
 - Repeat substep e using the current vertical scale, position, offset, and new generator setting for the second mean.
- g. *Check against limits:*
- Subtract the second measurement mean from the first measurement mean for the current vertical scale, position, and offset.

- Record the difference of the two mean measurements in the Difference of Measurement Means column of Table 4-4.
 - CHECK that the Difference of Measurement Mean is within the limits listed for the current vertical scale/position/offset/generator settings. Enter measurement mean difference value on test record.
- h.** *Repeat substeps:*
- Repeat substeps d through g, using the next position, offset and generator settings listed in the table for the current vertical scale.
 - Repeat substeps d through g, using the next position, offset and generator settings listed in the table for the current vertical scale.
- i.** Repeat substeps c through h until all vertical scale settings, listed in Table 4-4, are checked for the channel under test.
- j.** *Test all channels:* Repeat substeps a through i for all four channels.
- 3.** *Disconnect the hookup:*
- a.** *Set the generator output to 0 V.*
 - b.** Disconnect the cable and adapter from the generator output and the input connector of the channel last tested.

Check Offset Accuracy

Equipment required	Two dual-banana connectors (Item 5) One BNC T connector (Item 6) One DC calibration generator (Item 9) One SMA male-to-female BNC adapter (Item 19) Two precision 50 Ω coaxial cables (Item 4)
Prerequisites	The instrument must meet the prerequisites listed on page 4-17



WARNING. *The generator is capable of outputting dangerous voltages. Be sure to set the DC calibration generator to off or 0 volts before connecting, disconnecting, and/or moving the test hookup during the performance of this procedure. Also, check that the calibrator does not have shorting straps installed between the DC output, sense input, or grounds.*

1. *Install the test hookup and preset the instrument controls:*
 - a. *Hook up the test-signal source:*
 - Set the output of a DC calibration generator to off or 0 volts.
 - Connect the output of a DC calibration generator through a dual-banana connector followed by a 50 Ω precision coaxial cable to one side of a BNC T connector. See Figure 4-11.
 - Connect the Sense input of the generator through a second dual-banana connector followed by a 50 Ω precision coaxial cable to the other side of the BNC T connector. Now connect the BNC T connector to **CH 1** through an adapter. See Figure 4-11.

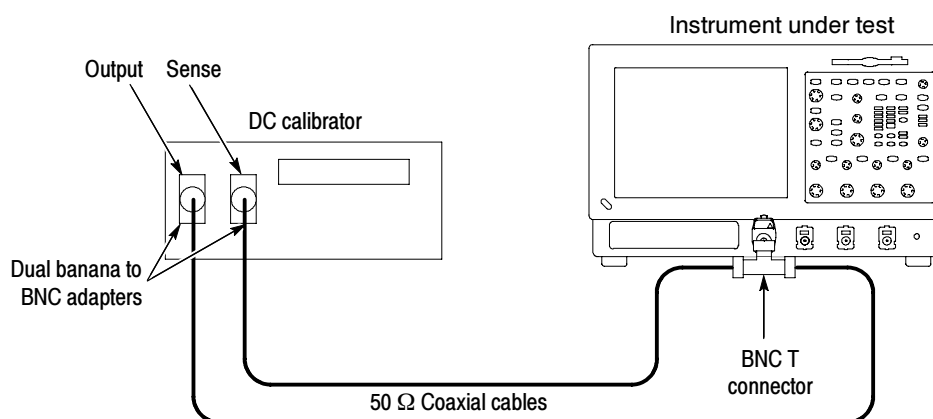


Figure 4-11: Initial test hookup

- b. *Initialize the instrument:* Press **DEFAULT SETUP**.
 - c. *Modify the default settings:*
 - From the tool bar, touch **Horiz** and select the **Acquisition** tab.
 - Touch **Average** and set the number of averages to **16**.
2. *Confirm input channels are within limits for offset accuracy. Do the following substeps — test CH 1 first, skipping substep 2a since CH 1 is already selected from step 1.*
 - a. *Select an unchecked channel:*
 - From the tool bar, touch **MEAS** and then **Clear** to remove the previous measurement.
 - Press the Vertical button of the channel just confirmed to remove the channel from the display.

- Press the front-panel Vertical button that corresponds to the channel you are to confirm.
 - *Set the generator output to 0 V.*
 - Move the test hookup to the channel you selected.
- b. Turn on the measurement Mean for the channel:**
- From the tool bar, touch **MEAS** and select the **Ampl** tab, then touch **Mean** to measure the mean of the current channel.
 - Press **Close**.
- c. Set the vertical scale:** Set the vertical **SCALE** to one of the settings in Table 4-5 that is not yet checked.

Table 4-5: Offset accuracy

Scale setting	Position setting (Divs)	Offset setting ¹	Generator setting	Accuracy limits
CSA7404B, TDS7404B, TDS7254B, & TDS7154B				
2 mV	0	+0.5 V	+500 mV	+497.3 mV to +502.7 mV
		0 V	0.0 mV	-1.7 mV to +1.7 mV
		-0.5 V	-500 mV	-502.7 mV to -497.3 mV
50 mV	0	+0.5 V	+500 mV	+491.75 mV to +508.25 mV
		0 V	0.0 mV	-6.5 mV to +6.5 mV
		-0.5 V	-500 mV	-508.25 mV to -491.75 mV
100 mV	0	+5 V	+5.0 V	+4.9575 V to +5.0425 V
		0 V	0.0 V	-25 mV to +25 mV
		-5 V	-5.0 V	-5.0425 V to -4.9575 V
500 mV	0	+5 V	+5.0 V	+4.9175 V to +5.0825 V
		0 V	0.0 V	-65 mV to +65 mV
		-5 V	-5.0 V	-5.0825 V to -4.9175 V
1 V	0	+2.5 V	+2.5 V	+2.37625 V to +2.62375 V
		0 V	0.0 V	-115 mV to +115 mV
		-2.5 V	-2.5 V	-2.62375 V to -2.37625 V
TDS7704B				
2 mV	0	+0.5 V	+500 mV	+496.55 mV to +503.45 mV
		0 V	0.0 mV	-1.7 mV to +1.7 mV
		-0.5 V	-500 mV	-503.45 mV to -496.55 mV

Table 4-5: Offset accuracy (Cont.)

Scale setting	Position setting (Divs)	Offset setting ¹	Generator setting	Accuracy limits
50 mV	0	+0.5 V	+500 mV	+491.00 mV to +509.00 mV
		0 V	0.0 mV	-6.50 mV to +6.50 mV
		-0.5 V	-500 mV	-509.00 mV to -491.00 mV
100 mV	0	+5 V	+5.0 V	+4.95 V to +5.05 V
		0 V	0.0 V	-25 mV to +25 mV
		-5 V	-5.0 V	-5.05 V to -4.95 V
500 mV	0	+5 V	+5.0 V	+4.91 V to +5.09 V
		0 V	0.0 V	-65 mV to +65 mV
		-5 V	-5.0 V	-5.09 V to -4.91 V
1 V	0	+2.5 V	+2.5 V	+2.3725 V to +2.6275 V
		0 V	0.0 V	-115 mV to +115 mV
		-2.5 V	-2.5 V	-2.6275 V to -2.3725 V

¹ Set as precisely as the instrument's offset resolution permits.

d. Display the test signal:

- From the tool bar touch **VERT** and then touch **Position**.
- Use the keypad to set vertical position to 0.0 divisions (press **CLR** and then **ENTER**, on the keypad).
- Touch **Offset**.
- Use the keypad to set vertical offset to the positive-polarity setting listed in the table for the current vertical scale setting. The baseline level may move off screen.
- Set the generator to the level and polarity indicated in the table for the vertical scale, position, and offset settings you have made. The DC test level should appear on screen. (If it doesn't return, the offset accuracy check has failed for the current vertical scale setting of the current channel).

e. Measure the test signal: Press **Close**. Read the measurement results at the **Mean** measurement readout. See Figure 4-12.

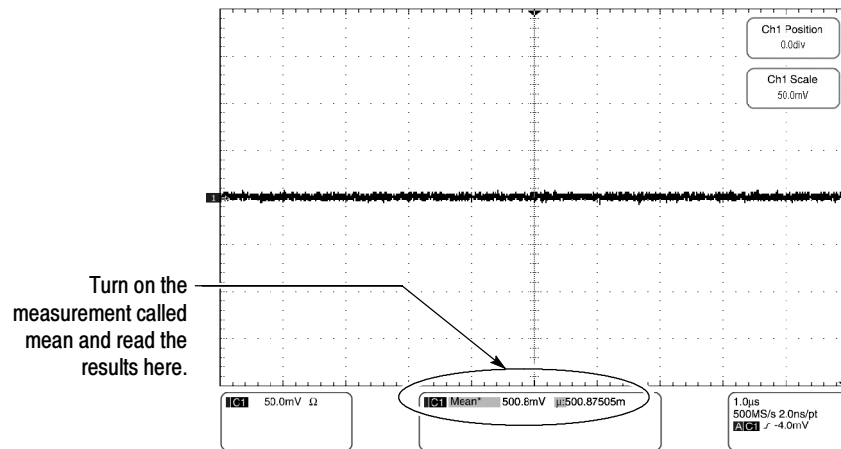


Figure 4-12: Measurement of offset accuracy

f. Check against limits:

- CHECK that the readout for the measurement **Mean** readout on screen is within the limits listed for the current vertical scale and position/offset/generator settings. Enter the value on the test record.
- Repeat substep d, using the zero offset and generator settings as is listed in the table.
- CHECK that the **Mean** measurement readout on screen is within the limits listed for the current vertical scale setting and position/offset/generator settings. Enter the value on the test record.
- Repeat substep d, using the negative-polarity offset and generator settings as is listed in the table.
- CHECK that the **Mean** measurement readout on screen is within the limits listed for the current vertical scale setting and position/offset/generator settings. Enter the value on the test record.
- Repeat substeps c through f until all vertical scale settings, listed in Table 4-5, are checked for the channel under test.

g. Test all channels: Repeat substeps a through f for all four channels.

3. Disconnect the hookup:

- a. Set the generator output to 0 V.**
- b. Disconnect the cable and adapter from the generator output and the input connector of the channel last tested.**

Check Maximum Input Voltage

Equipment required	Two dual-banana connectors (Item 5) One BNC T connector (Item 6) One 10X attenuator (Item 1) One DC calibration generator (Item 9) One SMA male-to-female BNC adapter (Item 19) Two precision 50 Ω coaxial cables (Item 4)
Prerequisites	The instrument must meet the prerequisites listed on page 4-17



WARNING. *The generator is capable of outputting dangerous voltages. Be sure to set the DC calibration generator to off or 0 volts before connecting, disconnecting, and/or moving the test hookup during the performance of this procedure. Also, check that the calibrator does not have shorting straps installed between the DC output, sense input, or grounds.*

1. Install the test hookup and preset the instrument controls:

a. Hook up the test-signal source:

- Set the output of a DC calibration generator to off or 0 volts.
- Connect the output of a DC calibration generator through a dual-banana connector followed by a 50 Ω precision coaxial cable to one side of a BNC T connector. See Figure 4-13.
- Connect the Sense input of the generator through a second dual-banana connector followed by a 50 Ω precision coaxial cable to the other side of the BNC T connector. Now connect the BNC T connector to **CH 1** through a 10X attenuator and an adapter. See Figure 4-13.

- Press **Close**.
- c. *Set the vertical scale:*
- Set the vertical **SCALE** to one of the settings listed in Table 4-6 that is not yet checked. (Start with the first setting listed).
 - From the tool bar touch **VERT** and touch **Position**.
 - Use the keypad to set vertical position to -3 divisions (press **CLR**, **3**, **-**, and then **ENTER**, on the keypad).
 - Set the Coupling to **DC**.
 - Touch **Offset**.
 - Use the keypad to set vertical offset to 0 V.
 - Press **Close**.

Table 4-6: Maximum input voltage limit

Scale setting	Position setting (Divs)	Offset setting	Generator setting	Readout with 10X attenuator	Limits (without 10X attenuator)
CSA7404B, TDS7404B, TDS7254B, & TDS7154B					
50 mV	-3	0 V	+1 V	+100 mV	Coupling in CH readout stays Ω
			+3 V	+300 mV	Coupling changes to ground
1 V	-3	0 V	+5 V	+500 mV	Coupling in CH readout stays Ω
			+10 V	+1.0 V	Coupling changes to ground
TDS7704B					
50 mV	-3	0 V	+1 V	+100 mV	Coupling in CH readout stays Ω
			+3 V	+300 mV	Coupling changes to ground
1 V	-3	0 V	+6.5 V	+650 mV	Coupling in CH readout stays Ω
			+9 V	+900 mV	Coupling changes to ground

- d. *Display the test signal:* Set the generator to the level and polarity indicated in the table for the vertical scale, position, and offset settings you have made, or set the generator for the readout indicated in the table for the vertical scale, position, and offset settings you have made. See Figure 4-14.

NOTE. When setting the Fluke 9500B to output more than 5 V, use the following procedure:

Press the **Aux** button

Press the fourth soft key down (Selects the pulse with an exclamation point)

Set the amplitude to 6.5 V, 9 V, or 10 V

Press the **->|** key to select the pulse energy

Set the energy to 50J

Press the **Output On** key

Press the **Trig Pulse** soft key to trigger the pulse (this will generate a pulse with 59.172, 30.864, and 25 seconds duration respectively).

Use the normal DC output for the 1 V, 3 V, and 5 V generator settings.

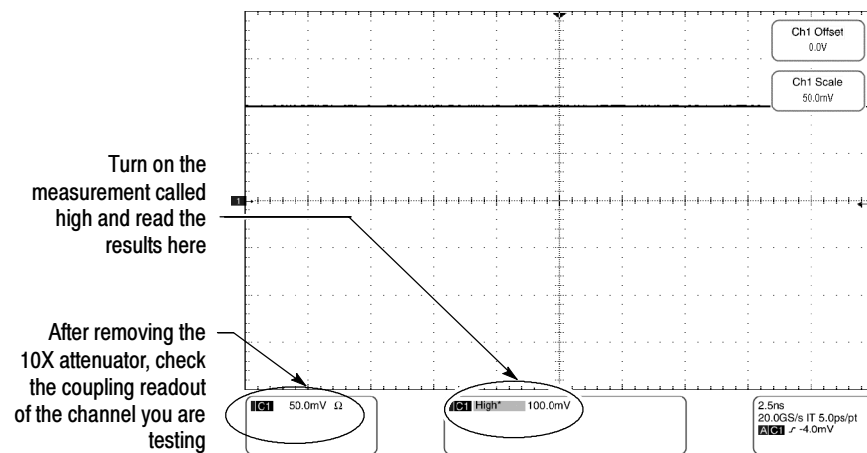


Figure 4-14: Check of maximum input voltage

- e. Check an unchecked generator setting against limits:
 - Remove the 10X attenuator.
 - CHECK that the coupling readout on screen for the selected channel is as listed for the current vertical scale and position/offset/generator settings. Enter result on test record.
 - Reinstall the 10X attenuator.
- f. Check the next generator setting: Repeat substeps d and e, using the new generator setting as is listed in the table.
- g. Check the remaining vertical scale settings: Repeat substeps c through f until all vertical scale settings, listed in Table 4-6, are checked for the channel under test.

- h. *Test all channels:* Repeat substeps a through g for all vertical channels.
3. *Disconnect the hookup:*
- a. *Set the generator output to 0 V.*
 - b. Disconnect the cable, attenuator, and adapter from the generator output and the input connector of the channel last tested.

Check Analog Bandwidth

Equipment required	One sine wave generator (Item 12) One level meter and power sensor (Item 13) One female N to male BNC adapter (Item 16) Four male N to female BNC adapters (Item 15) 50 Ω precision cables BNC (Item 4) SMA (Item 36) Attenuators (Items 1 and 2) One SMA male-to-female BNC adapter (Item 19)
Prerequisites	See page 4-17

1. *Install the test hookup and preset the instrument controls:*
- a. *Initialize the instrument:*
 - Press **DEFAULT SETUP**.
 - b. *Modify the default settings:*
 - Turn the horizontal **SCALE** knob to 40 ns.
 - From the tool bar, touch **Horiz** and select the **Acquisition** tab. Set the acquisition mode as follows:

 TDS7704B: Touch **Sample**.

 All other CSA/TDS7000B: Touch **Average** and set the number of averages to **16**.
 - Set the sampling mode as follows:

 TDS7704B: Touch the **Interpolated Real Time IT** button.

 All other CSA/TDS7000B: Touch the **Equivalent Time ET** button.
 - From the tool bar, touch **MEAS**. Touch Setup **Ref Levs**; then touch the Method **Min-Max** button.

NOTE. The sine wave generator output amplitude must be leveled to within 0.35 db of the reference frequency (10 MHz) through the bandwidth frequency listed in Table 4-7 on page 4-79. The 0.35 db requirement is necessary to ensure a bandwidth that meets Tektronix specifications.

You can perform bandwidth PV using an unlevelled sine wave generator (with amplitude error > 0.35 db). Under these conditions, the bandwidth PV is subject to the flatness errors associated with the generator used.

Refer to the Sine Wave Generator Leveling Procedure on page 4-137 if your sine wave generator does not have automatic output amplitude leveling.

- c. *Hook up the test-signal source:* Connect the sine wave output of a leveled sine wave generator to **CH 1**. Set the output of the generator to a reference frequency of 10 MHz or less. See Figure 4-15.

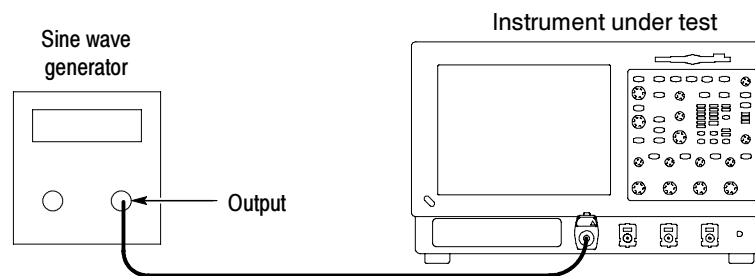


Figure 4- 15: Initial test hookup

2. *Confirm the input channels are within limits for analog bandwidth:* Do the following substeps — test CH 1 first, *skipping substeps a and b since CH 1 is already set up for testing from step 1.*
 - a. *Select an unchecked channel:*
 - From the tool bar, touch **MEAS** and then **Clear** to remove the previous measurement.
 - Press the Vertical button of the channel just confirmed to remove the channel from the display.
 - Press the front-panel Vertical button that corresponds to the channel you are to confirm.
 - Move the leveled output of the sine wave generator to the channel you selected.

- b. *Match the trigger source to the channel selected:* Press the Trigger **SOURCE** button until the source that corresponds to the channel you are to confirm is on.
- c. *Set the vertical scale:* Set the vertical **SCALE** that corresponds to the channel you are to confirm to one of the settings listed in Table 4-7 not yet checked. (Start with the 100 mV setting).
- d. *Set the triggering coupling:* Touch the Coupling **DC** button.

Table 4-7: Analog bandwidth

Vertical scale	Reference amplitude (6 divisions)	Horizontal scale	Test frequency	Test frequency	Test frequency	Test frequency	Limits
			TDS7704B	CSA7404B TDS7404B	TDS7254B	TDS7154B	-3 dB Limits
2 mV	12 mV	1 ns	1 GHz	1 GHz	1 GHz	1 GHz	≥8.48 mV
5 mV	30 mV	1 ns	1.25 GHz	1.25 GHz	1.25 GHz	1.25 GHz	≥21.2 mV
10 mV	60 mV	1 ns	7 GHz	4 GHz	2.5 GHz	1.5 GHz	≥42.4 mV
20 mV	120 mV	1 ns	7 GHz	4 GHz	2.5 GHz	1.5 GHz	≥84.8 mV
50 mV	300 mV	1 ns	7 GHz	4 GHz	2.5 GHz	1.5 GHz	≥212 mV
100 mV	600 mV	1 ns	7 GHz	4 GHz	2.5 GHz	1.5 GHz	≥424 mV
200 mV	1.2 V	1 ns	7 GHz	4 GHz	2.5 GHz	1.5 GHz	≥848 mV
500 mV	3 V ¹	1 ns	7 GHz	4 GHz	2.5 GHz	1.5 GHz	≥2.12 V ¹
1 V	5 V ¹	1 ns	7 GHz	4 GHz	2.5 GHz	1.5 GHz	≥3.535 V ¹

¹ If your generator cannot output the required amplitude, determine its maximum output at the Test frequency, and use this for the reference amplitude. The -3 db limit can be calculated as: $0.707 \times$ reference amplitude.

- e. *Display the test signal:* Do the following subparts to first display the reference signal and then the test signal.
 - From the button bar touch **MEAS**; then select the **Time** tab.
 - Touch the **Freq** button to measure the frequency of the current channel.
 - Select the **Ampl** tab. Touch the **Pk-Pk** button.
 - Touch the **Statistics** button, then touch the **Mean** button.
 - Touch **Close** button.
 - Set the generator output so the CHx Pk-Pk mean readout equals the reference amplitude in Table 4-7 that corresponds to the vertical scale set in substep c.

- Set the trigger as follows:

TDS7704B: Touch the Source **Line** button.

All other CSA/TDS7000B: Press the front-panel **PUSH TO SET 50%** as necessary to trigger a stable display. At full bandwidth, you may also want to make small, manual adjustments to the trigger level. You can use the **Trigger LEVEL** knob to do this.

f. *Measure the test signal:*

- Set the frequency of the generator, as shown on screen, to the test frequency in Table 4-7 that corresponds to the vertical scale set in substep c. See Figure 4-16.
- Set the horizontal **SCALE** to the horizontal scale setting in Table 4-7 that corresponds to the vertical scale set in substep c. Press **PUSH TO SET 50%** as necessary to trigger the signal.
- Read the results at the CHx Pk-Pk mean readout, which will automatically measure the amplitude of the test signal. See Figure 4-16.

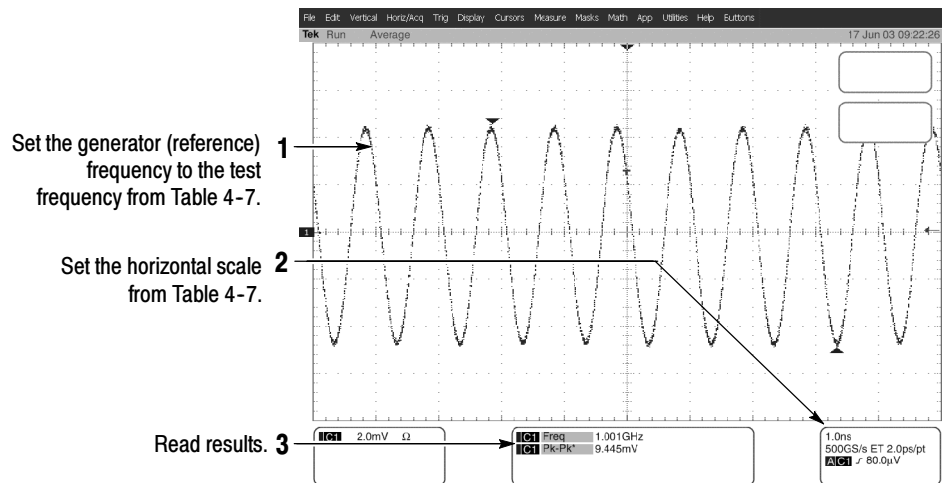


Figure 4- 16: Measurement of analog bandwidth

g. *Check against limits:*

- CHECK that the **Pk-Pk** mean readout on screen is within the limits listed in Table 4-7 for the current vertical scale setting.
- Enter the voltage on the test record.

-
- When finished checking, set the horizontal **SCALE** back to the 40 ns setting.

STOP. *Checking each channel's bandwidth at all vertical scale settings is time consuming and unnecessary. You may skip checking the remaining vertical scale settings in Table 4-7 (that is, skip the following substep, h) if this instrument has performed as follows:*

- Passed the 100 mV vertical scale setting just checked in this procedure.
- Passed the *Verify Internal Adjustment, Self Compensation, and Diagnostics* procedure found under *Self Tests*, on page 4-5.

NOTE. *Passing the signal path compensation confirms the signal path for all vertical scale settings for all channels. Passing the internal diagnostics ensures that the factory-set adjustment constants that control the bandwidth for each vertical scale setting have not changed.*

h. *Check remaining vertical scale settings against limits (optional):*

- If desired, finish checking the remaining vertical scale settings for the channel under test by repeating substeps c through g for each of the remaining scale settings listed in Table 4-7 for the channel under test.
- When doing substep e, skip the subparts that turn on the CHx Pk-Pk mean measurement until you check a new channel.
- Before doing substep f, touch the **Clear** button to remove the previous channel measurements.
- Install/remove attenuators between the generator leveled output and the channel input as needed to obtain the six division reference signals listed in the table.

i. *Test all channels:* Repeat substeps a through g for all four channels.

- 3.** *Disconnect the hookup:* Disconnect the test hook up from the input connector of the channel last tested.

Check Delay Between Channels

Equipment required	One sine wave generator (Item 12) Three precision 50 Ω coaxial cables (Item 4) One power divider (Item 14) 3 SMA female to female adapter connector (Item 17) 3 SMA male-to-female BNC adapter connector (Item 18) Two SMA male-to-female BNC adapter (Item 19)
Prerequisites	See page 4-17

STOP. *DO NOT use the vertical position knob to reposition any channel while doing this check. To do so invalidates the test.*

1. *Install the test hookup and preset the instrument controls:*
 - a. *Initialize the front panel:* Press the **DEFAULT SETUP** button.
 - b. *Modify the initialized front-panel control settings:*
 - Do *not* adjust the vertical position of any channel during this procedure.
 - Set the horizontal **SCALE** to 500 ps.
 - From the tool bar, touch **Horiz** and select the **Acquisition** tab.
 - Touch **Average** and set the number of averages to **16**.
 - c. *Hook up the test-signal source:*
 - Connect the sine wave output of a sine wave generator to a 50 Ω precision coaxial cable followed by a power divider.
 - Connect the power divider to both **CH 1** and **CH 2**. See Figure 4-17.

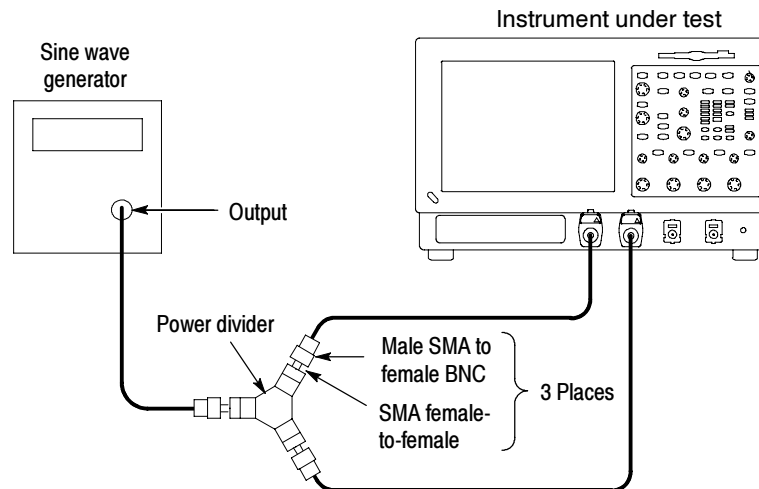


Figure 4-17: Initial test hookup

2. Confirm all four channels are within limits for channel delay:

- a. Set up the generator:** Set the generator frequency to 500 MHz and the amplitude for six to eight divisions in CH 1.

Hint: As you are adjusting the generator amplitude, push **PUSH TO SET 50%** frequently to speed up the updating of the waveform amplitude on screen.

- b.** The horizontal **SCALE** should already be set to 500 ps. Now set it to 100 ps.
- c. Save a CH 2 waveform:** Press the **CH 2** Vertical button. From the button bar, touch the **Refs** button and select the **Ref 2** tab. Touch the Save Wfm to Ref2 **Save** button.
- d. Save CH 3 waveform:**
- Move the power divider from **CH 2** to **CH 3**, so that **CH 1** and **CH 3** are driven. Press the Vertical **CH 2** and **CH 3** buttons. Select the **Ref 3** tab and touch the Ch Channel 3 button. Touch the Save Wfm to Ref3 **Save** button.
- e. Display all test signals:**
- Press the **CH 3** Vertical button to remove CH 3 from the display.
 - Display the live waveform. Move the power divider from **CH 3** to **CH 4**, so that CH 1 and CH 4 are driven. Press the Vertical **CH 4** button to display. See Figure 4-18 on page 4-84.

- Display the reference waveforms. To do this, touch the Ref 3 Display **Off** button to toggle it to On and display the reference. Select the **Ref 2** tab and touch the Display **Off** button to toggle it to On. You may notice their overlapping waveform handle icons. See Figure 4-18 on page 4-84.

f. *Measure the test signal:*

- Locate the time reference points for these waveforms. Do this by first identifying the point where the rising edge of the left-most waveform crosses the center horizontal graticule line. Next, note the corresponding *time reference point* for the right-most waveform. See Figure 4-18 on page 4-84.
- Press **CURSORS** and select the **V Bars** Cursors Type.
- Touch the **Close** button.

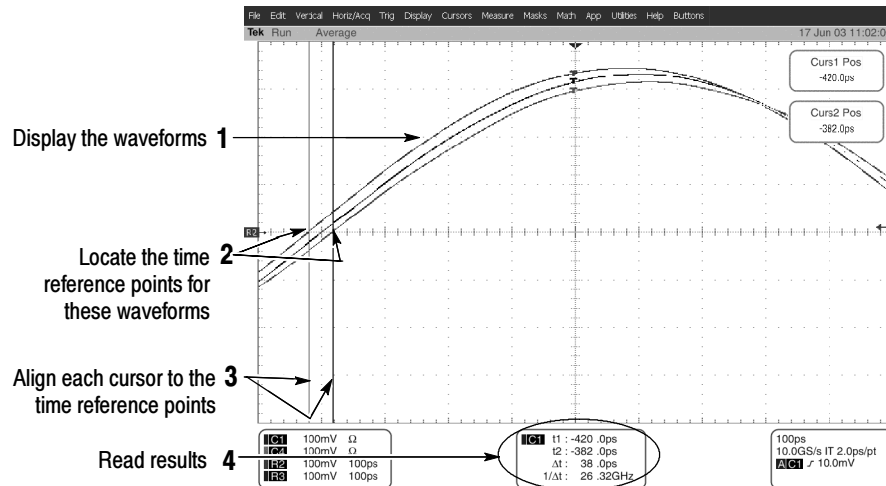


Figure 4-18: Measurement of channel delay

- g.** *Check against limits:* Use the cursors to measure the skew from CH 1 to CH 2, CH 1 to CH 3, and CH 1 to CH 4. Write down these three numbers in the first measurement column of Table 4-8. Note that these numbers may be either positive or negative.
- h.** Move the power divider on CH 1 to CH 2. Move the power divider on CH 4 to CH 1.

NOTE. To eliminate errors caused by the cables and adapters, the measurements are repeated and averaged after swapping the channel position of the cables.

- i. Repeat the procedure from step 2.a through 2.e.
- j. Again use the cursors to measure the skew from CH 1 to CH 2, CH 1 to CH 3, and CH 1 to CH 4. Write down these numbers in the second measurement column of Table 4-8. Note that these numbers may be either positive or negative.
- k. Add the first CH 1 to CH 2 skew measurement to the second CH 1 to CH 2 skew measurement and divide the result by 2. Use Table 4-8.
- l. Add the first CH 1 to CH 3 skew measurement to the second CH 1 to CH 3 skew measurement and divide the result by 2. Use Table 4-8.
- m. Add the first CH 1 to CH 4 skew measurement to the second CH 1 to CH 4 skew measurement and divide the result by 2. Use Table 4-8.
- n. Check against limits: CHECK that the largest of the three results from steps k, l, and m is between -30 ps and + 30 ps.
- o. Enter the time on the test record.

Table 4-8: Delay between channels worksheet

Coupling	First measurement	Second measurement	Add first and second measurements	Divide sum by 2
CH 1 to CH 2 skew				
CH 1 to CH 3 skew				
CH 1 to CH 4 skew				

3. *Disconnect the hookup:* Disconnect the cable from the generator output at the input connectors of the channels.

Check Channel Isolation (Crosstalk)

Equipment required	One leveled sine-wave generator (Item 12) One 2X attenuator (Item 26) Four TCA-BNC adapters (Item 19) Three 50 Ω terminations (Item 3) One 50 Ω , precision coaxial cable (Item 4)
Prerequisites	See page 4-17

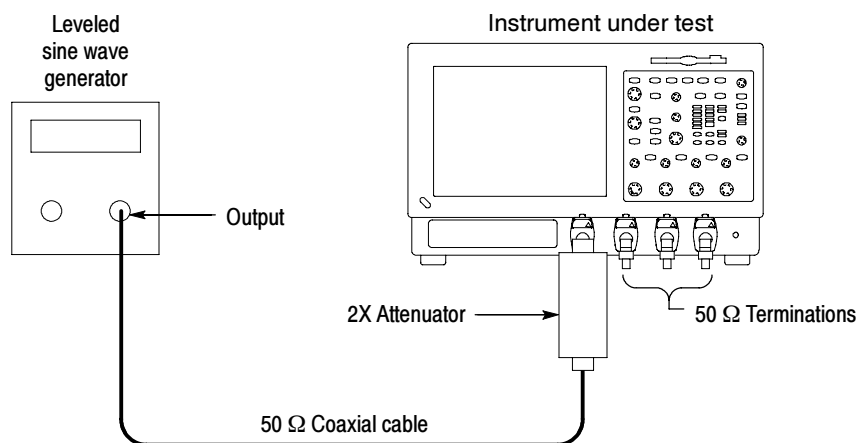


Figure 4- 19: Initial test hookup

1. *Install the test hookup and preset the instrument controls:*
 - a. *Initialize the instrument:* Press the **DEFAULT SETUP** button.
 - b. *Modify the initialized control settings:*
 - Turn on all vertical channels (press the Vertical button of any off channels: CH 1, CH 2, CH 3, and CH 4).
 - Set the Horizontal SCALE to **1 ns**.
 - Set the Vertical SCALE of CH 1, CH 2, CH 3, and CH 4 to **100 mV**.
 - From the tool bar, touch **Horiz** and select the **Acquisition** tab. Set the acquisition mode as follows:
 TDS7704B: Touch **Sample**.
 All other CSA/TDS7000B: Touch **Average**, set the number of averages to **16**.

- Set the sampling mode as follows:
 - TDS7704B: Touch the **Interpolated Real Time IT** button.
 - All other CSA/TDS7000B: Touch the **Equivalent Time ET** button.
 - From the button bar, touch **MEAS**.
 - Touch the Source Channel **1** button.
 - Select the **Ampl** tab; then touch the **Amplitude** button.
 - Touch **Close**.
 - Set the Trigger SOURCE to **CH 1**.
 - Press **PUSH TO SET 50%**.
- c. *Hook up the test-signal source:*
- Connect, through a 50 Ω precision coaxial cable, a 2X attenuator, and a TCA-BNC adapter, the output of the generator to **CH 1** (see Figure 4-19).
 - Connect TCA-BNC adapters to the CH 2, CH 3, and CH 4 inputs.
 - Connect 50 Ω terminations to the adapters on the CH 2, CH 3, and CH 4 inputs.
2. *Display the test signal:*
- Set the generator to output a sine wave at the bandwidth of your instrument or 1.5 GHz, whichever is less. Set the test signal amplitude for about five divisions on screen. Now fine adjust the generator output until the **CH 1 Amplitude** readout indicates the amplitude is 500 mV. Readout may fluctuate around 500 mV.
 - Remove the 2X attenuator.
3. Confirm the input channels are within limits for channel isolation:
- a. Check — Amplitude of each trace other than CH 1 is 0.125 division or less (discount trace width). Enter the largest amplitude on the test record.
 - b. Move the signal to the **CH 2** input connector, change the Trigger SOURCE to **CH 2**, and move the 50 Ω termination to the CH 1 input.
 - c. Check — Amplitude of each trace other than CH 2 is 0.125 division or less (discount trace width). Enter the largest amplitude on the test record.
 - d. Move the signal to the **CH 3** input connector, change the Trigger SOURCE to **CH 3**, and move the 50 Ω termination to the CH 2 input.

- e. Check — Amplitude of each trace other than CH 3 is 0.125 division or less (discount trace width). Enter the largest amplitude on the test record.
 - f. Move the signal to the **CH 4** input connector, change the Trigger SOURCE to **CH 4**, and move the 50 Ω termination to the CH 3 input.
 - g. Check — Amplitude of each trace other than CH 4 is 0.125 division or less (discount trace width). Enter the largest amplitude on the test record.
 - h. Select an unchecked vertical SCALE:
 - Connect the 2X attenuator to the CH 1 input.
 - Move the signal to the CH1 input, change the Trigger Source to **CH 1**, and move the 50 Ω termination to the CH 4 input.
 - Press **PUSH TO SET 50%**.
 - Set the Vertical SCALE of CH 1, CH 2, CH 3, and CH 4 to **50 mV**
 - Set the test signal amplitude for about five divisions on screen. Now fine adjust the generator output until the **CH 1 Amplitude** readout indicates the amplitude is 250 mV. Readout may fluctuate around 250 mV.
 - Remove the 2X attenuator.
 - Repeat substeps a through g.
 - Connect the 2X attenuator to CH 1.
 - Move the signal to the CH 1 input, change the Trigger Source to **CH 1**, and move the 50 Ω termination to the CH 4 input.
 - Press **PUSH TO SET 50%**.
 - Set the Vertical SCALE of CH 1, CH 2, CH 3, and CH 4 to **10 mV**
 - Set the test signal amplitude for about five divisions on screen. Now fine adjust the generator output until the **CH 1 Amplitude** readout indicates the amplitude is 50 mV. Readout may fluctuate around 50 mV.
 - Remove the 2X attenuator.
 - Repeat substeps a through g.
4. *Display the test signal:* If your instrument bandwidth is ≤ 1.5 GHz, skip to step 6.
- Connect the 2X attenuator to CH 1.

- Move the signal to the CH 1 input, change the Trigger Source to **CH 1**, and move the 50 Ω termination to the CH 4 input.
 - Press **PUSH TO SET 50%**.
 - Set the Vertical SCALE of CH 1, CH 2, CH 3, and CH 4 to **100 mV**.
 - Set the Horizontal SCALE to display 2 to 5 cycles of the signal.
 - Set the generator to output a sine wave at the bandwidth of your instrument. Set the test signal amplitude for about five divisions on screen. Now fine adjust the generator output until the **CH 1 Amplitude** readout indicates the amplitude is 500 mV. Readout may fluctuate around 500 mV.
 - Set the trigger as follows:
 - TDS7704B: Touch the Source **Line** button.
 - All other CSA/TDS7000B: Press the front-panel **PUSH TO SET 50%** as necessary to trigger a stable display. At full bandwidth, you may also want to make small, manual adjustments to the trigger level. You can use the **Trigger LEVEL** knob to do this.
 - Remove the 2X attenuator.
5. Confirm the input channels are within limits for channel isolation:
- a. Check — Amplitude of each trace other than CH 1 is 0.67 division or less (discount trace width). Enter the largest amplitude on the test record.
 - b. Move the signal to the CH 2 input connector, change the Trigger SOURCE to CH 2, and move the 50 Ω termination to the CH 1 input.
 - c. Check — Amplitude of each trace other than CH 2 is 0.67 division or less (discount trace width). Enter the largest amplitude on the test record.
 - d. Move the signal to the CH 3 input connector, change the Trigger SOURCE to CH 3, and move the 50 Ω termination to the CH 2 input.
 - e. Check — Amplitude of each trace other than CH 3 is 0.67 division or less (discount trace width). Enter the largest amplitude on the test record.
 - f. Move the signal to the CH 4 input connector, change the Trigger SOURCE to CH 4, and move the 50 Ω termination to the CH 3 input.
 - g. Check — Amplitude of each trace other than CH 4 is 0.67 division or less (discount trace width). Enter the largest amplitude on the test record.
 - h. Select an unchecked Vertical SCALE:
 - Connect the 2X attenuator to CH 1.

- Move the signal to CH 1, set the Trigger SOURCE to CH 1, and move the 50 Ω termination to the CH 4 input.
 - Press **PUSH TO SET 50%**.
 - Set the Vertical SCALE of CH 1, CH 2, CH 3, and CH 4 to **50 mV**
 - Set the test signal amplitude for about five divisions on screen. Now fine adjust the generator output until the **CH 1 Amplitude** readout indicates the amplitude is 250 mV. Readout may fluctuate around 250 mV.
 - Remove the 2X attenuator.
 - Repeat substeps a through g.
 - Connect the 2X attenuator to CH 1.
 - Move the coaxial cable to CH 1, set the Trigger SOURCE to CH 1, and move the 50 Ω termination to the CH 4 input.
 - Set the Vertical SCALE of CH 1, CH 2, CH 3, and CH 4 to **10 mV**
 - Set the test signal amplitude for about five divisions on screen. Now fine adjust the generator output until the **CH 1 Amplitude** readout indicates the amplitude is 50 mV. Readout may fluctuate around 50 mV.
 - Remove the 2X attenuator.
 - Repeat substeps a through g.
6. *Disconnect the hookup:* Disconnect the cable, terminations, and adapters from the generator output and the input connector of the channel.

Check Input Impedance

Equipment required	One Digital Multimeter (Item 27) One Dual-Banana Connector, (Item 5) One precision 50 Ω coaxial cable (Item 4) One SMA male-to-female BNC adapter (Item 19)
Prerequisites	See page 4-17

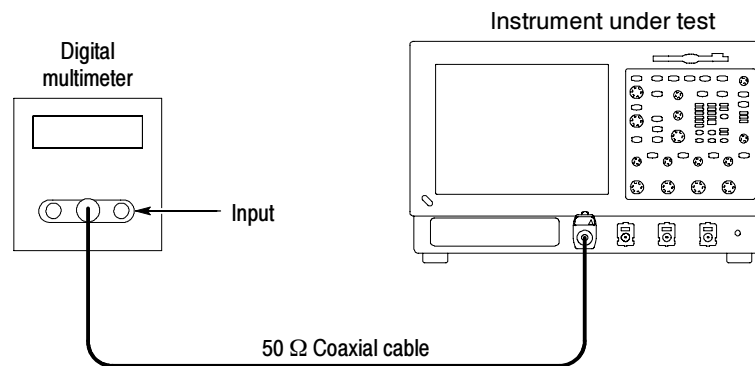


Figure 4-20: Initial test hookup

1. *Install the test hookup and preset the instrument controls:*
 - a. *Initialize the instrument:* Press the **DEFAULT SETUP** button.
 - b. *Hook up the test-signal source:* Connect, through a 50 Ω precision coaxial cable, the input of the multimeter to **CH 1** through adapters (see Figure 4-20).
 - c. Set the Vertical **SCALE** to **10 mV** per division
2. *Check input impedance against limits:*
 - a. *Measure the impedance:* Read and record the measured impedance.
 - b. Remove the dual banana connector from the digital multimeter (DMM), turn it 180 degrees and reinsert it in the DMM input.
 - c. *Measure the impedance:* Read and record the measured impedance.
 - d. Add the two measurements and divide the result by 2.
 - e. Check — Average of the two measurements is $\geq 48.75 \Omega$ and $\leq 51.25 \Omega$. Enter average on the test record.
3. Set the Vertical **SCALE** to **100 mV** per division and repeat step 2.
4. *Repeat steps 2 through 3 for the remaining input channels:*
 - a. Move the test setup to an unchecked input channel.
 - b. Set the Vertical **SCALE** of the channel to **10 mV** per division.
 - c. Repeat steps 2 through 3.
5. *Disconnect the hookup:* Disconnect the equipment from the instrument.

Time Base System Checks

These procedures check those characteristics that relate to the time base system and are listed as checked under *Warranted Characteristics* in *Specifications*.

Check Long-Term Sample Rate and Delay Time Accuracy and Reference

Equipment required	One timer-counter (Item 11) One 50 Ω , precision coaxial cable (Item 4) One SMA male-to-female BNC adapter (Item 19) One sine wave generator (Item 12)
Prerequisites	See page 4-17

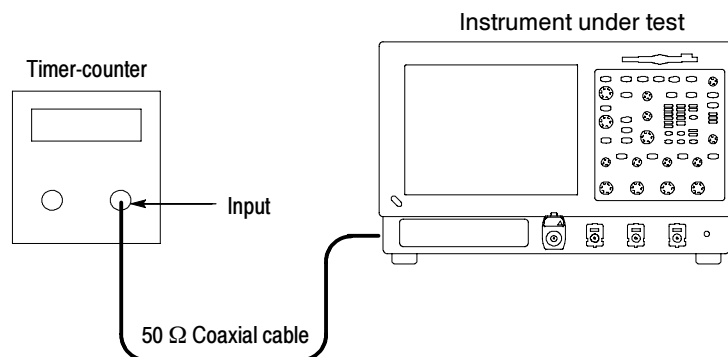


Figure 4-21: Initial test hookup

1. *Install the test hookup and preset the instrument controls:*
 - a. *Hook up the test-signal source:* Connect, through a 50 Ω precision coaxial cable, the input of the timer-counter to **REF OUT** (see Figure 4-21).
 - Set the timer-counter gate to 1 s.
 - Set the timer-counter to count the reference output.
 - b. *Initialize the instrument:* Press the **DEFAULT SETUP** button.
2. *Confirm the time base is within limits for accuracies:*
 - a. *Check long-term sample rate and delay time accuracies against limits:*
 - CHECK that the count on the timer-counter is within limits.

- Enter the count on the test record.
- 3. *Confirm reference is within limits for logic levels:*
 - a. *Display the test signal:*
 - Move the cable from the timer-counter to the CH 1 input through an adapter.
 - Set the Vertical **SCALE** to 1 V.
 - Use the Vertical **POSITION** knob to center the display on screen.
 - b. *Measure logic levels:*
 - From the button bar, touch **MEAS** and select the **Ampl** tab.
 - Touch the **High** and **Low** buttons.
 - Touch the **Close** button.
 - c. *Check REF OUT output against limits:* CHECK that the **CH 1 High** readout is ≥ 1.0 volt and that the **CH 1 Low** readout ≤ 0.25 volts.
- 4. *Disconnect the hookup:* Disconnect the cable and adapter from the instrument.

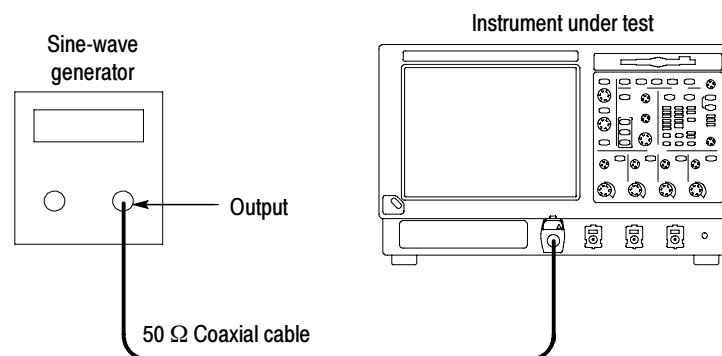


Figure 4-22: Initial test hookup

- 5. *Install the test hookup and preset the instrument controls:*
 - a. *Initialize the instrument:* Press the **DEFAULT SETUP** button.
 - b. *Hook up the test-signal source:* Connect, through a 50 Ω precision coaxial cable, the output of the sine wave generator to **CH 1** input through an adapter (see Figure 4-22).
 - From the button bar, touch **MEAS** and select the **Ampl** tab.

- Touch the **Pk-Pk** button.
 - Touch the **Close** button.
 - Set the Vertical **SCALE** to 50 mV.
 - Set the generator for a 10.0 MHz sine wave.
 - Set the generator to output a 4 division signal. Adjust the output until the Pk-Pk readout displays 200 mV.
- c. *Set the instrument controls:*
- Move the cable from the **CH 1** input to the rear-panel **Ext Ref** input (see Figure 4-23).
 - Touch **Menu** to select menu mode.
 - Touch **Utilities** and select **External Signals**.
 - Touch the **Internal** button to select the external reference (the button name changes to External).

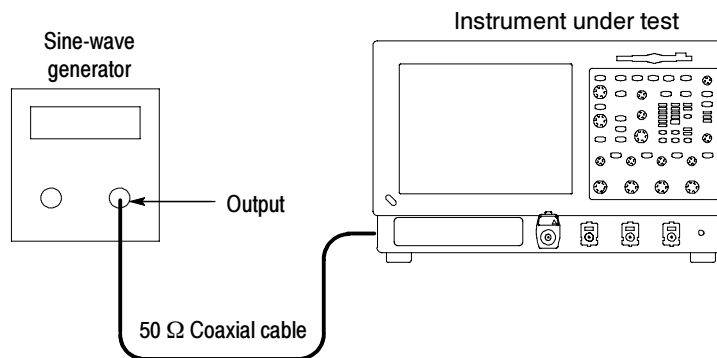


Figure 4-23: Final test hookup

6. *Confirm external reference:*
- a. *Perform a signal path compensation:*
- Touch **Utilities** and select **Instrument Calibration**.
 - Touch **Calibrate** and wait for the signal path compensation to finish.
- b. *Check the completion status:* If the Status is Fail, refer the instrument to qualified service personnel.

7. *Disconnect the hookup:*
 - a. Disconnect all test equipment from the instrument.
 - b. *Set the instrument controls:*
 - From menu mode, touch **Utilities** and select **External Signals**.
 - Touch the **External** button to select the internal reference (the button name changes to Internal).
 - c. *Perform a signal path compensation:*
 - Touch **Utilities** and select **Instrument Calibration**.
 - Touch **Calibrate** and wait for the signal path compensation to finish.

Check Delta Time Measurement Accuracy

Equipment required	One 50 Ω , precision coaxial cable (Item 4) One Connector, BNC "T", male BNC-to-dual female BNC (Item 6) One Pulse Generator, Wavetek 9500 or equivalent (Item 20) Two 50 Ω , coaxial cable, male-to-male SMA connectors (Item 21) One SMA female to BNC male connector (Item 23) One BNC elbow connector (Item 24) One SMA "T", male to two SMA female connectors (Item 22) Two SMA termination connectors, short circuit, (Item 25) One SMA male-to-female BNC adapter (Item 19) One 2X attenuator, 50 Ω , female BNC-to-male BNC (Item 26)
Prerequisites	See page 4-17

This procedure checks the "sample rate" portion of the Delta Time Measurement Accuracy as listed in *Specifications*. The previous procedure, *Check Long-Term Sample Rate and Delay Time Accuracy and Reference*, see page 4-92, verified the "PPM" portion of the delta time specification.

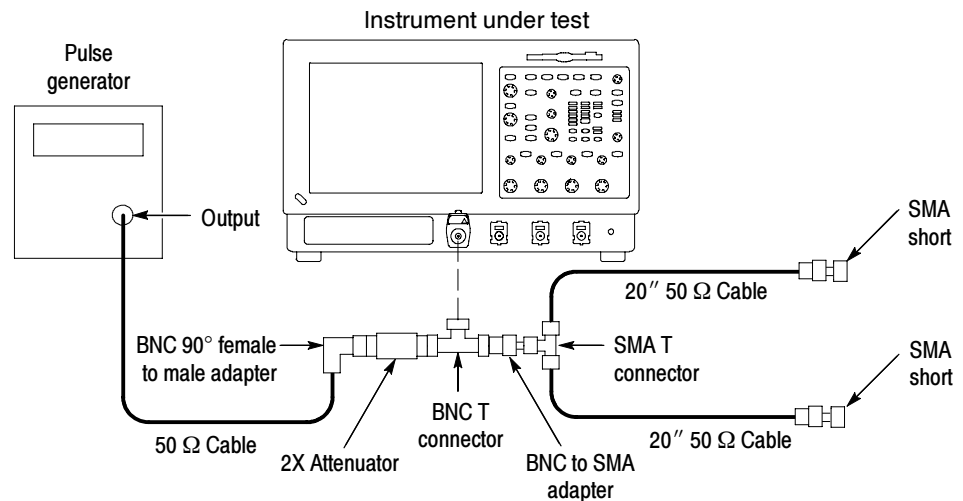


Figure 4-24: Delta time accuracy test hookup

1. Install the test hookup and preset the instrument controls:

- a. Initialize the instrument:** Press the **DEFAULT SETUP** button.
- b. Hook up the pulse generator (see Figure 4-24 on page 4-96):**
 - Connect the pulse generator output to a **50 Ω** precision coaxial cable followed by a 90° right-angle female to male BNC adapter, then a **50 Ω 2X** attenuator. The attenuator is connected to one side of the female BNC T connector. The other side of the BNC T is connected to BNC male to SMA adapter. The SMA side is connected to the male side of the SMA T connector. (Keep the distance between the BNC T and SMA T as short as possible). Connect 20 inch **50 Ω** coaxial cables to each female side of the SMA T connector. Connect the SMA short, to the remaining female SMA connector. Now connect the male BNC T connector to **CH 1**.
 - Set the pulse generator output for a positive-going pulse with a rise-time as shown in Table 4-9 on page 4-98 for your instrument, and for the fastest possible rep rate (at least 1 kHz).
 - Set the pulse generator output for about 500 mV. (This amplitude can be adjusted later to get a 6-division pulse on screen.)
- c. Modify the initialized front-panel control settings:**
 - Power on the pulse generator.
 - Press **AUTOSET**. You may see both positive and negative pulses. Adjust the Trigger **LEVEL** knob so the trigger level is about 50% of the rising edge of the positive pulse.

- From the button bar, touch the **Horiz** button and select the **Acquisition** tab. Press the **RT** button to turn on Real Time Only.
- Set the horizontal SCALE to 5 ns/division. The pulse width should be about **6 ns**. The indicated sample rate should be 20 GS/s
- Set the vertical scale to 20 mV/div. Adjust the vertical Offset and generator output level as necessary to obtain at least **6 divisions** of the **positive** pulse.

NOTE. *If you have followed the procedure, you should have a 120 mV pulse displayed on screen. Later in this procedure you will set the instrument to measure the pulse width at the 75 mV level.*

If the pulse you supply to the instrument is not a 120 mV pulse, you may need to set the reference level (MidRef) to something other than 75 mV. Set the reference level near the center of the pulse, above any noise, and below any overshoot or ringing on the pulse.

d. *Set up for statistics measurements:*

- Press **RUN/STOP** button to freeze the display.
- From the Button bar, touch **MEAS** and select the **Time** tab to bring up the Time Measurements menu.
- Touch the **Positive Width** button.
- Touch Setup **Statistics**. Touch the Measurement Statistics **All** button and then touch **Reset** to reset the statistics.
- Touch **Weight n=**. On the keypad press **1000**, then **ENTER**. Touch **Setup**.
- Touch Setup **Ref Levs** and then touch **Absolute**.
- Touch **MidRef**. Using the keypad or multipurpose knobs, set the mid reference to **75 mV** and press Enter. Touch **Close**.
- Press the **RUN/STOP** button to start the acquisitions.
- Wait about 30 seconds.
- Press **RUN/STOP** button to freeze the display.
- Record the all statistics values.
- Calculate the difference of the Maximum (M) minus the mean (μ).
- Calculate the difference of the mean (μ) minus the Minimum (m).

- Both differences must be less than or equal to the Delta-time accuracy limit shown in Table 4-9 for your instrument.
- Enter the result for delta time on the test record.

Table 4-9: Delta time measurement

Instrument type	Pulse generator rise time range	Delta time accuracy limit
CSA7404B	140 ps - 400 ps	≤ 0.030 ns
TDS7704B, CSA7404B, or TDS7404B	≤ 150 ps	≤ 0.015 ns
TDS7254B	160 ps to 200 ps	≤ 0.015 ns
TDS7154B	160 ps to 240 ps	≤ 0.015 ns

e. *Repeat for all other channels:*

- Note the vertical scale setting of the channel just confirmed.
- Press the Vertical channel button for the channel just confirmed to remove the channel from display.
- Touch **MEAS** and the **Clear** to remove the measurement.
- Press the front-panel button that corresponds to the channel you are to confirm.
- Set vertical SCALE to the setting noted in step e, first bullet.
- Press the Trigger Source button to toggle the source to the channel selected.
- Move the test hookup to the channel you selected.
- Press **RUN/STOP** button to start the display.
- Repeat step d.

2. *Disconnect all test equipment from the instrument.*

Trigger System Checks

These procedures check those characteristics that relate to the trigger system and are listed as checked in *Specifications*.

Check Time Accuracy for Pulse, Glitch, Timeout, and Width Triggering

Equipment required	One sine wave generator (Item 12) One 2X attenuator (Item 26) One 50 Ω , precision coaxial cable (Item 4) One SMA male-to-female BNC adapter (Item 19)
Prerequisites	See page 4-17

1. *Install the test hookup and preset the instrument controls:*
 - a. *Initialize the instrument:* Press the **DEFAULT SETUP** button.
 - b. *Modify the default setup:* Set the horizontal **SCALE** to 2.5 ns.
 - c. *Hook up the test-signal source:* Connect the output of the sine wave generator (Item 12) to CH 1.

Do this through a 50 Ω precision coaxial cable, followed by a 2X attenuator and adapter. See Figure 4-25.

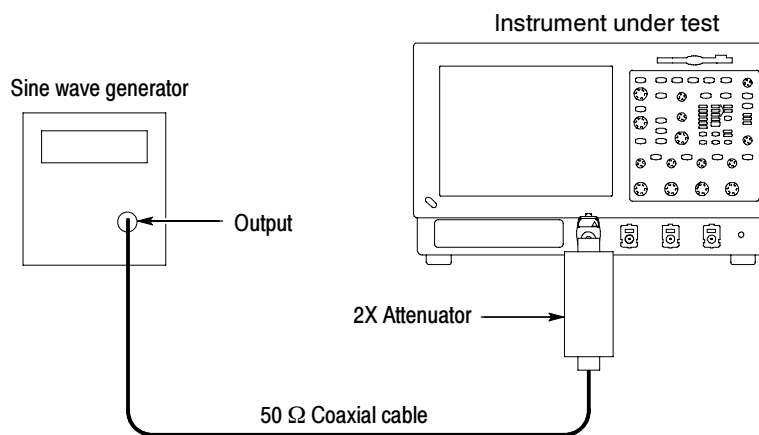


Figure 4-25: Initial test hookup

- d. *Set the trigger mode:* Press the Trigger **MODE** button to toggle it to **NORMAL**.

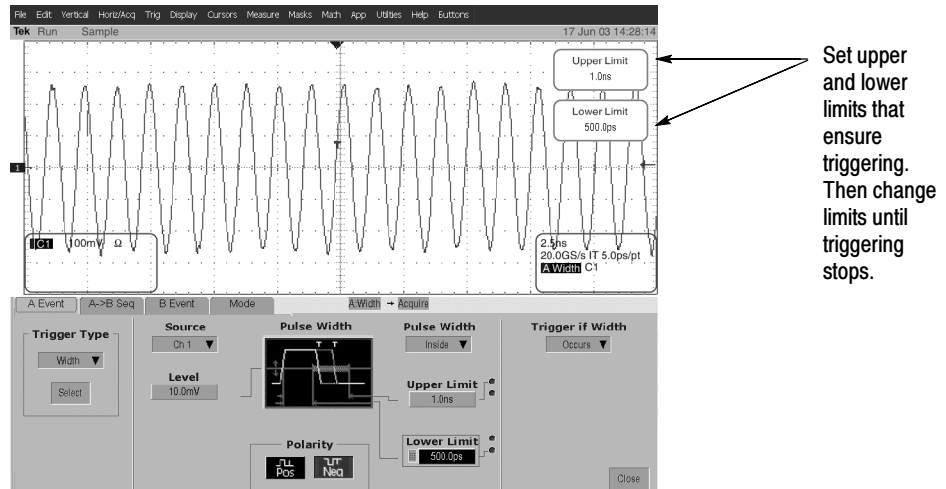


Figure 4-26: Measurement of time accuracy for pulse and glitch triggering

2. *Confirm the trigger system is within time-accuracy limits for pulse-glitch or pulse-width triggering ($1\text{ ns} < \text{time range} > 1\text{ }\mu\text{s}$):*
 - a. *Set upper and lower limits that ensure triggering at 100 MHz:* See Figure 4-26.
 - Press the front-panel **ADVANCED** button and select the **A Event** tab; then pull down on Trigger Type and select **width** triggering.
 - Pull down Pulse Width and select **Inside** limits.
 - Touch **Upper Limit**. Use the keyboard to set the upper limit to 10 ns.
 - Touch **Lower Limit**. Use the keypad to set the lower limit to 2 ns.
 - b. *Display the test signal:*
 - Set the Horizontal **SCALE** to 20 ns.
 - Set the output of the sine wave generator for a 100 MHz, five-division sine wave on screen. Set the Vertical **SCALE** to 20 mV (the waveform will overdrive the display).
 - Press **PUSH TO SET LEVEL 50%**.
 - c. *Check against limits:* Do the following subparts in the order listed.
 - While doing the following subparts, monitor the display (it will stop acquiring) and the front-panel light **TRIG'D** (it will extinguish) to determine when triggering is lost.

- Use the multipurpose knob to *increase* the **Lower Limit** readout until triggering is lost.
 - CHECK that the **Lower Limit** readout, after the instrument stops triggering, is within 4.75 ns to 5.25 ns, inclusive.
 - Enter the time on the test record.
 - Use the keypad to return the **Lower Limit** to 2 ns and reestablish triggering.
 - Touch **Upper Limit**; then use the multipurpose knob to slowly *decrease* the **Upper Limit** readout until triggering stops.
 - CHECK that the **Upper Limit** readout, after the instrument loses triggering, is within 4.75 ns to 5.25 ns, inclusive.
 - Enter the time on the test record.
3. *Disconnect the hookup*: Disconnect the cable and adapter from the generator output and the input connector of **CH 1**.

Check Sensitivity, Edge Trigger, DC Coupled

Equipment required	One sine wave generator (Item 12) Two precision 50 Ω coaxial cables (Item 4) One 10X attenuator (Item 1) One BNC T connector (Item 6) One SMA male-to-female BNC adapter (Item 19) One 5X attenuator (Item 2)
Prerequisites	See page 4-17.

1. *Install the test hookup and preset the instrument controls*:
- a. *Initialize the instrument*: Press the **DEFAULT SETUP** button.
 - b. *Modify the initialized front-panel control settings*:
 - Set the Horizontal **SCALE** to 20 ns.
 - Press the Trigger **MODE** button to toggle it to **Normal**.
 - From the tool bar, touch **Horiz** and select the **Acquisition** tab.
 - Touch **Average** and set the number of averages to **16**.
 - Touch the **Equivalent Time ET** button.

c. *Hook up the test-signal source:*

- Connect the signal output of the generator to a BNC T connector. Connect one output of the T connector to **CH 1** through a 50 Ω precision coaxial cable and an adapter. Connect the other output of the T connector to the **AUX INPUT** through a 50 Ω precision coaxial cable. See Figure 4-27.

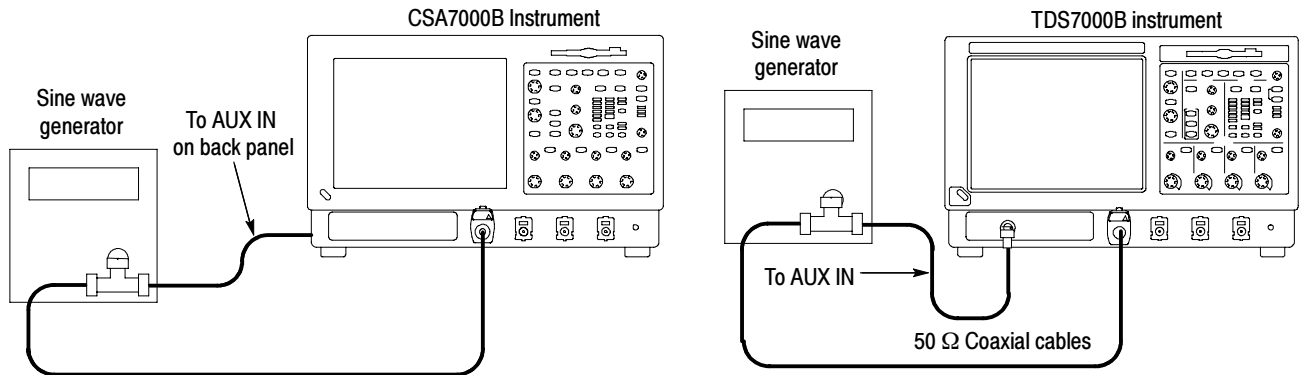


Figure 4-27: Initial test hookup

2. *Confirm the trigger system is within sensitivity limits (50 MHz):*

a. *Display the test signal:*

- Set the generator frequency to 50 MHz.
- From the button bar, touch **MEAS**.
- Touch Setup **Ref Levs**; then touch the **Min-Max** button.
- Touch the **Setup** button and select the **Ampl** tab; then touch the **Amplitude** button.
- Touch **Close**.
- Press **PUSH TO SET 50%**.
- Set the test signal amplitude for about five divisions on screen. Now fine adjust the generator output until the **CH 1 Amplitude** readout indicates the amplitude is 500 mV. Readout may fluctuate around 500 mV.
- Disconnect the 50 Ω precision coaxial cable at **CH 1** and reconnect it to **CH 1** through a 10X attenuator.

b. Check the Main trigger system for stable triggering at limits:

- Read the following definition: A stable trigger is one that is consistent; that is, one that results in a uniform, regular display triggered on the selected slope (positive or negative). This display should *not* have its trigger point switching between opposite slopes, nor should it roll across the screen. At horizontal scale settings of 2 ms/division and faster, **TRIG'D** will remain constantly lighted. It will flash for slower settings.
- Press the Trigger **Slope** button to select the positive slope.
- Adjust the Trigger **LEVEL** knob so that there is a stable trigger. CHECK that the trigger is stable for the test waveform on the positive slope.
- Press the Trigger **Slope** button to select the negative slope. Adjust the Trigger **LEVEL** knob so that there is a stable trigger.
- CHECK that the trigger is stable for the test waveform on the negative slope.
- Leave the trigger system triggered on the positive slope of the waveform before continuing to the next step.

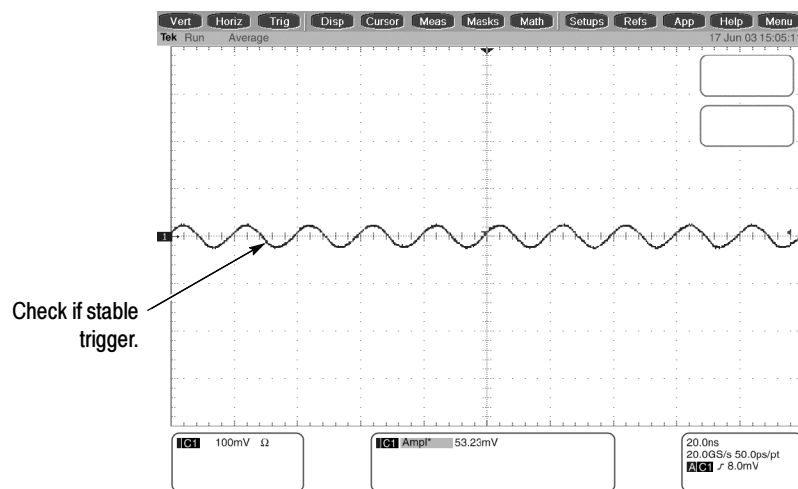


Figure 4-28: Measurement of trigger sensitivity - 50 MHz results shown

c. Check Delayed trigger system for stable triggering at limits: Do the following subparts in the order listed.

- From the button bar touch **Trig**, select the **A Event** tab, and set the **Source** to Line.

- From the button bar touch **Trig**, select the **A->B Seq** tab, and touch the A then B **Trig After Time** button.
- Select the **B Event** tab, and touch the **Set 50%** button.
- CHECK that a stable trigger is obtained for the test waveform for both the positive and negative slopes of the waveform. Use the **TRIGGER LEVEL** knob to stabilize the Main trigger. Touch **B Trig Level** and use the keypad or the multipurpose knob/FINE button to stabilize the Delayed trigger. Touch one of the Slope buttons to switch between trigger slopes. See Figure 4-28 on page 4-103.
- Leave the Delayed trigger system triggered on the positive slope of the waveform before continuing to the next step. Also, return to the main trigger: select the **A->B Seq** tab and touch the A->B Sequence **A Only** button. Then select the **A Event** tab.
- Press **Close**.

3. *Confirm the AUX Trigger input (at 50 MHz):*

a. *Display the test signal:*

- Remove the 10X attenuator and reconnect the cable to **CH 1**.
- Set the signal amplitude as follows:

CSA7404B	2.5 divisions
TDS7704B, CSA7404B, TDS7404B, TDS7254B & TDS7154B	1.5 divisions
- Now fine adjust the generator output until the **CH 1 Amplitude** readout indicates the amplitude is as follows (Readout may fluctuate):

CSA7404B	250 mV
TDS7704B, CSA7404B, TDS7404B, TDS7254B & TDS7154B	150 mV

b. *Check the AUX trigger source for stable triggering at limits:* Do the following in the order listed.

- Use the definition for stable trigger from step 2b.
- Press the Trigger **SOURCE** button to toggle it to **EXT**.
- Press **PUSH TO SET 50%**.
- CHECK that a stable trigger is obtained for the test waveform on both the positive and negative slopes. Press the Trigger **SLOPE**

button to switch between trigger slopes. Use the Trigger **LEVEL** knob to stabilize the trigger if required.

- Leave the trigger system triggered on the positive slope of the waveform before proceeding to the next check.
- Press the Trigger **SOURCE** button to toggle it to **CH 1**.

4. *Confirm that the trigger system is within sensitivity limits (full bandwidth):*

a. *Set the Horizontal Scale:* Set the Horizontal **SCALE** to 200 ps.

b. *Display the test signal:*

- Set the generator frequency to full bandwidth as follows:

CSA7404B	3 GHz
TDS7704B	3 GHz
CSA7404B	3 GHz
TDS7404B	3 GHz
TDS7254B	2.5 GHz
TDS7154B	1.5 GHz

- Set the generator amplitude on screen as follows:

TDS7704B	7 divisions
CSA7404B	7 divisions
TDS7404B	7 divisions
TDS7254B	5 divisions
TDS7154B	5 divisions

- Now fine adjust the generator output until the **CH 1 Amplitude** readout indicates the amplitude is as follows (Readout may fluctuate):

TDS7704B	750 mV
CSA7404B	750 mV
TDS7404B	750 mV
TDS7254B	500 mV
TDS7154B	500 mV

- Disconnect the cable at **CH 1** and reconnect it to **CH 1** through a 5X attenuator. Check that a stable trigger is obtained.

c. Repeat step 2, substep b for the full bandwidth selected.

d. *Display the test signal (delay trigger at 1.5 GHz):*

- Set the generator frequency as follows:

CSA7404B	1.5 GHz
----------	----------------

TDS7704B, CSA7404B, TDS7404B,
TDS7254B & TDS7154B

1.5 GHz

- Disconnect the 5X attenuator. Set the test signal amplitude for about five divisions on screen. Now fine adjust the generator output until the **CH 1 Amplitude** readout indicates the amplitude is 500 mV. (Readout may fluctuate around 500 mV).
 - Disconnect the cable at **CH 1** and reconnect it to **CH 1** through a 5X attenuator. Check that a stable trigger is obtained.
- e. Repeat step 2, substep c only, for the bandwidth selected.
- f. *Display the test signal (Aux trigger at 2 GHz):*
- Set the generator frequency to 2 GHz.
 - Set the Horizontal SCALE to 200 ps.
 - Remove the 5X attenuator and reconnect the cable to **CH 1**.
 - Set the generator amplitude on screen as follows:

CSA7404B	4 divisions
TDS7704B, CSA7404B, TDS7404B, TDS7254B & TDS7154B	5 divisions
 - Now fine adjust the generator output until the **CH 1 Amplitude** readout indicates the amplitude is as follows (Readout may fluctuate):

CSA7404B	350 mV
TDS7704B, CSA7404B, TDS7404B, TDS7254B & TDS7154B	500 mV
- g. Repeat step 3, substeps b only, for the full bandwidth selected.

NOTE. *You just checked the trigger sensitivity. If desired, you may repeat steps 1 through 4c for the other channels (CH 2, CH 3, and CH 4).*

5. *Disconnect the hookup:* Disconnect the cables and adapter from AUX IN and the channel last tested.

Output Signal Checks

The procedure that follows checks those characteristics of the output signals that are listed as checked under *Warranted Characteristics* in *Specifications*.

Check Outputs — CH 3 Signal Out and Aux Trigger Out

Equipment required	Two precision 50 Ω coaxial cables (Item 4) One calibration generator (Item 10) Two SMA male-to-female BNC adapter (Item 19)
Prerequisites	See page 4-17. Also, the instrument must have passed <i>Check DC Voltage Measurement Accuracy</i> on page 4-45.

1. *Install the test hookup and preset the instrument controls:*

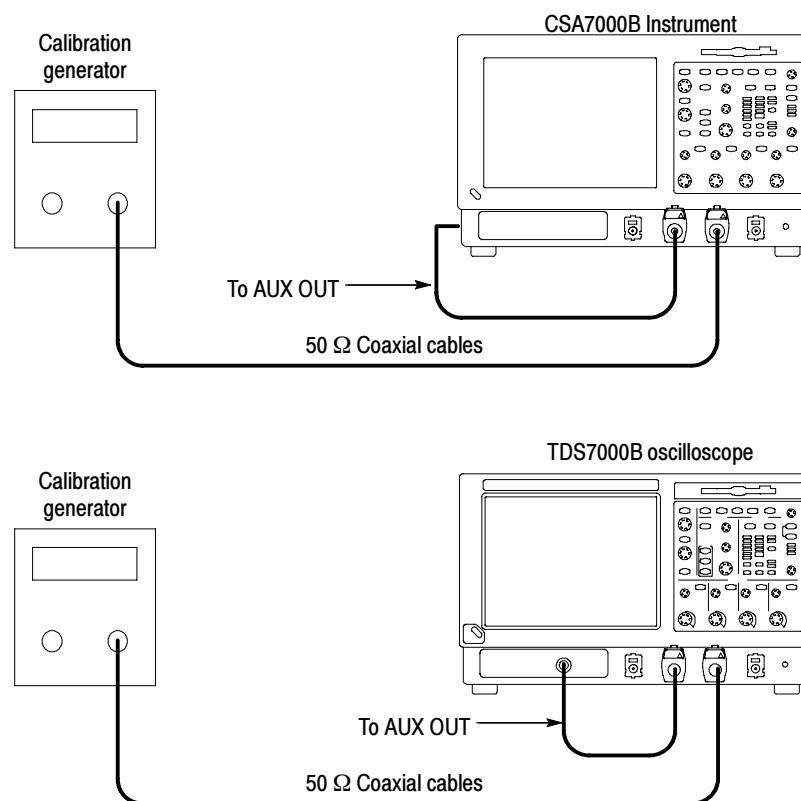


Figure 4-29: Initial test hookup

- a. *Hook up test-signal source 1 (See Figure 4-29):*
 - Connect the standard amplitude output of a calibration generator through a 50 Ω precision coaxial cable to **CH 3** through an adapter.
 - Set the calibration generator to output a 0.500 V square wave.

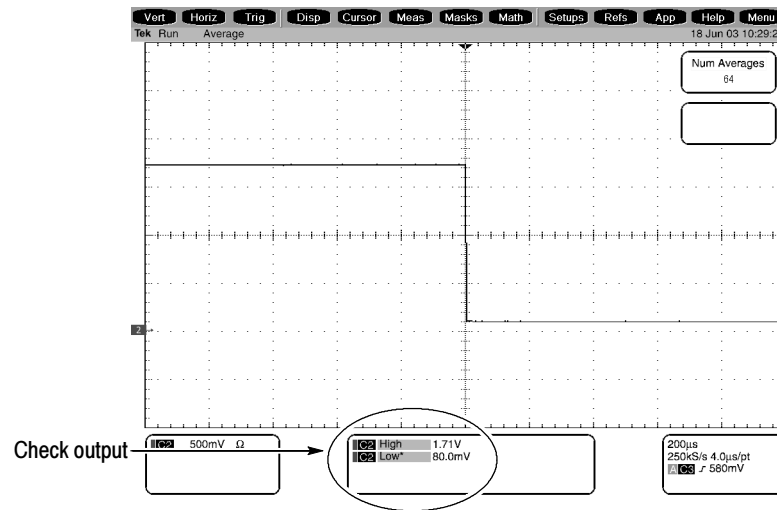


Figure 4-30: Measurement of trigger out limits

3. Confirm SIGNAL OUT is within limits for gain:

a. Measure gain:

- Move the precision 50 Ω cable from the **AUX OUT** BNC to the **SIGNAL OUT** BNC.
- Set Vertical **SCALE** to 50 mV.
- Press **PUSH TO SET 50%**.
- From the button bar, touch **MEAS** and select the **Ampl** tab.
- Touch the **Pk-Pk** button.
- Touch **Close**.

b. Check against limits: CHECK that the readout **CH 2 Pk-Pk** is between 40 mV and 60 mV, inclusive.

4. Confirm SIGNAL OUT is within limits for offset:

- Disconnect the cable from the CH 3 input.
- From the button bar, touch **MEAS** and select the **Ampl** tab.
- Touch the **Low** button.
- Touch **Close**.

a. Check against limits: CHECK that the Low reading is between -100 mV and -170 mV, inclusive.

5. *Disconnect the hookup:* Disconnect the cables and adapters from the inputs and outputs.

Check Probe Compensation Output

Equipment required	Two dual-banana connectors (Item 5) One BNC T connector (Item 6) Two precision 50 Ω coaxial cables (Item 4) One DC calibration generator (Item 9) One SMA-to-BNC adapter (Item 19)
Prerequisites	See page 4-17. Also, the instrument must have passed <i>Check Accuracy For Long-Term Sample Rate and Delay Time Accuracy and Reference</i> on page 4-92.

1. *Install the test hookup and preset the instrument controls:*
 - a. *Hook up test-signal:*
 - Connect one of the 50 Ω cables to **CH 1** through an adapter. See Figure 4-31.
 - Connect the other end of the cable just installed to the **PROBE COMPENSATION** output. See Figure 4-31.

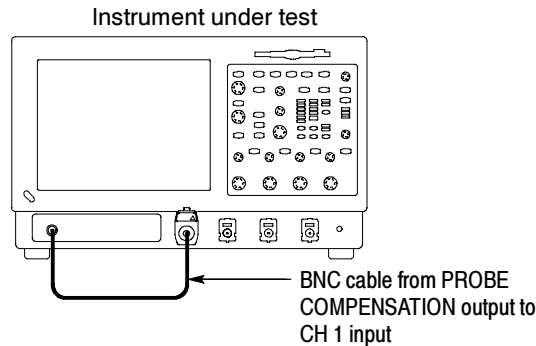


Figure 4-31: Initial test hookup

- b. *Initialize the instrument:* Press the **DEFAULT SETUP** button.
- c. *Modify the initialized front-panel control settings:*
 - Set the **Vertical SCALE** to 100 mV.

- From the tool bar, touch the **Vert** button and then touch **Offset**. Adjust the Ch1 Offset to -0.25 V using the multipurpose knob.
 - Set the Horizontal **SCALE** to $200\ \mu\text{s}$.
 - Press **PUSH TO SET 50%**.
 - Use the Vertical **POSITION** knob to center the display on screen.
 - From the tool bar, touch **Horiz** and select the **Acquisition** tab.
 - Touch **Average** and set the number of averages to **128**.
2. Confirm that the Probe Compensator signal is within limits for frequency:
- a. Measure the frequency of the probe compensation signal:
 - From the button bar, touch **MEAS** and select the **Time** tab.
 - Touch the **Freq** button.
 - b. Check against limits:
 - CHECK that the **CH 1 Freq** readout is within 950 Hz to 1.050 kHz , inclusive. See Figure 4-32.
 - Enter the frequency on the test record.
 - Touch **Clear** to remove the measurement.

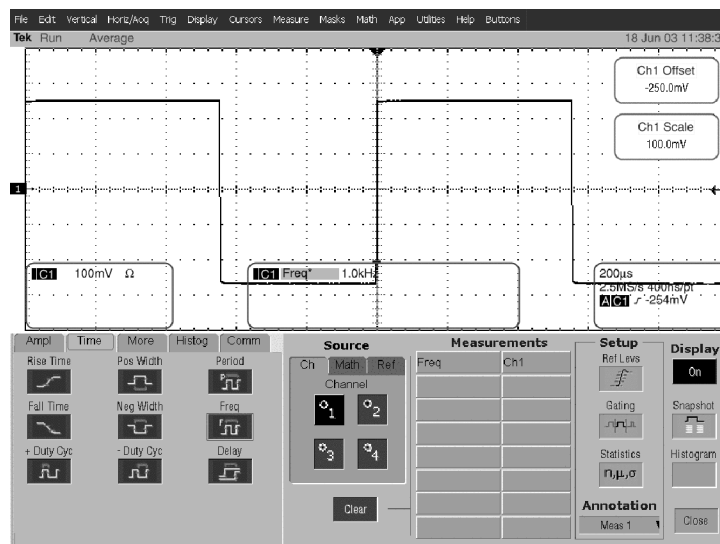


Figure 4-32: Measurement of probe compensator frequency

- c. *Save the probe compensation signal in reference memory:*
- Touch **Refs**; then select the **Ref 1** tab.
 - Touch the Save Wfm to Ref1 **Save** button to save the probe compensation signal in reference 1.
 - Disconnect the cable from **CH 1** and the probe compensation connector.
 - Touch the **Display** button to toggle it to on to displayed the stored signal.
- d. *Hook up the DC standard source:*
- Set the output of a DC calibration generator to off or 0 volts.
 - Connect the output of a DC calibration generator through a dual-banana connector followed by a 50 Ω precision coaxial cable to one side of a BNC T connector. See Figure 4-33.
 - Connect the Sense input of the generator through a second dual-banana connector followed by a 50 Ω precision coaxial cable to the other side of the BNC T connector. Now connect the BNC T connector to **CH 1** through a TCA-BNC or BNC-to-SMA adapter. See Figure 4-33.

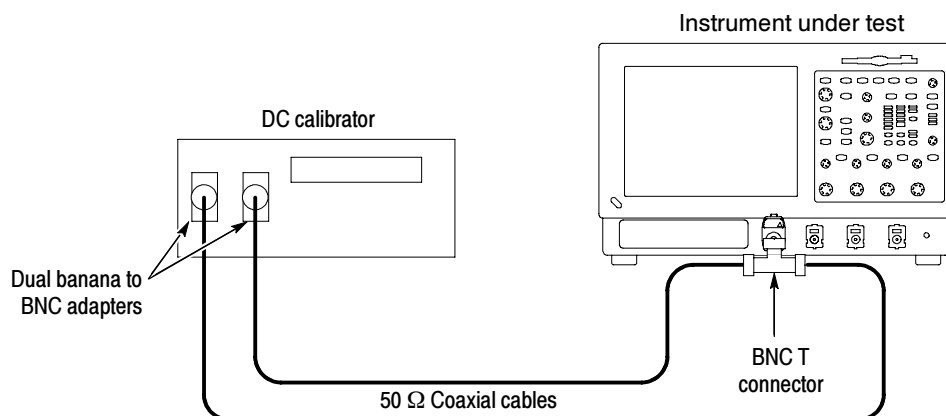


Figure 4-33: Subsequent test hookup

- e. *Measure amplitude of the probe compensation signal:*
- From the tool bar, touch **Horiz** and select the **Acquisition** tab.
 - Touch **Average** and set the number of averages to **16** using the keypad or the multipurpose knob.

- Adjust the output of the DC calibration generator until it precisely overlaps the top (upper) level of the stored probe compensation signal. (This value will be near 0.0 V).
 - Record the setting of the DC generator.
 - Adjust the output of the DC calibration generator until it precisely overlaps the base (lower) level of the stored probe compensation signal. (This value will be near -500 mV).
 - Record the setting of the DC generator.
- f. Press **Close** to remove the menus from the display. See Figure 4-34.

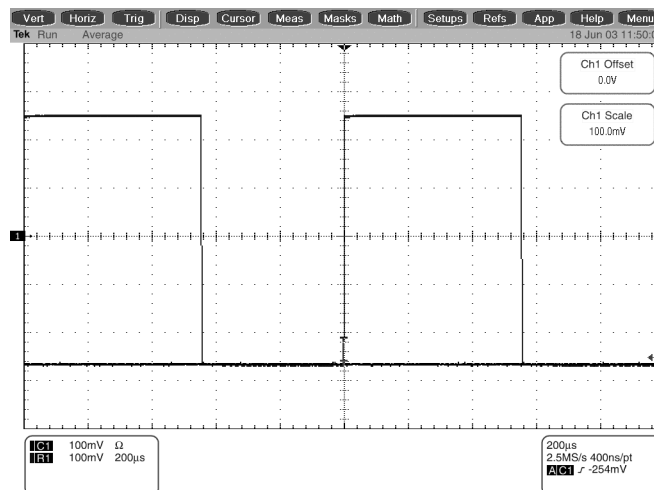


Figure 4-34: Measurement of probe compensator amplitude

- g. *Check against limits:*
- Subtract the value just obtained (base level) from that obtained previously (top level).
 - CHECK that the difference obtained is within 400 mV to 600 mV, inclusive.
 - Enter voltage difference on test record.
3. *Disconnect the hookup:* Disconnect the cable and adapter from **CH 1**.

Serial Trigger Checks (TDS7000B Series Option ST and CSA7000B Series Only)

These procedures check those characteristics that relate to the serial trigger system and are listed as checked in *Specifications*.

Check Serial Trigger Baud Rate Limits and Word Recognizer Position Accuracy

Equipment required	One precision 50 Ω coaxial cables (Item 4) One sine-wave generator (Item 12) One SMA-to-BNC, TCA-BNC, or TCA-SMA adapters (Item 19)
Prerequisites	See page 4-17. Also, the instrument must have passed <i>Check DC Voltage Measurement Accuracy</i> on page 4-45.

1. *Install the test hookup and preset the instrument controls:*

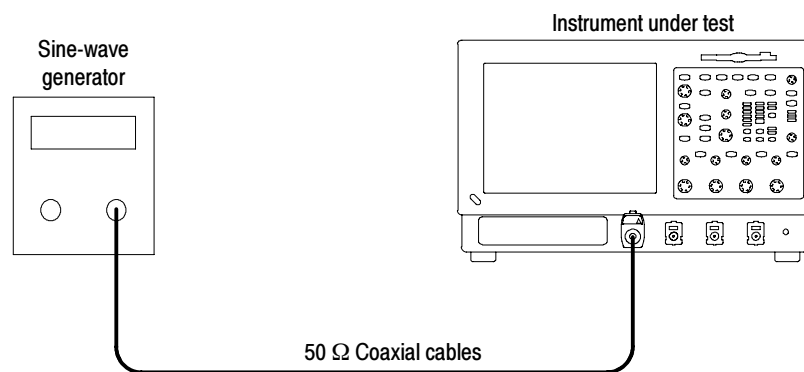


Figure 4-35: Initial test hookup

- a. *Hook Up the test-signal source (see Figure 4-35):*
 - Connect the sine wave output of the sine-wave generator through a 50 Ω precision coaxial cable to CH 1 through an adapter.
 - Set the sine-wave generator to output a 433 MHz sine wave.
- b. *Initialize the instrument:* Press the **DEFAULT SETUP** button.
- c. *Modify the initialized front-panel control settings:*
 - Set the vertical **SCALE** to 50 mV per division.
 - Set the horizontal **SCALE** to 2.5 ns per division.
 - Adjust the sine-wave generator output for 4 divisions of amplitude centered on the display.

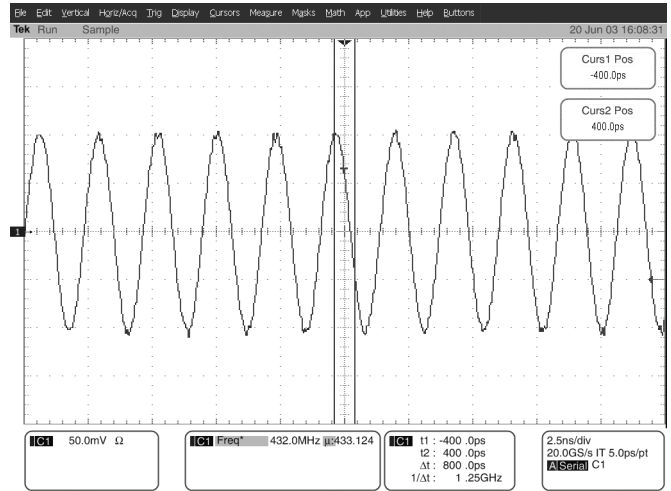
- Adjust the trigger **LEVEL** to trigger at 25% (-1 division) on the sine wave.

Table 4-10: Serial pattern data

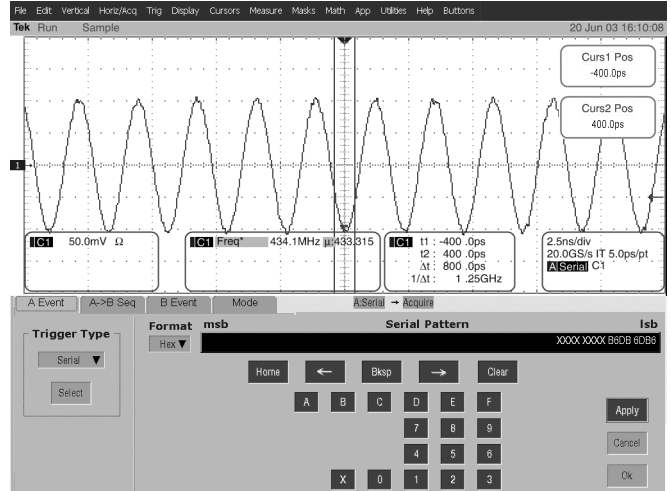
Serial pattern data	Trigger location
B6DB 6DB6 DB6D B6DB ₁₆	One UI before the 0
6DB6 DB6D B6DB 6DB6 ₁₆	At the 0
DB6D B6DB 6DB6 DB6D ₁₆	One UI after the 0

2. *Verify that the signal path can do isolated 0 and pattern matching circuits can do isolated 1:*
 - a. From the button bar, touch **Cursors** and then the **Setup** button. If using the menu bar, touch **Cursors** and then select **Cursor Setup**. Touch the **Cursor** button to toggle it on and display the cursors.
 - b. Set the Tracking Mode to **Tracking**.
 - c. Touch the **Close** button.
 - d. Adjust the cursors until the Δt readout equals 800 ps (one unit interval). Center the cursors around the center graticule line (see Figure 4-36).
 - e. From the button bar, touch **Trig**, select the **A Event** tab, and touch the **Select** button.
 - f. Touch the **Serial** button and then set the Standard to **GB Ethernet**.
 - g. Touch the **Editor** button.
 - h. Set the Format to **Hex** and then touch the **Clear** button.
 - i. Enter data into the Serial Pattern Data field for one of the settings in Table 4-10 that is not yet checked. (Start with the first setting listed.)
 - j. Touch **Apply**.
 - k. Verify that the instrument triggers one Unit Interval (UI, one baud divided by the bit period) before the 0 in the input signal (see Figure 4-36). Enter pass or fail in the test record.
 - l. Touch the **Clear** button.
 - m. Enter data into Serial Pattern Data field for the next setting in Table 4-10 that is not yet checked.
 - n. Touch **Apply**.

Triggered 1 UI before a 0



Triggered on a 0



Triggered 1 UI after a 0

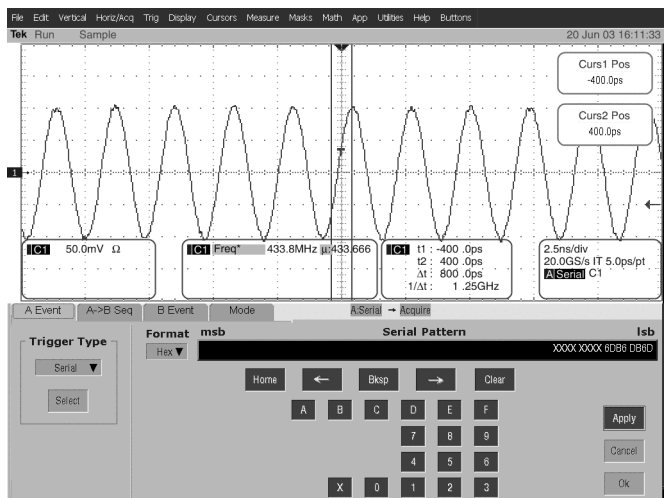


Figure 4-36: Isolated 0 triggering

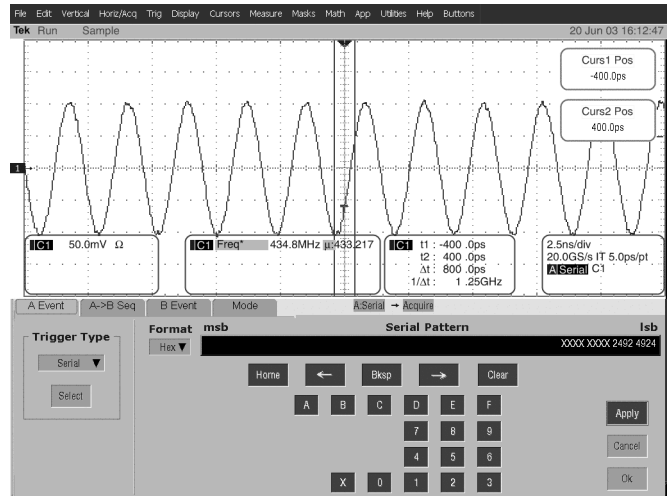
- o. Verify that the instrument triggers at the 0 in the input signal (see Figure 4-36). Enter pass or fail in the test record.
- p. Touch the **Clear** button.
- q. Enter data into Serial Pattern Data field for the next setting in Table 4-10 that is not yet checked.
- r. Touch **Apply**.
- s. Verify that the instrument triggers one Unit Interval (UI) after the 0 in the input signal (see Figure 4-36). Enter pass or fail in the test record.

Table 4-11: Word recognizer data

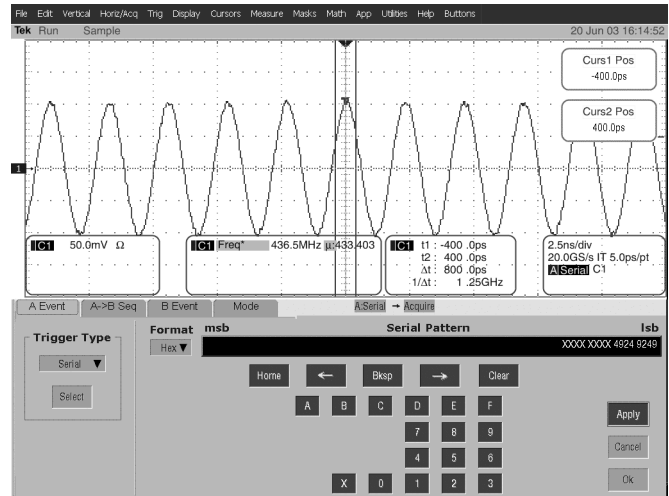
Serial pattern data	Trigger location
4924 9249 2492 4924 ₁₆	One UI before the 1
9249 2492 4924 9249 ₁₆	At the 1
2492 4924 9249 2492 ₁₆	One UI after the 1

3. *Verify that the serial path and pattern matching circuits can do isolated 1s:*
 - a. Adjust the trigger **LEVEL** to trigger at 75% (+1 division) on the sine wave.
 - b. Touch the **Clear** button.
 - c. Enter data into the Serial Pattern Data field for one of the settings in Table 4-11 that is not yet checked. (Start with the first setting listed.)
 - d. Touch **Apply**.
 - e. Verify that the instrument triggers one Unit Interval (UI) before the 1 in the input signal (see Figure 4-37). Enter pass or fail in the test record.
 - f. Touch the **Clear** button.
 - g. Enter data into the Serial Pattern Data field for the next setting in Table 4-11 that is not yet checked.
 - h. Touch **Apply**.
 - i. Verify that the instrument triggers at the 1 in the input signal (see Figure 4-37). Enter pass or fail in the test record.
 - j. Touch the **Clear** button.
 - k. Enter data into the Serial Pattern Data field for the next setting in Table 4-11 that is not yet checked.

Triggered 1 UI before a 1



Triggered on a 1



Triggered 1 UI after a 1

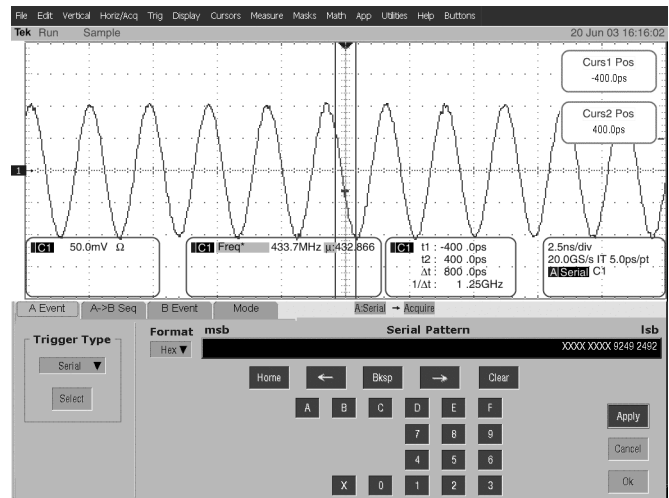


Figure 4-37: Isolated 1 triggering

- l. Touch **Apply**.
 - m. Verify that the instrument triggers one Unit Interval (UI) after the 1 in the input signal (see Figure 4-37). Enter pass or fail in the test record.
4. *Verify that the pattern matching circuits can do isolated 1:*
- a. Adjust the trigger **LEVEL** to trigger at 75% (+1 division) on the sine wave.
 - b. Set the Format to **Binary** and then touch the **Clear** button.

NOTE. *When entering the Serial Pattern Data, you only need to enter the 1 and any trailing bits. When you touch the apply button, the instrument automatically fills all leading bit positions with an X (don't cares).*

- c. Set the Serial Pattern Data pattern bits to XXXX XXXX XXXX XXXX
XXXX XXXX XXXX XXXX XXXX XXXX XXXX XXXX XXXX
XXXX XXXX XXX1₂.
 - d. Touch **Apply**.
 - e. Verify that the instrument triggers on a 1 (see Figure 4-38). Enter pass or fail in the test record.
 - f. Touch the **Clear** button.
 - g. Set all Serial Pattern Data bits to X except for the nth bit, where n is the step number. For example: if step 4c is step 1 for bit 1, the pattern for step 2, bit 2 is XXXX XXXX XXXX XXXX XXXX XXXX XXXX
XXXX XXXX XXXX XXXX XXXX XXXX XXXX XXXX XX1X₂.
 - h. Touch **Apply**.
 - i. Verify that the trigger occurs (n modulo 3) clock cycles after the 1 (see Figure 4-38). Enter pass or fail in the test record.
 - j. Repeat steps g and i until all 64 bits of the Serial Pattern Data have contained a 1.
5. *Disconnect the hookup:* Disconnect the cables and adapters from the inputs and outputs.

Check Serial Trigger Clock Recovery Range

Equipment required	One precision 50 Ω coaxial cables (Item 4) One sine-wave generator (Item 12) One SMA-to-BNC, TCA-BNC, or TCA-SMA adapters (Item 19)
Prerequisites	See page 4-17. Also, the instrument must have passed <i>Check DC Voltage Measurement Accuracy</i> on page 4-45.

1. Install the test hookup and preset the instrument controls:

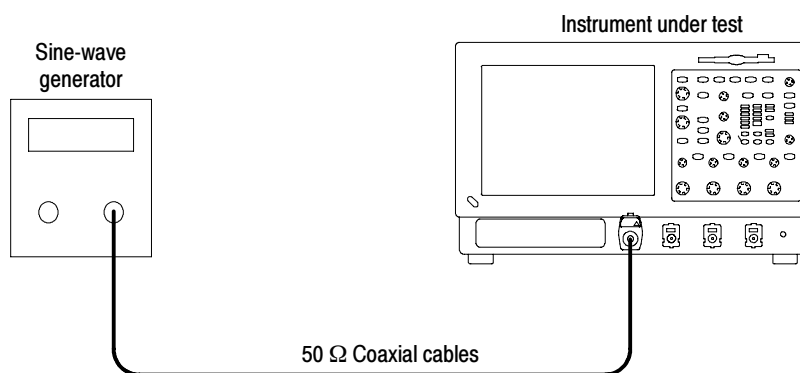


Figure 4-39: Initial test hookup

- a. *Hook up test-signal source 1 (See Figure 4-39):*
 - Connect the sine wave output of the sine-wave generator through a 50 Ω precision coaxial cable to CH 1 through an adapter.
 - Set the sine-wave generator to output a 1.5625 GHz sine wave.
- b. *Initialize the instrument:* Press the **DEFAULT SETUP** button.
- c. *Modify the initialized front-panel control settings:*
 - Press the Vertical **SCALE** to 50 mV per division.
 - Set the horizontal **SCALE** to 200 ps per division.
 - From the button bar, touch the **Disp** (display) button.
 - Set the Display Style to **Dots**.
 - Set the Display Persistence to **Variable**, and set the Persist Time to **3.0 s**.
 - Touch the **Close** button.

- Adjust the sine-wave generator output for 8 divisions of amplitude.
- From the button bar, touch **Trig** and select the **A Event** tab.
- Touch the **Select** button.
- Touch the **Comm** button. Set **Source** to Ch1, **Type** to R Clk, and **Coding** to NRZ.

2. *Verify the clock recovery at frequency:*

- a. From the button bar, touch **Trig** and select the **A Event** tab.
- b. Set the sine-wave generator to output one of the input frequencies in Table 4-12 (on page 4-123) that is not yet checked. (Start with the first setting listed.)
- c. Set the instrument Bit Rate to the Recovered clock Baud rate listed in the table for the current input frequency.

NOTE. *The instrument will attempt to acquire lock once. If the input data is disrupted, removed, or heavily distorted, the instrument may not acquire lock or may lose lock. If the recovered clock is not locked to the incoming data, the waveform display will not be stable (see Figure 4-40). Once the input data is available, press the PUSH SET TO 50% knob to force the instrument to acquire lock again.*

- d. Press **PUSH TO SET 50%**.

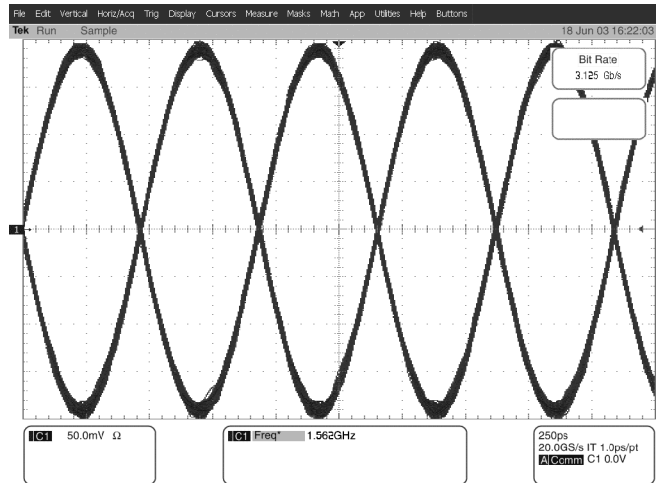
NOTE. *As the input frequency is lowered, adjust the Horizontal SCALE to maintain about 3 to 5 eyes across the display.*

- e. Verify that lock is acquired as in Figure 4-40.
 - f. Repeat substeps b through d for each input frequency and Baud rate listed in Table 4-12 (on page 4-123).
 - g. If all tests pass, enter passed in the test record.
3. *Disconnect the hookup:* Disconnect the cables and adapters from the inputs and outputs.

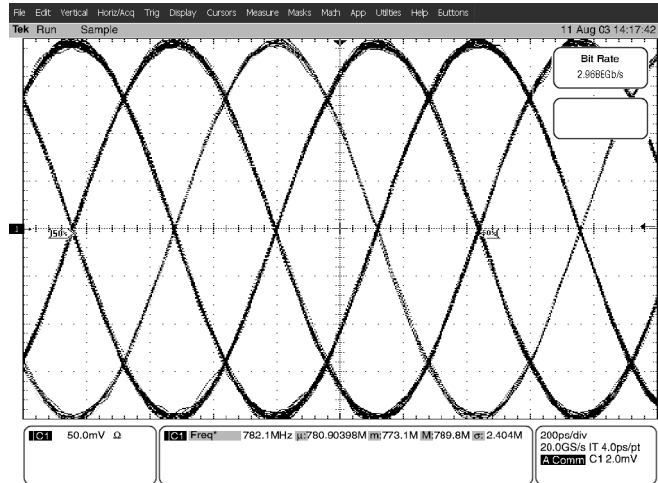
Table 4-12: Clock recovery input frequencies and baud rates

Input frequency	Recovered clock Baud rate
1.5625 GHz	3125 Mbaud
781.25MHz	3125 Mbaud
781.25 MHz	2968.8 Mbaud
742.19 MHz	3125 Mbaud
600 MHz	2400 Mbaud
575.00 MHz	2300 Mbaud
575.00 MHz	2185 Mbaud
546.25 MHz	2300 Mbaud
390.63 MHz	1562.5 Mbaud
388.13 MHz	1552.5 Mbaud
194.06 MHz	776.25 Mbaud
194.06 MHz	737.44 Mbaud
184.36 MHz	776.25 Mbaud
136.44 MHz,	574.50Mbaud
143.27 MHz	545.78 Mbaud
97.031 MHz	388.13 Mbaud
48.766 MHz	195.06 Mbaud
24.383 MHz	97.531 Mbaud
12.191 MHz	48.766 Mbaud
6.0957 MHz	24.383 Mbaud
3.0479 MHz	12.191 Mbaud
1.5239 MHz	6.0957 Mbaud
761.96 kHz	3.0479 Mbaud
380.98 kHz	1.5239 Mbaud

Recovered clock locked
(1.5625 GHz)



Recovered clock locked
(All frequencies except
1.5625 GHz)



A possible display with the
recovered clock not locked



Figure 4-40: Clock recovery

Optical-to-Electrical Converter Checks (CSA7000B Series Only)

The procedure that follows checks those characteristics of the Optical-to-electrical converter that are listed as checked under *Warranted Characteristics* in *Specifications*.

Check Dark Level Calibration

Equipment required	Fiber-optic dust cap (Item 38) O/E electrical out-to-CH1 input adapter (Item 32)
Prerequisites	See page 4-17. Also, the instrument must have passed <i>Check DC Voltage Measurement Accuracy</i> on page 4-45.

1. *Install the test hookup and preset the instrument controls:*
 - a. *Hook up test-signal source 1 (See Figure 4-41 on page 4-125):*
 - Install the O/E Electrical Out-to-CH 1 Input adapter on the CSA Instrument.
 - Install the fibre-optic dust cap onto the OPTICAL INPUT connector of the O/E converter.

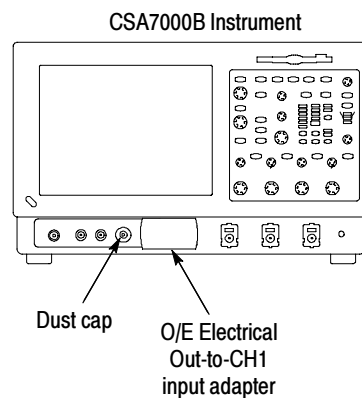


Figure 4-41: Initial test hookup

2. Follow this procedure to make the Dark Level checks:
 - a. In the **Utilities** menu, select Instrument **Calibration**. Check that the Status is Pass.
 - b. Press the **Calibrate** button.
 - c. Wait until the compensation is completed.

- d. Check that the Status is **Pass**.
 - e. From the tool bar, touch **Vert** and select the **Chan 1** tab.
 - f. Select a Wavelength.
3. Follow this procedure to calibrate the Dark Level:
- a. Press **Dark Level Calibration** and wait for the compensation to complete.
 - b. Wait until the compensation is completed.
 - c. Check that the Status is **Pass**.
4. *Initialize the instrument:* Press the **DEFAULT SETUP** button.
5. *Modify the initialized front-panel control settings:*
- From the tool bar, touch **Meas** and select the **Ampl** tab.
 - Touch **Mean**.
 - From the tool bar, touch **Horiz** and select the **Acquisition** tab.
 - Touch **Average** and set the number of averages to **64**.
 - Touch the **Close** button.
 - Set the Vertical **SCALE** to 10 μW .

Table 4- 13: Dark level

Scale setting	Accuracy limits
10 μW	$\leq 2.6 \mu\text{W}$
20 μW	$\leq 3.6 \mu\text{W}$
50 μW	$\leq 6.6 \mu\text{W}$

6. *Confirm Dark Level is within limits:* Do the following substeps — test the scale settings in Table 4-13.
- a. Select an unchecked scale setting from Table 4-13.
 - b. **CHECK** that the **CH 1 Mean** readout is within the limits listed for the current scale setting in the table. Record the mean on the test record.
7. Repeat step 6 until all scale settings have been checked.

Check Maximum Optical-to-Electrical Noise

Equipment required	Fiber-optic dust cap (Item 38) O/E electrical out-to-CH1 input adapter (Item 32)
Prerequisites	See page 4-17. Also, the instrument must have passed <i>Check DC Voltage Measurement Accuracy</i> on page 4-45.

This procedure checks the optical-to-electrical noise. The check is made with vertical offset set to zero and no optical signal input (dust cap installed on the OPTICAL INPUT).

1. Install the test hookup and preset the instrument controls (See Figure 4-42):

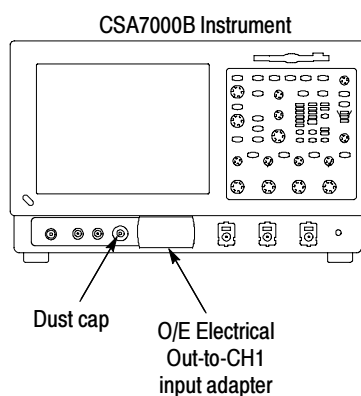


Figure 4-42: Initial test hookup

- a. Install the fibre-optic dust cap onto the OPTICAL INPUT connector of the O/E converter.
- b. Install the O/E Electrical Out-to-CH 1 Input adapter on the CSA Instrument.
- c. Press the **DEFAULT SETUP** button.
- d. Select **CH1** for the waveform source.
- e. From the tool bar, touch the **Vert** button and select the **CH1** tab.
- f. Set the **Scale** to **50 μ W/div**
- g. Set **Position** to 0.0div.
- h. Set Channel **Offset** to 0.0W.
- i. From the tool bar, touch the **Horiz** button and select the **Horizontal** tab.
- j. Set the **Scale** to 20 ns/div.

- k. Set the Record Length to **4000**.
 - l. From the tool bar, touch the **Meas** button and select the **Histo** tab.
 - m. Press the **Mean**, **Std Dev**, and **Statistics** buttons.
 - n. Set the Measurement Statistics to **Mean** and press the **Setup** button.
 - o. Press the **Histogram** button, and set the Histogram Mode to **Vert**, the Display to **On**, and set the Source to Channel **1**.
 - p. Press the **Advanced** button.
 - q. Press the **Close** button.
2. Follow this procedure to make the Optical Noise checks:
- a. From the tool bar, touch **Vert** and select the **Chan 1** tab.
 - b. Select a calibrated Wavelength.
 - c. Press the **Close** button.
 - d. Change the Horizontal Scale and then return the Scale to 20 ns/div.
 - e. *Confirm Optical Noise is within limits:* After a few seconds, note the Mean and the Std Dev results displayed for the selected wavelength. The mean of the histogram is the dark level value and the standard deviation of the histogram is the maximum RMS optical noise value. Refer to Table 4-14. Enter the value in the test record.
 - f. Repeat steps a through e for each available wavelength.

Table 4-14: Optical noise limits

Instrument	Maximum optical noise, std
CSA7404B	
1550 and 1310 nm	4.35 μ W
850 nm	5.35 μ W
780 nm	5.85 μ W

3. *Disconnect the hookup:* Disconnect the adapters from the inputs and outputs.

Check Optical-to-Electrical Gain

Equipment required	Two 62.5 μm multimode fiber-optic cables (Item 34) SMA cable (Item 21) CW laser source (Item 29) Multimode optical attenuator (Item 30) Optical power meter (Item 31) O/E-to-SMA adapter (Item 33) TCA-SMA adapter (item 19)
Prerequisites	See page 4-17. Also, the instrument must have passed <i>Check DC Voltage Measurement Accuracy</i> on page 4-45.

1. Install the test hookup and preset the instrument controls:

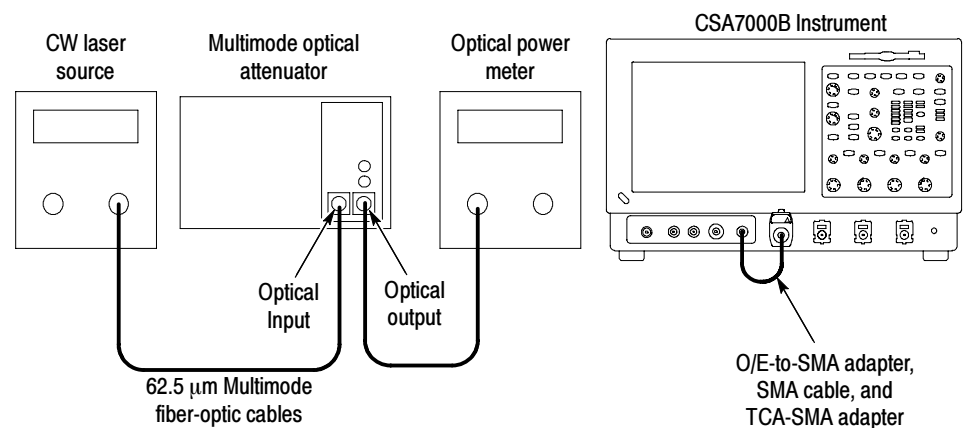


Figure 4-43: Initial test hookup

a. Hook up test-signal source 1 (See Figure 4-43):

- Connect the O/E Electrical Output to the CH 1 Input using an O/E-to-SMA adapter, SMA cable, and TCA-SMA adapter.
- Connect the output of a CW laser source through a multimode optical-fiber cable to the optical input of a multimode optical attenuator.
- Connect the output of the optical attenuator to the input of the optical power meter.
- Set the CW laser source to 780 nm.
- Set the multimode optical attenuator for 0.1 mW (-10 dBm) into the optical power meter.

- Move the optical fiber from the optical power meter to the optical input of the CSA Instrument.
- b. *Initialize the instrument:* Press the **DEFAULT SETUP** button.
- c. *Modify the initialized front-panel control settings:*
- From the tool bar, touch **Meas** and select the **Ampl** tab.
 - Touch **Mean**.
 - From the tool bar, touch **Horiz** and select the **Acquisition** tab.
 - Touch **Average** and set the number of averages to **64**.
 - Touch the **Close** button.
 - Set the Vertical **SCALE** to 20 mV per division.
 - Set the Horizontal **SCALE** to 200 μ s.

Table 4-15: O/E gain

Wavelength setting	Vertical scale setting	Attenuator output setting	Accuracy limits
780 nm	20 mV	0.1 mW (-10 dBm)	≥ 27 mV
850 nm	20 mV	0.1 mW (-10 dBm)	≥ 33 mV
1310 nm	50 mV	0.1 mW (-10 dBm)	≥ 64 mV
1550 nm	50 mV	0.1 mW (-10 dBm)	≥ 64 mV

2. *Confirm O/E Gain is within limits:* Do the following substeps — test the first wavelength setting in Table 4-15 first, skipping substep a since 780 nm is already selected from step 1.
- a. Select and unchecked wavelength from Table 4-15.
- Move the optical fiber from optical input of the the CSA Instrument to the optical power meter.
 - Set the CW laser source to wavelength not yet checked from Table 4-15.
 - Set the Vertical **SCALE** to the setting in Table 4-15 for the selected wavelength.
 - Set the multimode optical attenuator for 0.1 mW out of the optical power meter.

- Move the optical fiber from the optical power meter to the optical input of the CSA Instrument.
 - b. CHECK that the **CH 1 Mean** readout is within the limits listed for the current wavelength setting in the table. Record the mean on the test record.
 - c. Repeat substeps 2.a. and 2.b. until all wavelengths listed in Table 4-15 have been tested.
- 3. *Disconnect the hookup:* Disconnect the cables and adapters from the inputs and outputs.

Check Optical-to-Electrical System Bandwidth

Before performing the checks for minimum optical bandwidth, you need to have an understanding of what optical bandwidth is and how it is measured.

Traditionally, the bandwidth of a device or system is defined as the frequency at which the power out of the same device or system is one half as compared with a frequency near DC. In the voltage domain, the power dissipated into a resistive load (for example, a 50 Ω termination of a sampler) is the V_{RMS}^2/R where V_{RMS} is the RMS of the voltage swing seen at the resistive load, and R is the resistance value. A logarithmic scale using decibels is typically used to describe a frequency dependent response of a system.

A value expressed in terms of a decibel relative to a reference is defined as:

$$dB = 10 \times \log \left(\frac{value}{reference} \right)$$

For electrical bandwidths, the power ratio is used so:

$$dB = 10 \times \log \left(\frac{Power_f}{Power_{DC}} \right)$$

when

$$\frac{Power_f}{Power_{DC}} = \frac{1}{2}$$

$$10 \times \log \left(\frac{1}{2} \right) = -3 \text{ dB}$$

In terms of voltage, and resistance, the bandwidth is expressed as:

$$-3 \text{ dB} = 10 \times \log \left(\frac{\frac{V_f^2}{R}}{\frac{V_{DC}^2}{R}} \right)$$

where V_f is the RMS of the voltage swing response at the bandwidth frequency and V_{DC} is the RMS voltage swing response at a frequency approaching DC. Further math yields that $V_f = 0.707 \times V_{DC}$. The expression is simplified by the cancellation of the R and the movement of the squared term inside the log expression to a multiple outside the log expression:

$$10 \times \log \left(\frac{\frac{V_f^2}{R}}{\frac{V_{DC}^2}{R}} \right) = 2 \times 10 \times \log \left(\frac{V_f}{V_{DC}} \right) = 20 \times \log \left(\frac{V_f}{V_{DC}} \right)$$

therefore at

$$-3 \text{ dB} \frac{V_f}{V_{DC}} = 0.707$$

In some instances, the vertical units displayed for an optical signal are not in voltage, but are in watts, which is a unit of power. The O/E converter outputs a voltage swing whose amplitude is linearly dependent on the incoming optical power swing. In this condition the voltage applied at the electrical sampler already represents Optical Power in its linear form (as opposed to having to square the voltage and divide by R). For the O/E converter, then, the bandwidth where the displayed optical power is one half that approaching DC is:

$$dB = 10 \times \log \left(\frac{Power_f}{Power_{DC}} \right) = -3 \text{ dB}$$

The V_f in such a system is one half (0.5) the V_{DC} as opposed to 0.707. The optical bandwidth, therefore, corresponds to the traditional electrical bandwidth at -6 dB. During testing of O/E converter via impulse testing, the resulting impulse waveform is converted to frequency via Fourier transform, and the bandwidth is defined as:

$$-3 \text{ dB} = 10 \times \log \left(\frac{\text{vertical swing @ frequency}}{\text{vertical swing @ DC}} \right)$$

This definition is used for bandwidth settings.

During reference receiver curve calculation, however, the definition is changed to match the industry standard definition, which was authored assuming electrical bandwidths where:

$$-3 \text{ dB} = 20 \times \log \left(\frac{\text{vertical swing @ frequency}}{\text{vertical swing @ DC}} \right)$$

This definition is used for reference receiver settings.

This procedure checks the minimum optical bandwidth of the instrument.

NOTE. To optimize performance, make sure that all connections are clean and secure and that all components of the system are in good condition. Optical fiber can gradually degrade the system performance as it is repeatedly flexed over time.

Equipment required	Optical impulser (item 28) Tektronix OA5022 variable optical attenuator (item 30) Multimode fiber-optic cable, 2 m, FC to FC connectors (item 34) Optical attenuator, 10 dB, FC-FC, female-male connectors (item 35) O/E Electrical Out-to-CH 1 Input adapter (Item 32)
Prerequisites	See page 4-17

Before performing this procedure, be sure you have completed the Optical Noise procedure on page 4-127.

Setup Install the test hookup and preset the controls:

1. Install the test hookup as shown in Figure 4-44.
2. Start with about 30 dB of attenuation on the variable attenuator.

NOTE. To avoid dispersing the narrow optical impulse signal, keep all fiber lengths as short as possible. Lengths that are 2 to 3 meters long are acceptable.

3. *Initialize the instrument:* Press the **DEFAULT SETUP** button.
4. From the tool bar, touch **Horiz** and select the Acquisition tab.
5. Select the **Average** acquisition mode. Set the number of averages to **64**. Touch the **Equivalent Time ET** button.

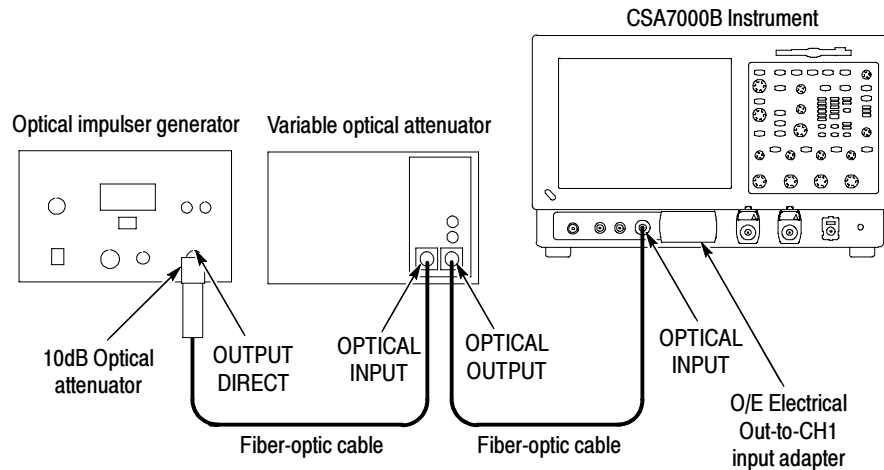


Figure 4-44: Optical bandwidth hookup

6. Select the Horizontal tab, do the following;
 - a. Set the **Scale** to **2.5 ns/div**. (This setting will make it easier to initially locate the optical pulse later in the procedure.)
 - b. Set the **Position** to **15.0%**. (This setting will make it easier to locate the first optical pulse later in the procedure.)
 - c. Set the **Rec Length** to **500**. Verify that the sample rate is still set to 20 GS/s.
7. From the tool bar, touch **Vert**, do the the following;
 - a. Set the **Scale** to **20.0 μ W/div**.
 - b. Set **Position** to **-2.0 div**.
 - c. Set the Calibrated Wavelength to **1550 nm**.
8. Press the **PUSH TO SET 50%** button to set the trigger point midway on the rising signal.
9. Decrease the amount of attenuation provided by the optical attenuator until a pulse appears.
10. Adjust the attenuation of the variable optical attenuator until it produces an impulse pulse amplitude of $80 \mu\text{W}_{\text{p-p}}$. See Figure 4-45.

Procedure Follow this procedure to make the optical system bandwidth checks:

Table 4-16: O/E system bandwidth

Instrument	Bandwidth -3 dB (-6 dBm on readout)
CSA7404B	2.4 GHz

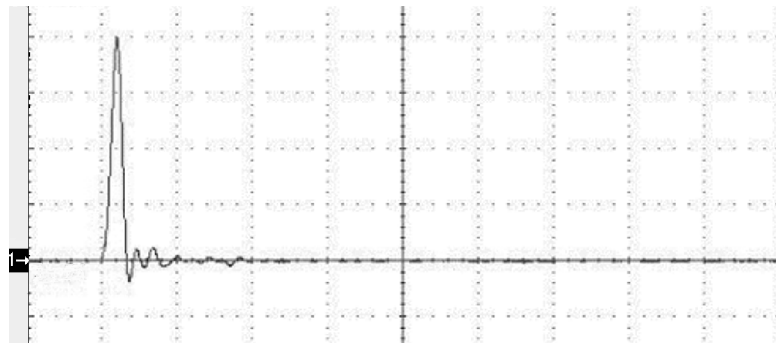


Figure 4-45: Proper positioning of the impulse

11. Turn on a magnitude FFT of the optical impulse [the Impulse Response (or Frequency Response) of the system] (Refer to Figure 4-45):
 - a. From the tool bar, touch **Math** and select the Math 1 tab.
 - b. Press the Spectral Analysis **Setup** button and select the **Create** tab.
 - c. Press the **Magnitude** button and then the **Channel 1** button to create a magnitude FFT math waveform.
 - d. From the **Window Type** drop down list, select **Rectangular**.
 - e. Select the Mag tab.
 - f. Press the Scale **dBm** button.
 - g. Press **Freq Span** and use the general purpose knobs to adjust the frequency span to 5 GHz. Set the Center Frequency to 2.5 GHz (a frequency span of 4 GHz and center frequency of 2 GHz are also acceptable).
 - h. Set the Ref Level to **-5.2 dBm** and press **Apply**.
 - i. From the tool bar, touch **Math** and select the Math 1 tab.
 - j. Set the Math Scale to 3 dBm per division.

12. Observe the desired response characteristics using the vertical paired cursors (see Figure 4-46):
 - a. Press the front-panel **CURSOR** button.
 - b. Press the Cursor Type **Waveform** button.
 - c. Press Cursor1 if it is not already selected.
 - d. Select the Math tab and press **Math 1**.
 - e. Press Cursor2, select the Math tab, and set to **Math1**.
 - f. Press **Close**.

NOTE. Pressing the **FINE** button will change cursor speed.

- g. Position the first cursor at 400 MHz.
- h. Position the second cursor (Δy) to the -6 dBm point (see Table 4-16 and Figure 4-46).

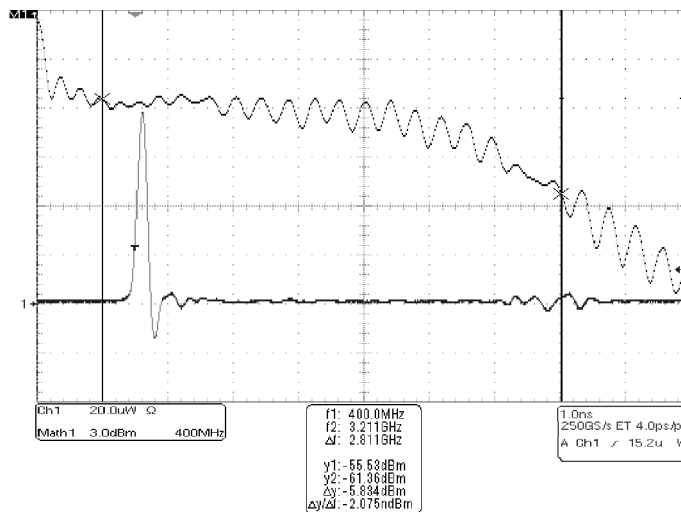


Figure 4-46: Optical impulse response

NOTE. In Figure 4-46, the left cursor is at the DC frequency. The right cursor is at the -3 dB frequency.

- i. The f2 readout should be at or above the limit shown in Table 4-16.

- j. Check that the instrument meets the bandwidth specification at -3 dB (-6 dBm in readout) as listed in Table 4-16. Enter value on test record.

13. *Disconnect the hookup:* Disconnect the cables and adapters from the instruments.

Sine Wave Generator Leveling Procedure

Some procedures in this manual require a sine wave generator to produce the necessary test signals. If you do not have a leveled sine wave generator, the following procedure to level the output amplitude of your sine wave generator.

Equipment required	Sine wave generator (Item 12) Level meter and power sensor (Item 13) Two male N to female BNC adapters (Item 15) One SMA-to-BNC adapter (Item 19) Two precision coaxial cables (Item 4)
Prerequisites	See page 4-17

1. *Install the test hookup:* Connect the equipment as shown in Figure 4-47 (start with the sine wave generator connected to the instrument).
2. *Set the Generator:*
 - Set the sine wave generator to a reference frequency of 10 MHz.
 - Adjust the sine wave generator amplitude to the required number of divisions as measured by the instrument.

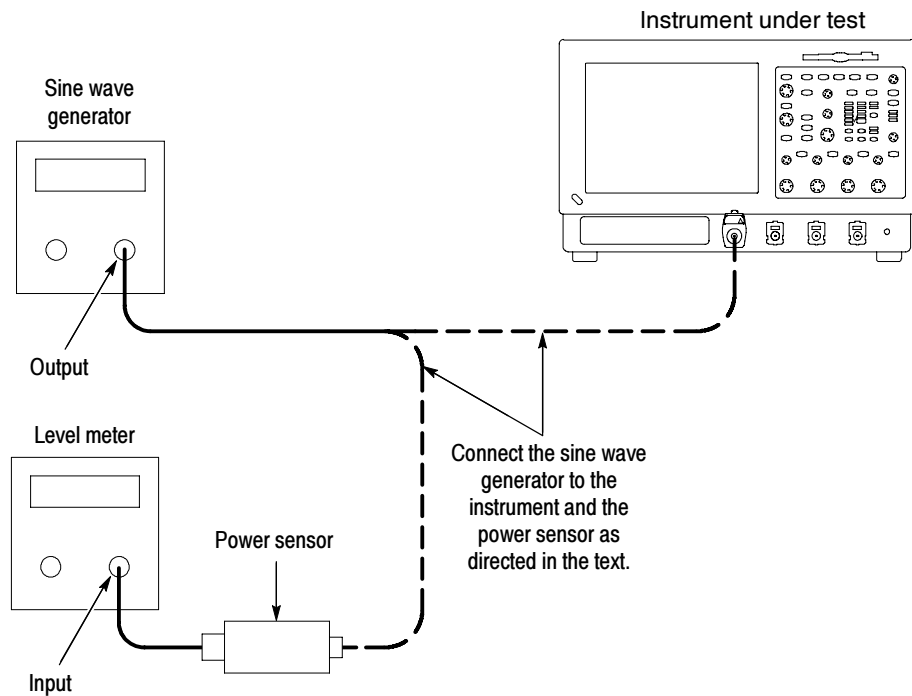


Figure 4-47: Equipment setup for maximum amplitude

3. Record the reference level:

- Disconnect the sine wave generator from the instrument.
- Connect the sine wave generator to the power sensor.
- Note the level meter reading.

4. Set the generator to the new frequency and reference level:

- Change the sine wave generator to the desired new frequency.
- Input the correction factor and/or the new frequency into the level meter.
- Adjust the sine wave generator amplitude until the level meter again reads the value noted in step 3. The signal amplitude is now correctly set for the new frequency.
- Disconnect the sine wave generator from the power sensor.
- Connect the sine wave generator to the instrument.



Adjustment Procedures

Adjustment Procedures

This chapter contains adjustment information for your instrument.

Adjustment Interval

The voltage and timing references inside the instrument are very stable over time and should not need routine adjustment.

If the instrument fails performance tests (refer to *Performance Tests* on page 4-17) then adjustment may be required.

If periodic calibration is one of your requirements, a general rule is to verify performance and make adjustments (only if needed) every 2000 hours of operation or once a year if the instrument is used infrequently.

Adjustment After Repair

After removal and replacement of a module due to electrical failure, you must either perform an adjustment or not, depending on the module replaced. Modules listed as customer replaceable have adjustment listed if required. Modules not listed as customer replaceable must be installed and adjusted by Tektronix. See Table 6-7 on page 6-76.

Adjustment

If your instrument requires adjustment, adjustment must be performed by a Tektronix Service Center. See *Contacting Tektronix* on the Copyright page of this manual for information on contacting Tektronix Service Support.



Maintenance

Maintenance

This section contains the information needed to do periodic and corrective maintenance on the instrument. The following subsections are included:

- Preventing ESD — General information on preventing damage by electrostatic discharge.
- *Inspection and Cleaning* — Information and procedures for inspecting the instrument and cleaning its external and internal modules.
- *Removal and Installation Procedures* — Procedures for the removal of defective modules and replacement of new or repaired modules. Also included is a procedure for disassembly of the instrument for cleaning.
- *Troubleshooting* — Information for isolating and troubleshooting failed modules. Included are instructions for operating the instrument diagnostic routines and troubleshooting trees. Most of the trees make use of the internal diagnostic routines to speed fault isolation to a module.
- Repackaging Instructions — Information on returning an instrument for service.

Preventing ESD

Before servicing this product, read the *Safety Summary* and *Introduction* at the front of the manual and the ESD information below.



CAUTION. *Static discharge can damage any semiconductor component in this instrument.*

When performing any service which requires internal access to the instrument, adhere to the following precautions to avoid damaging internal modules and their components due to electrostatic discharge (ESD).

1. Minimize handling of static-sensitive circuit boards and components.
2. Transport and store static-sensitive modules in their static protected containers or on a metal rail. Label any package that contains static-sensitive boards.
3. Discharge the static voltage from your body by wearing a grounded antistatic wrist strap while handling these modules. Do service of static-sensitive modules only at a static-free work station.

4. Nothing capable of generating or holding a static charge should be allowed on the work station surface.
5. Handle circuit boards by the edges when possible.
6. Do not slide the circuit boards over any surface.
7. Avoid handling circuit boards in areas that have a floor or work-surface covering capable of generating a static charge.

Inspection and Cleaning

Inspection and Cleaning describes how to inspect for dirt and damage. It also describes how to clean the exterior and interior of the instrument. Inspection and cleaning are done as preventive maintenance. Preventive maintenance, when done regularly, may prevent instrument malfunction and enhance its reliability.

Preventive maintenance consists of visually inspecting and cleaning the instrument and using general care when operating it.

How often to do maintenance depends on the severity of the environment in which the instrument is used. A proper time to perform preventive maintenance is just before instrument adjustment.

General Care

The cabinet helps keep dust out of the instrument and should normally be in place when operating the instrument.

Cleaning Optical Connectors

CSA7000B Series only: Small dust particles and oils can easily contaminate optical connectors and reduce or block the signal. Take care to preserve the integrity of the connectors by keeping them free of contamination.



CAUTION. *To prevent loss of optical power or damage to the optical connectors, keep the connectors clean at all times.*

When cleaning the connectors with a swab, use gentle circular motions. Use only high quality cleaning supplies that are non-abrasive and leave no residue.

To reduce the need for cleaning, immediately replace protective caps on the optical connectors when not in use.

Use the following items to clean optical connectors:

- Clean, dust-free compressed air
- Fiber-optic cleaning swabs

- Pure, electronics-grade isopropyl alcohol

NOTE. *If isopropyl alcohol is used, care must be taken to have a truly clean, pure, electronics-grade isopropyl alcohol source. Bottles of isopropyl alcohol can become contaminated after several uses; it can then leave a residue on optical connectors after drying.*

Cleaning kits for optical connectors (such as the Tektronix Optical Connector Cleaner kit number 020-2357-00) are available from a number of suppliers.

To clean optical connectors, follow these steps:

1. Remove the UCI adapter.
2. Hold the can of compressed air upright and spray the can into the air to purge any propellant.
3. Spray the clean compressed air on the connectors to remove any loose particles or moisture.
4. Moisten a clean optical swab with isopropyl alcohol, and then lightly swab the surfaces of the connectors.
5. Spray the clean compressed air on the connectors again to remove any loose particles or isopropyl alcohol.
6. Blow clean compressed air through the UCI adapter before replacing it.



WARNING. *Before performing any procedure that follows, power off the instrument and disconnect it from line voltage.*

Interior Cleaning

Use a dry, low-velocity stream of air to clean the interior of the chassis. Use a soft-bristle, non-static-producing brush for cleaning around components. If you must use a liquid for minor interior cleaning, use a 75% isopropyl alcohol solution and rinse with deionized water.



WARNING. Before performing any procedure that follows, power down the instrument and disconnect it from line voltage.

Exterior Cleaning

Clean the exterior surfaces of the chassis with a dry lint-free cloth or a soft-bristle brush. If any dirt remains, use a cloth or swab dipped in a 75% isopropyl alcohol solution. Use a swab to clean narrow spaces around controls and connectors. Do not use abrasive compounds on any part of the chassis that may damage the chassis.

Clean the On/Standby switch using a dampened cleaning towel. Do not spray or wet the switch directly.



CAUTION. Avoid the use of chemical cleaning agents which might damage the plastics used in this instrument. Use only deionized water when cleaning the menu buttons or front-panel buttons. Use a 75% isopropyl alcohol solution as a cleaner and rinse with deionized water. Before using any other type of cleaner, consult your Tektronix Service Center or representative.

Inspection — Exterior. Inspect the outside of the instrument for damage, wear, and missing parts, using Table 6-1 as a guide. Immediately repair defects that could cause personal injury or lead to further damage to the instrument.

Table 6-1: External inspection check list

Item	Inspect for	Repair action
Cabinet, front panel, and cover	Cracks, scratches, deformations, damaged hardware	Repair or replace defective module
Front-panel knobs	Missing, damaged, or loose knobs	Repair or replace missing or defective knobs
Connectors	Broken shells, cracked insulation, and deformed contacts. Dirt in connectors	Repair or replace defective modules. Clear or wash out dirt
Carrying handle, and cabinet feet	Correct operation	Repair or replace defective module
Accessories	Missing items or parts of items, bent pins, broken or frayed cables, and damaged connectors	Repair or replace damaged or missing items, frayed cables, and defective modules

Flat Panel Display Cleaning

The display is a soft plastic display and must be treated with care during cleaning.



CAUTION. *Improper cleaning agents or methods can damage the flat panel display.*

Avoid using abrasive cleaners or commercial glass cleaners to clean the display surface.

Avoid spraying liquids directly on the display surface.

Avoid scrubbing the display with excessive force.

Clean the flat panel display surface by gently rubbing the display with a clean-room wipe (such as Wypall Medium Duty Wipes, #05701, available from Kimberly-Clark Corporation).

If the display is very dirty, moisten the wipe with distilled water or a 75% isopropyl alcohol solution and gently rub the display surface. Avoid using excess force or you may damage the plastic display surface.



CAUTION. *To prevent getting moisture inside the instrument during external cleaning, use only enough liquid to dampen the cloth or applicator.*

Inspection — Interior. To access the inside of the instrument for inspection and cleaning, refer to the *Removal and Installation Procedures* in this section.

Inspect the internal portions of the instrument for damage and wear, using Table 6-2 as a guide. Defects found should be repaired immediately.

If any circuit board is repaired or replaced, check Table 6-2 in Section 5 to see if it is necessary to adjust the instrument.



CAUTION. *To prevent damage from electrical arcing, ensure that circuit boards and components are dry before applying power to the instrument.*

Table 6-2: Internal inspection check list

Item	Inspect for	Repair action
Circuit boards	Loose, broken, or corroded solder connections. Burned circuit boards. Burned, broken, or cracked circuit-run plating.	Remove and replace damaged circuit board.
Resistors	Burned, cracked, broken, blistered condition.	Remove and replace damaged circuit board.
Solder connections	Cold solder or rosin joints.	Resolder joint and clean with isopropyl alcohol.

Table 6-2: Internal inspection check list (Cont.)

Item	Inspect for	Repair action
Capacitors	Damaged or leaking cases. Corroded solder on leads or terminals.	Remove and replace damaged circuit board.
Semiconductors	Loosely inserted in sockets. Distorted pins.	Firmly seat loose semiconductors. Remove devices that have distorted pins. Carefully straighten pins (as required to fit the socket), using long-nose pliers, and reinsert firmly. Ensure that straightening action does not crack pins, causing them to break off.
Wiring and cables	Loose plugs or connectors. Burned, broken, or frayed wiring.	Firmly seat connectors. Repair or replace modules with defective wires or cables.
Chassis	Dents, deformations, and damaged hardware.	Straighten, repair, or replace defective hardware.

Cleaning Procedure — Interior. To clean the instrument interior, do the following steps:

1. Blow off dust with dry, low-pressure, deionized air (approximately 9 psi).
2. Remove any remaining dust with a lint-free cloth dampened in isopropyl alcohol (75% solution) and rinse with warm deionized water. (A cotton-tipped applicator is useful for cleaning in narrow spaces and on circuit boards.)

STOP. If, after doing steps 1 and 2, a module is clean upon inspection, skip the remaining steps.

3. If steps 1 and 2 do not remove all the dust or dirt, the instrument may be spray washed using a solution of 75% isopropyl alcohol by doing steps 4 through 8.
4. Gain access to the parts to be cleaned by removing easily accessible shields and panels (see *Removal and Installation Procedures*).
5. Spray wash dirty parts with the isopropyl alcohol and wait 60 seconds for the majority of the alcohol to evaporate.
6. Use hot (120 °F to 140 °F) deionized water to thoroughly rinse them.
7. Dry all parts with low-pressure, deionized air.

8. Dry all components and assemblies in an oven or drying compartment using low-temperature (125 °F to 150 °F) circulating air.

Lubrication. There is no periodic lubrication required for this instrument.

Removal and Installation Procedures

This subsection contains procedures for removal and installation of all mechanical and electrical modules.

Preparation



WARNING. Before doing this or any other procedure in this manual, read the Safety Summary found at the beginning of this manual. Also, to prevent possible injury to service personnel or damage to the instrument components, read Installation in Section 2, and Preventing ESD in this section.

This subsection contains the following items:

- This preparatory information that you need to properly do the procedures that follow.
- List of tools required to remove and disassemble all modules.
- Procedures for removal and reinstallation of the electrical and mechanical modules.
- A disassembly procedure for removal of all the major modules from the instrument at one time and for reassembly of those modules into the instrument. Instructions for doing the actual cleaning are found under *Inspection and Cleaning* at the beginning of this section.



WARNING. Before doing any procedure in this subsection, disconnect the power cord from the line voltage source. Failure to do so could cause serious injury or death.

NOTE. Read Equipment Required for a list of the tools needed to remove and install modules in this instrument. See Table 6-3, page 6-10. Read the cleaning procedure before disassembling the instrument for cleaning.

Equipment Required. Most modules in the instrument can be removed with a screwdriver handle mounted with a size T-15, Torx® screwdriver tip. *Use this tool whenever a procedure step instructs you to remove or install a screw unless a different size screwdriver is specified in that step.* All equipment required to remove and reinstall each module is listed in the first step of its procedure.

Table 6-3: Tools required for module removal

Item no.	Name	Description	General tool number
1	Screwdriver handle	Accepts Torx-driver bits	620-440
2	T-10 Torx tip	Used for removing the electrical or optical module chassis. Torx-driver bit for T-10 size screw heads	640-235
3	T-15 Torx tip	Used for removing most instrument screws. Torx-driver bit for T-15 size screw heads	640-247
4	1/8 inch flat-bladed screwdriver	Screwdriver for unlocking cable connectors	Standard tool
5	#0 Phillips screwdriver	Screwdriver for removing small phillips screws, CD, floppy & hard drive	Standard tool
6	Angle-Tip Tweezers	Used to remove front panel knobs	Standard tool
7	3/16 inch open-end wrench	Used to remove the rear panel nut posts	Standard tool
8	5/16 inch open-end wrench	Used to remove the rear panel nut posts	Standard tool
9	MA-800G Soldering Aid	Used to remove the front panel trim	Standard tool

Procedures for External Modules

The following procedures are found here and are listed in order presented.

- Line Fuses and AC Power Cord
- Front Panel Knobs
- Trim (all)
- Bottom cover
- Left and Right covers

Line Fuses and AC power cord connector

1. *Assemble equipment and locate modules to be removed:* Locate the power switch, line fuses, and AC power cord connector in Figure 6-1, page 6-12.
2. The instrument has a built-in soft power-off function that safely removes power from most of the instrument when you press the On/Standby switch.
3. Power off the rear panel power switch before servicing the line fuse or power cord.
4. *Orient the instrument:* Set the instrument so its bottom is down on the work surface and its rear is facing you.
5. *Remove line cord:* Find the line cord on the rear cover. Pull the line cord away to remove from the AC power connector. Reverse procedure to reinstall.
6. *Remove the line fuse:* Find the fuse caps on the rear panel. Now, remove the fuse cap by turning it counterclockwise using a flat-bladed screwdriver, and remove the line fuse. Reverse procedure to reinstall.
7. *Reinstallation:* Do in reverse steps 6 and 5 to reinstall the line cord and then the line fuse.

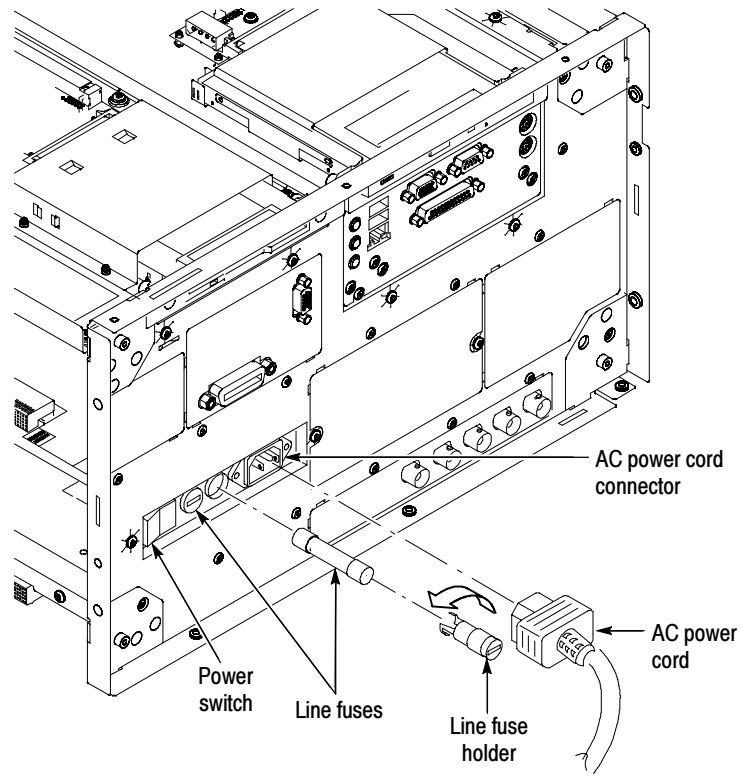


Figure 6- 1: Line fuse and line cord removal

Front-Panel Knobs

1. *Assemble equipment and locate modules to be removed:*
2. *Orient the instrument:* Set the instrument so its bottom is down on the work surface and its front is facing you.
3. *Remove the knob(s):* Grasp any knob you want to remove and pull it straight out from the front panel, removing the knob. See Figure 6-2.
4. *Reinstallation:* To reinstall, align knob to shaft and push it in until it snaps.



CAUTION. *To prevent damage to the encoders located on the circuit board, apply pressure to the encoders while pushing the knob on the shaft.*

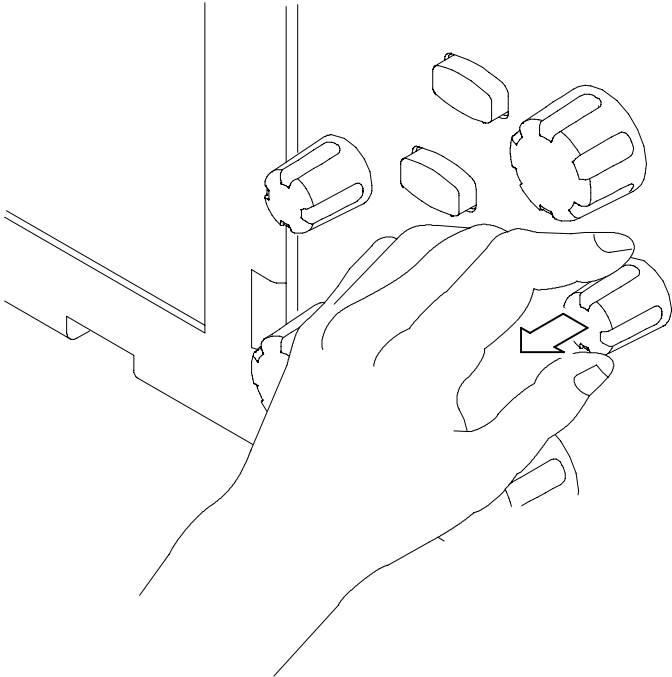


Figure 6-2: Knob removal

Trim and Carrying Handle

1. *Locate module to be removed:* Locate the Trim in the locator diagram. See Figure 6-7, page 6-20.
2. *Remove the carrying handle and the right/left side trim panels:* Use Figure 6-3, page 6-15 as a guide.
 - a. Remove the T-15 Torx screws that secure the handle to the instrument. Remove the handle from the instrument. During reassembly, tighten the screws to 8 to 10 inch pounds of torque.
 - b. Slide the side trim panels towards the rear of the instrument allowing the tabs to clear the cover openings, then pull out to remove the panels from the instrument.
3. *Remove the front panel trim:* Use Figure 6-3, page 6-15, as a guide.
 - a. To prevent the power button from falling out of the front panel trim, place a piece of tape over the button.
 - b. Grasp the trim ring by its top edge and pull toward you to detach the three plastic snaps. (Alternatively, you can use a flat-bladed screwdriver or other small prying tool to help you detach the snaps.)
 - c. Swing the bottom of the ring upward and off the front panel.
4. *Remove the acquisition trim:* Use Figure 6-3, page 6-15 as a guide.
 - a. Remove the three T-15 Torx screws that secure the acquisition trim to the instrument.
 - b. Remove the acquisition trim from the instrument.
5. *Remove the top cover trim:* Use Figure 6-3, page 6-15 as a guide.
 - a. Remove the accessory pouch; it snaps off.
 - b. Remove the four T-15 Torx screws that secure the top cover trim to the instrument. The T-15 Torx screws also secure the snap studs to the top cover.
 - c. Remove the top cover trim from the instrument.
6. *Reinstallation:* Do in reverse steps 2 through 5 to reinstall the appropriate trim.

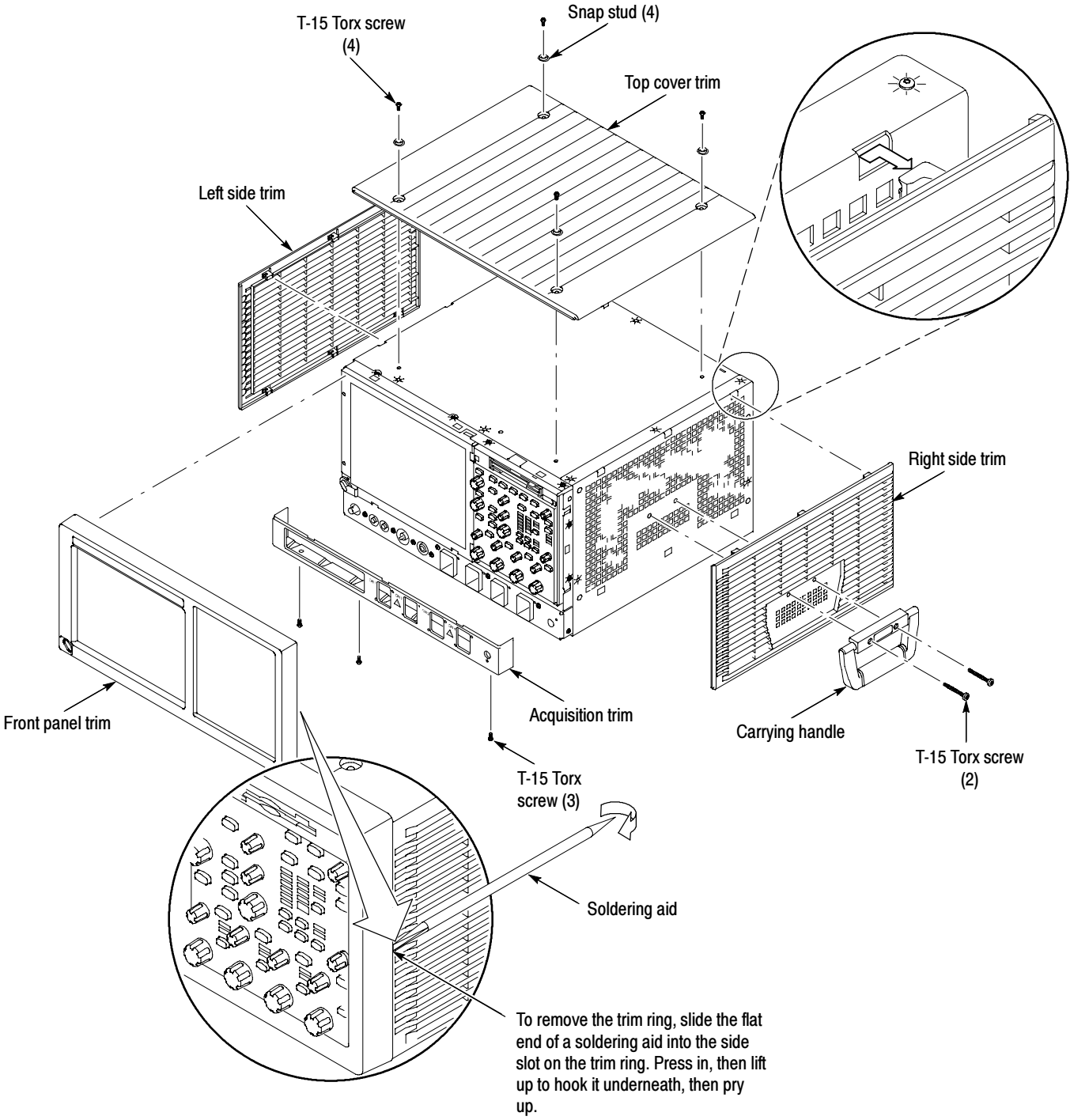


Figure 6-3: Trim removal

Bottom Cover

1. *Remove the bottom cover:* See Figure 6-4, page 6-16.
2. *Orient the instrument:* Set the instrument so its top is down on the work surface and its bottom is facing you.
 - a. Remove the four T-15 Torx screws that secure the bottom cover to the instrument.
 - b. Remove the bottom cover from the instrument.
3. *Reinstallation:* Do in reverse steps a and b to reinstall the bottom cover.

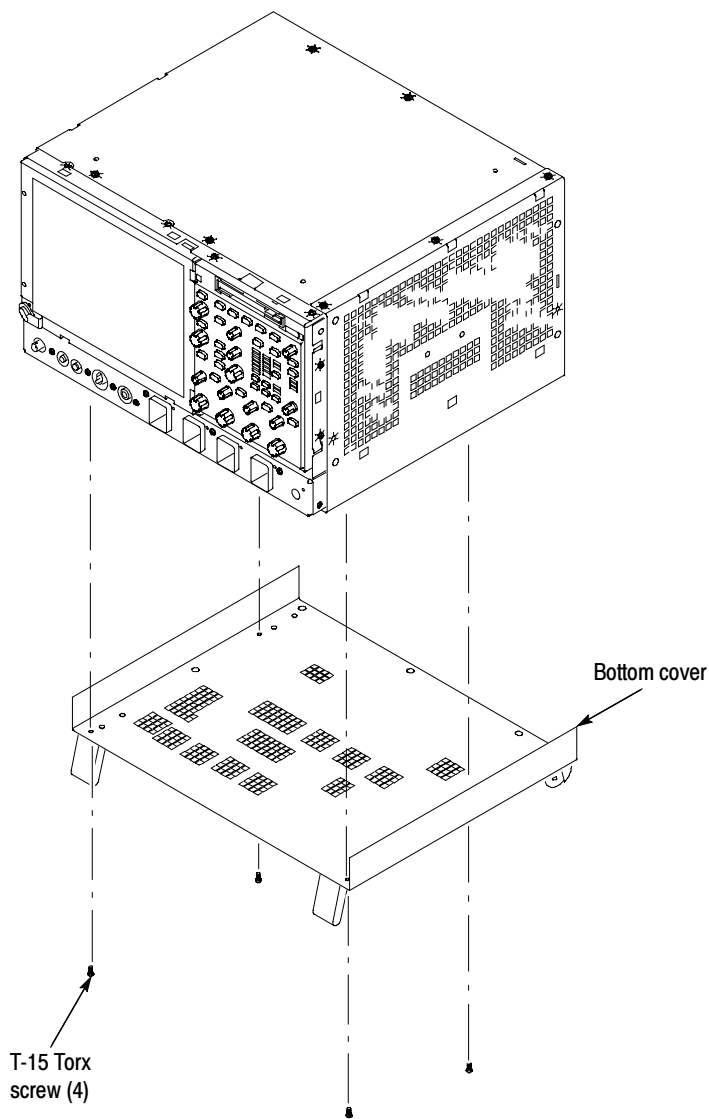


Figure 6-4: Bottom cover removal

- Covers**
1. *Remove the left and right covers:* See Figures 6-5 and 6-6, pages 6-18 and 6-19.
 - Trim (all)
 - Bottom cover
 2. *Orient the instrument:* Set the instrument so its rear is on the work surface and the front of the instrument facing you.

NOTE. *All mounting screw holes are indicated by a star etched around the mounting hole.*

- a. Remove the eleven T-15 Torx screws that secure the covers to the top and both sides of the chassis.
- b. Remove the twelve T-15 Torx screws that secure the covers to the bottom of the chassis.
- c. Pull the bottom-right cover down and slide to the right to remove from the instrument. Pull the top-left cover upward and slide to the left to remove from the instrument.



CAUTION. *Take care not to bind or snag the covers on the instrument internal cabling as you remove or install.*

3. *Reinstallation:* Do in reverse steps a through c to reinstall the cabinet covers. When reinstalling the bottom cover, ensure that the cover key enters the key socket as the cover is put in place. When reinstalling the bottom cover, ensure that all sides of the covers are snug against the instrument before installing the screws.

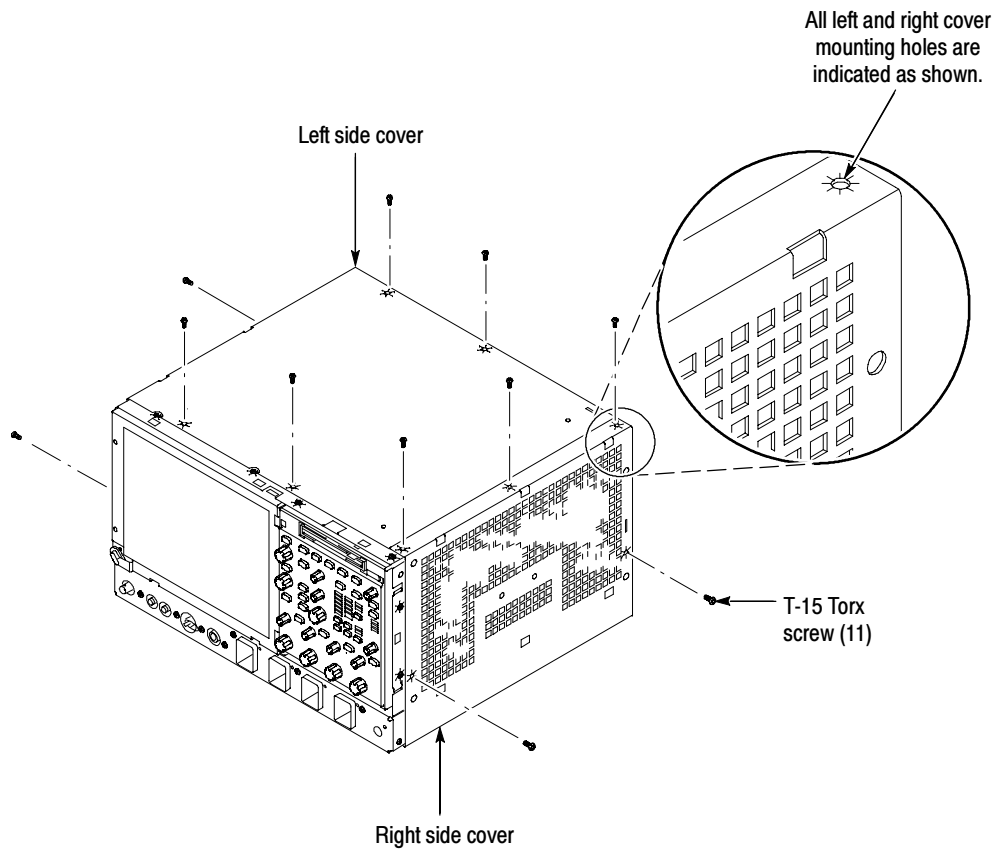


Figure 6- 5: Cover removal

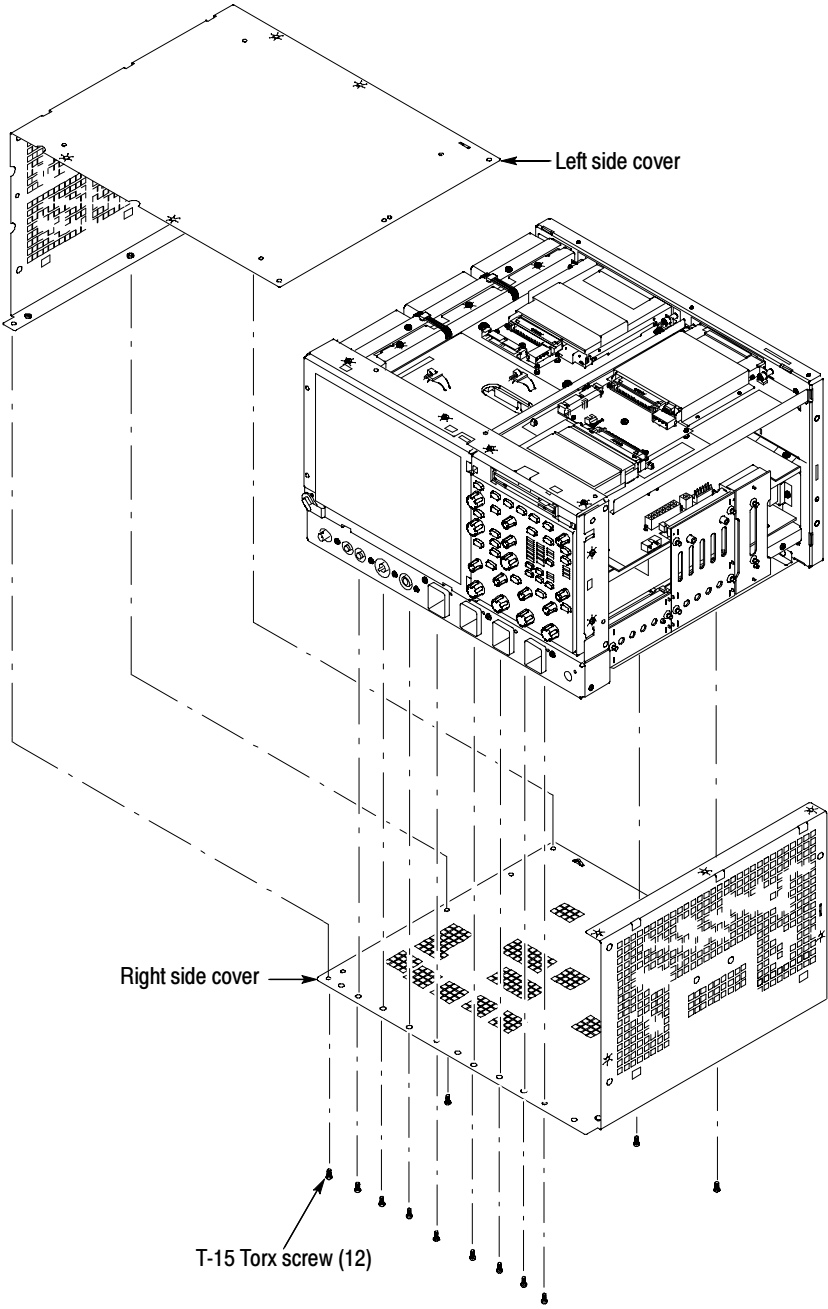


Figure 6-6: Cover removal

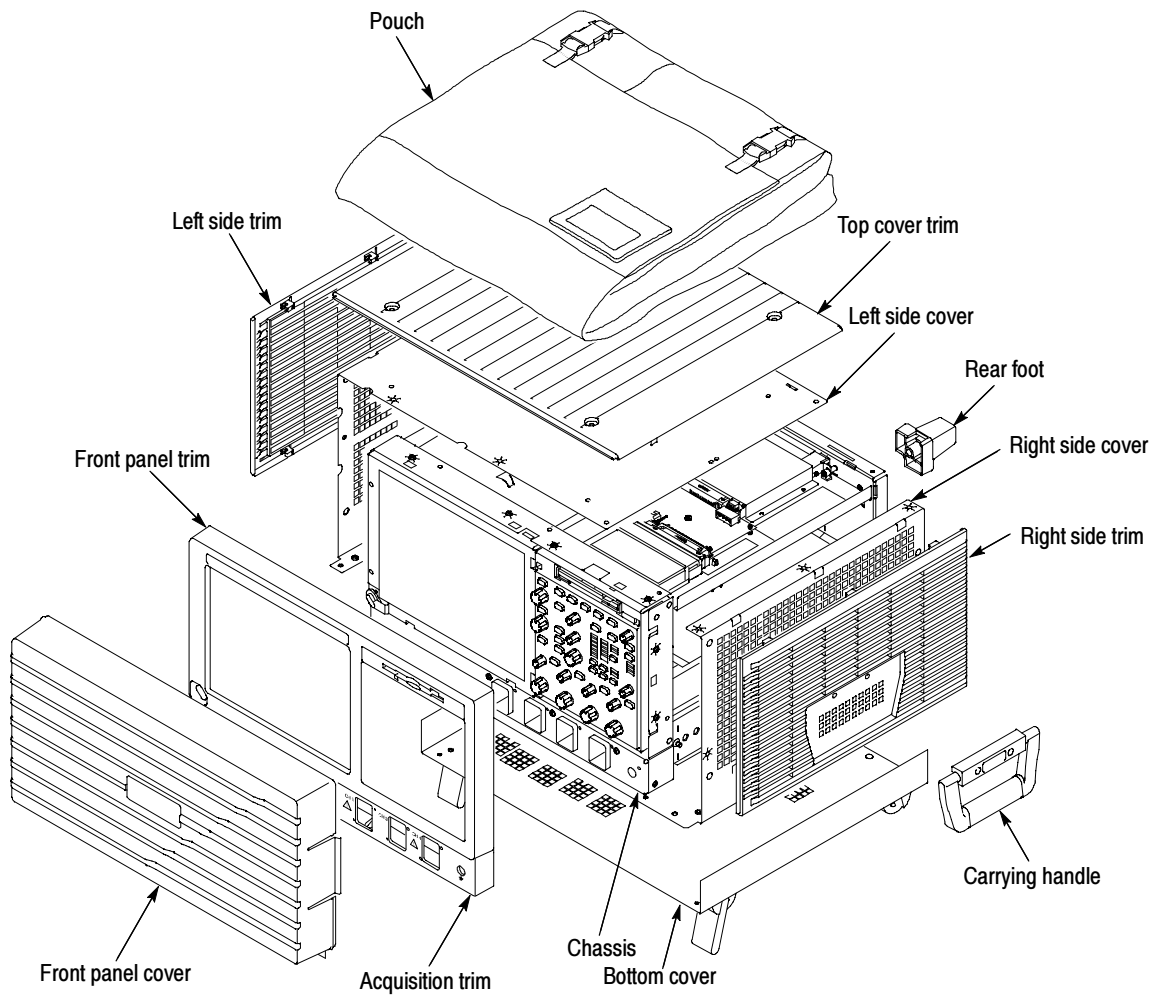


Figure 6-7: External modules

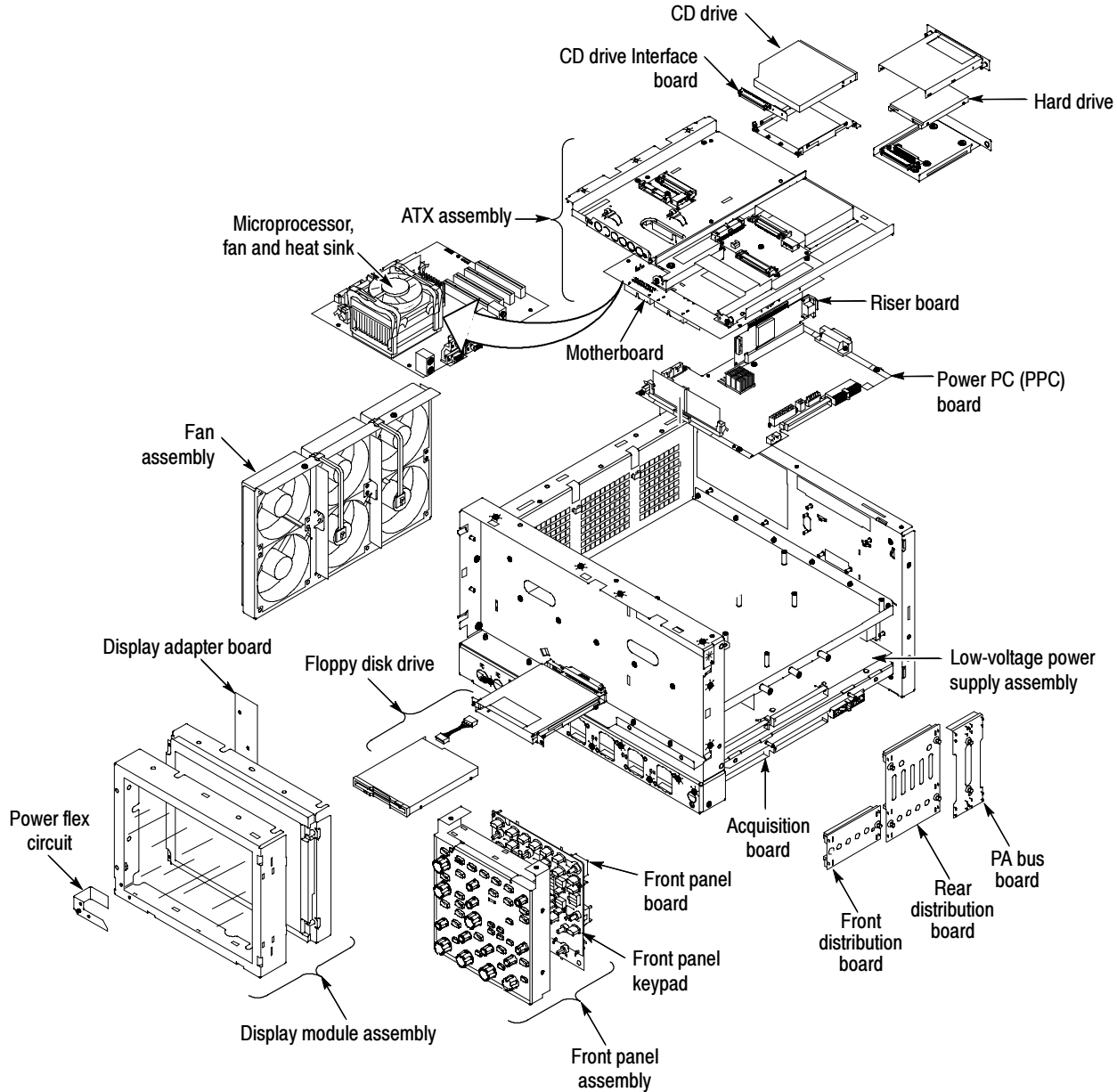


Figure 6-8: Internal modules

Procedures for Modules

You should have completed the *Procedures for External Modules* before doing many of the procedures in this collection. The procedures found here are listed in disassembly order:

- Front Panel assembly
- Front Panel Board
- Front Panel Keypad
- Display assembly
- Display Adapter Board
- On/Standby Switch Flex Circuit
- Floppy Disk Drive
- Hard Disk Drive
- CD Drive
- Front and Rear Power Distribution Boards (PA Bus Board)
- Low-Voltage Power Supply
- Micro ATX Board
- Microprocessor
- Fan assembly
- Power PC Board
- Acquisition Board

Front Panel Assembly

1. *Locate module to be removed:* Locate the Front-panel assembly in Figure 6-9, on page 6-24. Additional modules to be Removed:
 - Trim (Front panel)
 - Floppy Disk Drive, or Front Hard Disk Drive
2. *Remove the Front-Panel assembly:* See Figure 6-9, page 6-24.
3. *Orient the instrument:* Set the instrument so its bottom is down on the work surface and its front panel is facing you.
 - a. Remove the six T-15 Torxdrive screws that secure the Front-Panel assembly to the front chassis.

- b. Grasp the top of Front-Panel assembly and pull forward to allow access to the ribbon-cable connector on the front-panel board.
 - c. Use the $\frac{1}{8}$ inch flat-bladed screwdriver to carefully lift the J1 cable connector lock up to disconnect the J1 flex cable from the display module assembly. See Figure 6-10, page 6-25. Note the pin 1 index mark and the black stripe on the cable for later reassembly.
 - d. Pull the Front-Panel assembly forward and remove from the instrument.
4. *Reinstallation:* Do in reverse steps a through d to reinstall the front-panel assembly.

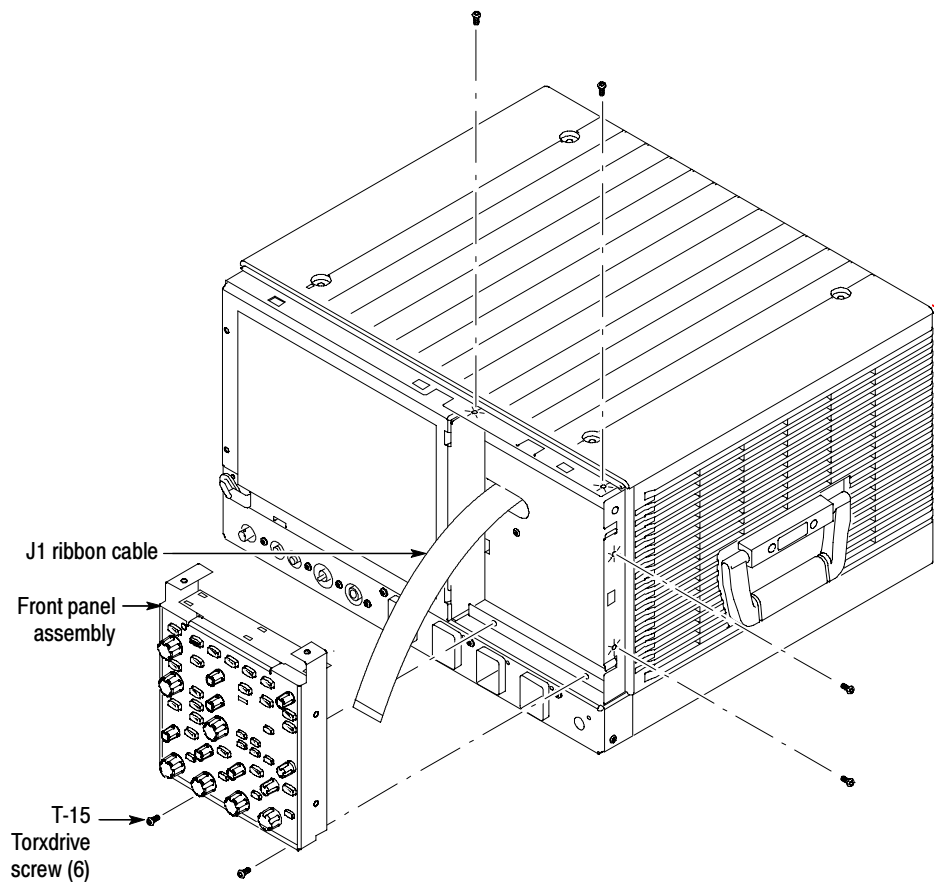


Figure 6-9: Front-panel assembly removal

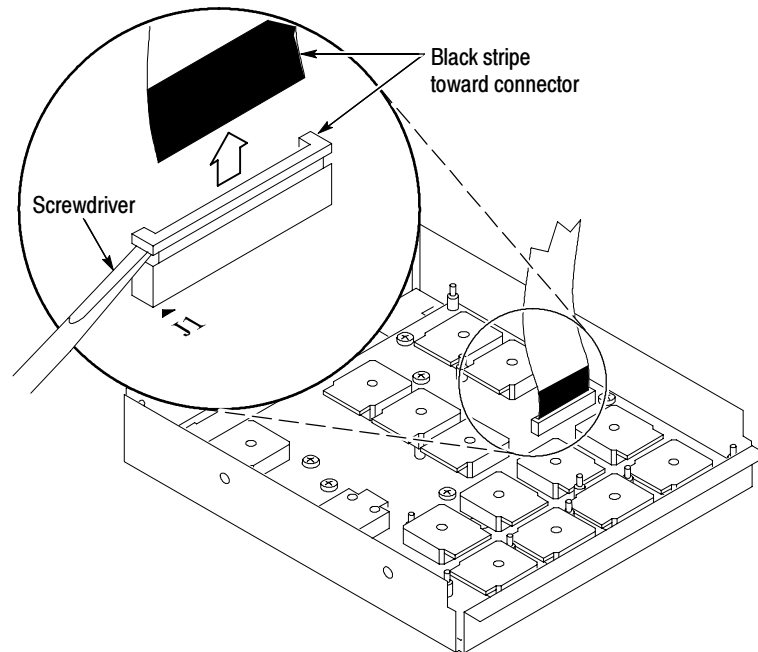


Figure 6-10: J1 flex cable connector removal

Front Panel Board

1. *Locate module to be removed:* Locate the Front Panel assembly Figure 6-9, page 6-24. Additional modules to be Removed:
 - Front Panel Knobs
 - Trim (front panel)
 - Front Panel assembly
2. *Remove the Front Panel board:* See Figure 6-11, page 6-26.
 - a. Remove the eight T-15 Torxdrive screws that secure the Front panel board to the Front panel assembly.
 - b. Remove the board from the assembly.
3. *Reinstallation:* Do in reverse steps a through b to reinstall the front panel board.

Front Panel Keypad

1. *Locate module to be removed:* Locate the Front Panel assembly in Figure 6-9, on page 6-24. Additional modules to be removed:
 - Front Panel Knobs
 - Trim (front panel)
 - Front Panel assembly
 - Front Panel Board
2. *Remove the Front Panel keypad:* See Figure 6-11.
 - a. Pull on each of the keypad support guides to separate the keypad from the Front panel board. Use a pair of tweezers or equivalent tool to pull the twelve keypad support guides.
 - b. Remove the keypad from the front panel board.

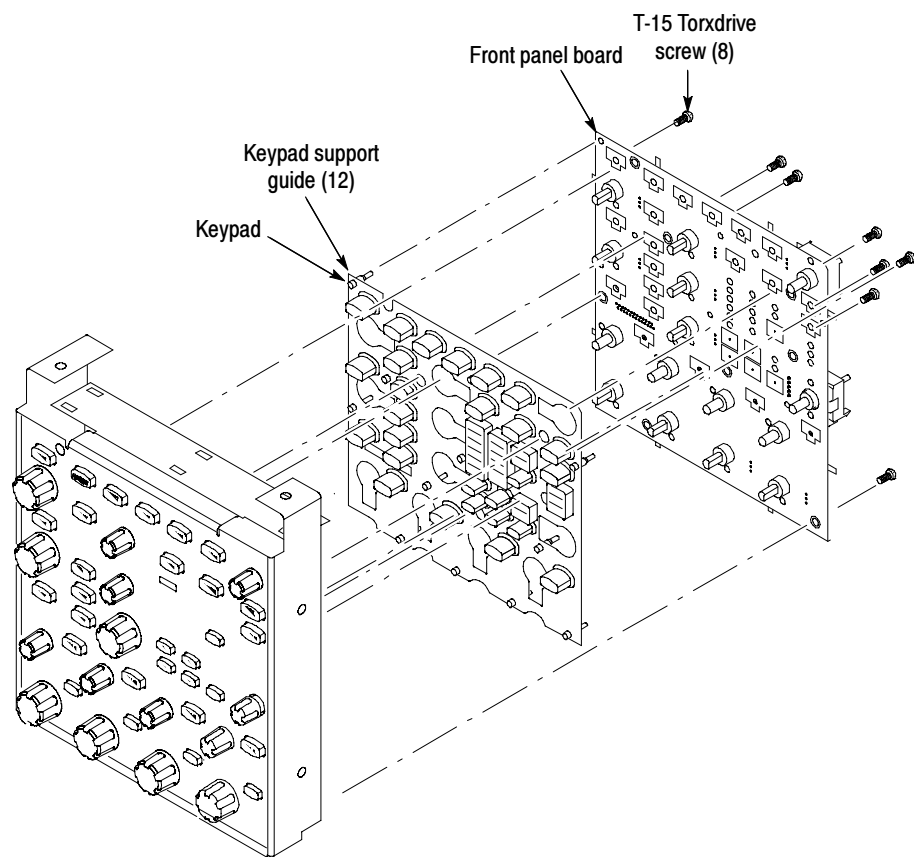


Figure 6- 11: Front panel board and keyboard removal



CAUTION. When removing or installing the keypad, make sure you do not touch the switch contacts with your fingers. The oils in your fingers will degrade or damage the switch contacts. To help prevent damage to the keypad use cotton gloves when removing or installing the keyboard pad.

3. *Reinstallation:* Do in reverse step 2 to reinstall the keypad, front panel board, and the front panel assembly. Then see the following instructions:
 - a. Make sure the keypad is aligned properly on the Front Panel board.
 - b. Make sure the ribbon cable is routed correctly when installing the Front Panel into the chassis.

Display Assembly

1. *Locate module to be removed:* Locate the Display assembly, Figure 6-12, page 6-28. *Additional modules to be Removed:*
 - Trim (front panel & top)
2. *Orient the instrument:* Set the instrument so its bottom is down on the work surface and its front panel is facing you.



CAUTION. To avoid damage to the front panel Standby/On switch assembly, do not set the Display module assembly on a work surface. Sliding the instrument over the edge of the work surface could break off the On/Standby switch assembly.

3. *Remove the Display assembly:* See Figure 6-12, page 6-28.
 - a. Remove the four T-15 Torxdrive screws that secure the display assembly to the chassis.
 - b. Grasp the display assembly at the finger reliefs located at the top-right and bottom-left corners of the display assembly and pull forward far enough to allow access to the flex cable connectors.
 - c. Disconnect the J2 and J3 flex cables from the display assembly. Remove the display module assembly from the instrument. See Figure 6-12, page 6-28.

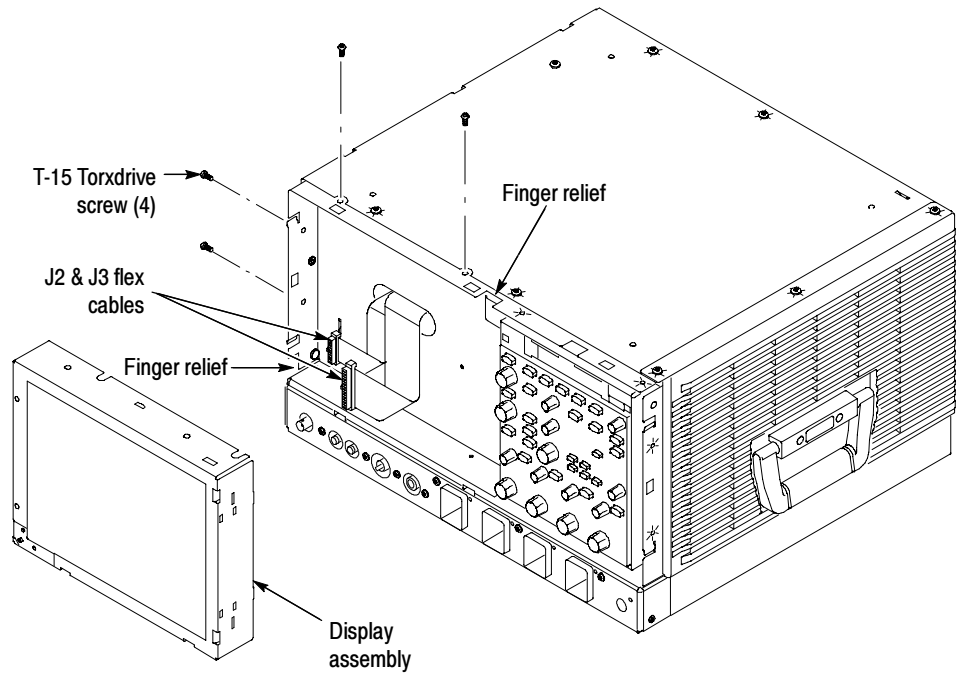


Figure 6- 12: Display removal

4. *Remove the Touch panel from the Display assembly: See figures 6-13 and 6-14, on pages 6-29 and 6-30.*



CAUTION. *To prevent degradation of the display sharpness, this procedure must be performed in a dust free environment. The service technician should wear cotton gloves to prevent finger oils from contaminating any surfaces of the display glass.*

- a. Disconnect cables J1 and J7 from the Display Adapter circuit board.
- b. Separate the assembly by carefully prying the Touch panel (outer) assembly from the Display (inner) assembly. Use fingers in the finger reliefs to pull out on the Touch panel assembly.

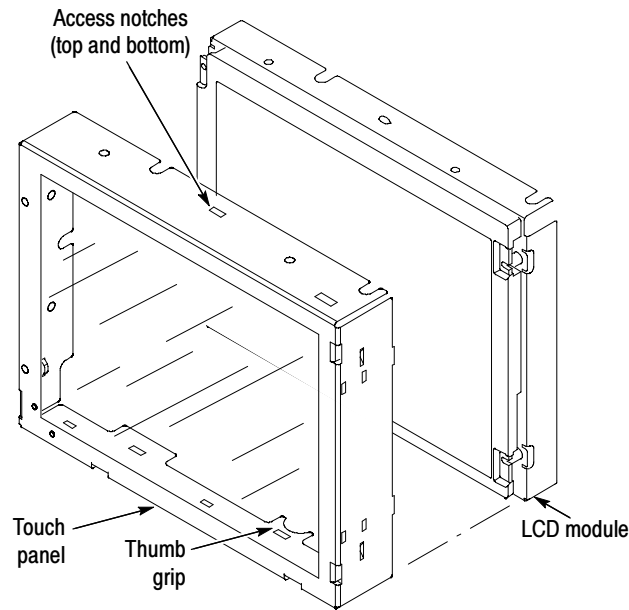


Figure 6-13: Touch panel and LCD assembly removal

5. *Reinstallation:* Do in reverse steps 1 through 5 to reinstall the Display assembly.

Display Adapter Board

1. *Locate module to be removed:* Locate the display adapter board in the locator diagram *Internal Modules*, Figure 6-8, on page 6-21. Additional modules to be Removed:
 - Trim (front panel & top)
 - Display assembly
2. *Remove the Display Adapter Board:* See Figure 6-14, on page 6-30.
 - a. Disconnect cables J2, J3, J4, J5, J6, and J7 from the Display Adapter board.
 - b. Remove the three T-15 Torxdrive screws that secure the Display Adapter circuit board to the Display assembly. Remove the Display Adapter from the assembly.
3. *Reinstallation:* Do in reverse steps a and b to reinstall the board.

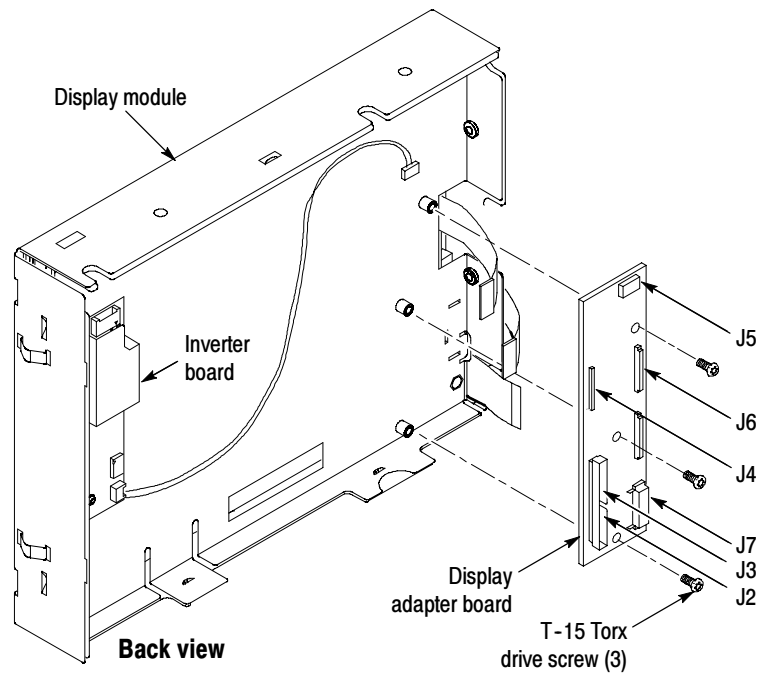


Figure 6- 14: Display adaptor board removal

On/Standby Switch Power Flex Circuit Removal

1. *Locate module to be removed:* Locate the On/Standby Switch power flex circuit in the locator diagram *Internal Modules*, Figure 6-8, page 6-21. Additional modules to be removed:
 - Trim (front panel)
 - Display assembly
2. *Orient the assembly:* Set the display assembly so its back is down on the work surface and its front is facing you.
3. *Remove the On/Standby Switch power flex circuit:* See Figure 6-15, on page 6-31.
 - a. Peel the On/Standby switch power flex circuit away from the front of the display assembly.
 - b. Disconnect the flex circuit from J7 on the Display Adapter circuit board.
 - c. Grasp the flex circuit and pull it out of the Display assembly.
4. *Reinstallation:* Do following procedure to reinstall the On/Standby Switch.
 - a. Remove the protective backing on the power flex circuit.

- b. Slide the connector end of the power flex circuit through the slot in the Display assembly. Make sure the flex circuit connector aligns to J7 on the Display Adapter circuit board.
- c. Align the holes in the power flex circuit to the two index posts on the front side of the Display assembly.
- d. Firmly press the flex circuit to the Display assembly chassis surface.

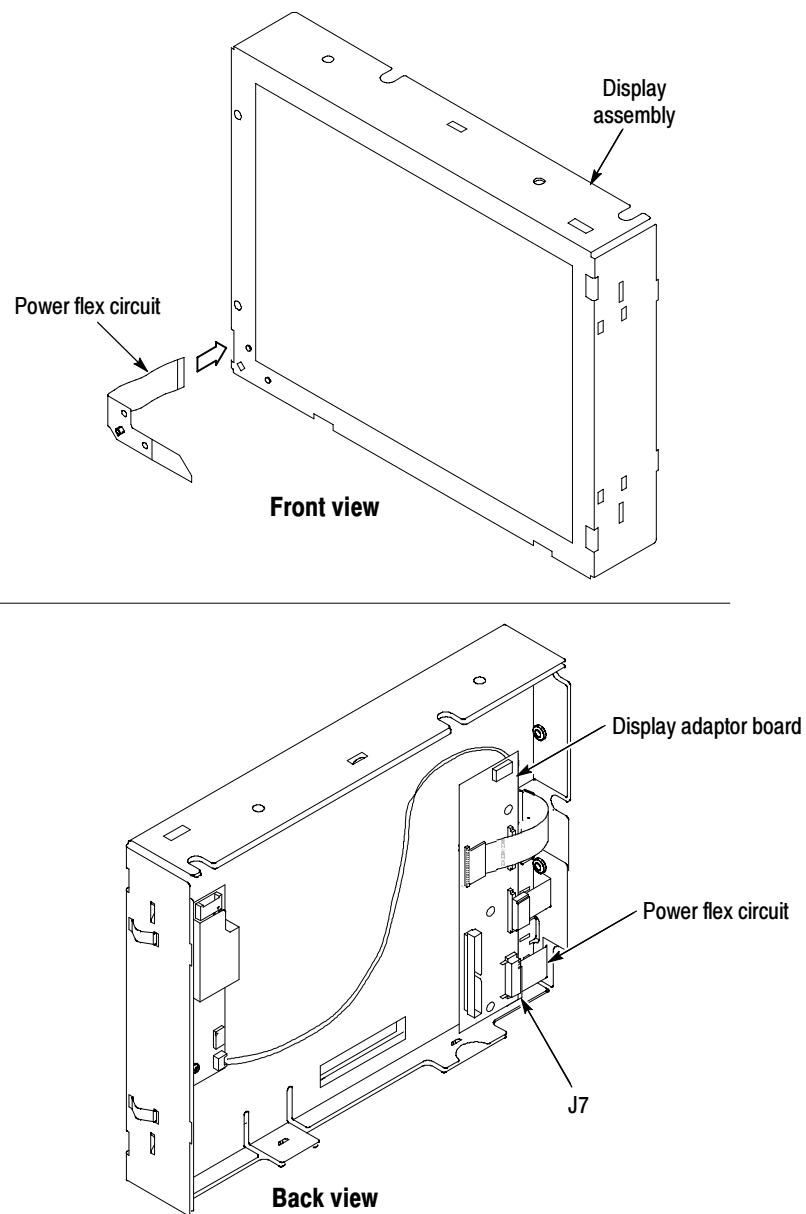


Figure 6-15: Power flex circuit removal

Floppy Disk Drive

1. *Locate modules to be removed:* Locate the Floppy Disk Drive in the locator diagram *Internal Modules*, Figure 6-8, page 6-21. Additional modules to be Removed:
 - Trim (front panel and top)
2. *Remove the floppy disk drive:* Use Figure 6-16 as a guide.
3. *Orient the instrument:* Set the instrument so its bottom is down on the work surface and its front panel is facing you.
 - a. Remove the two T-15 Torxdrive screws that secure the floppy disk drive assembly to the drive tray.
 - b. Remove the floppy drive from the instrument by pulling forward on the assembly tabs until the hand hold hole is exposed. Grasp the hand hold and pull until the floppy drive disconnects from the connector.

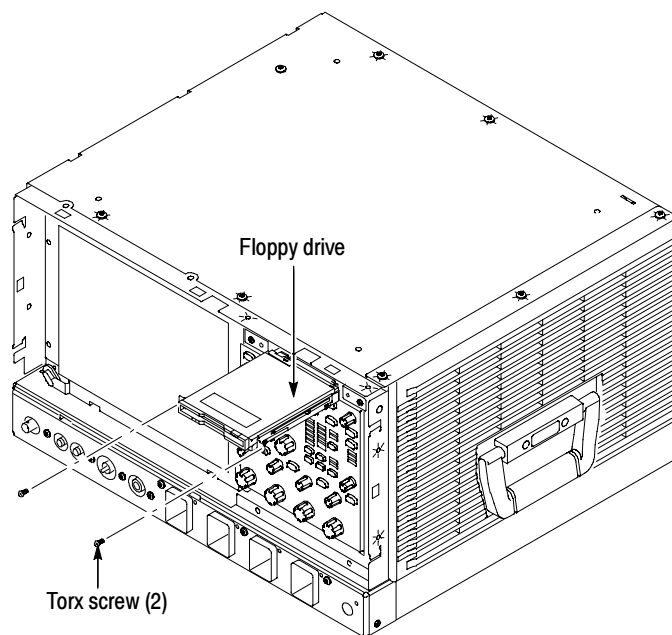


Figure 6- 16: Floppy disk drive assembly removal

4. *Reinstallation:* Do in reverse steps a through b to reinstall the floppy disk drive.
5. *Remove the floppy disk drive from the cartridge:*
 - a. Disconnect the cable at the rear of the cartridge.
 - b. Remove the Phillips screws at the sides of the cartridge.

- c. Carefully pull the drive and cable out the front of the cartridge.

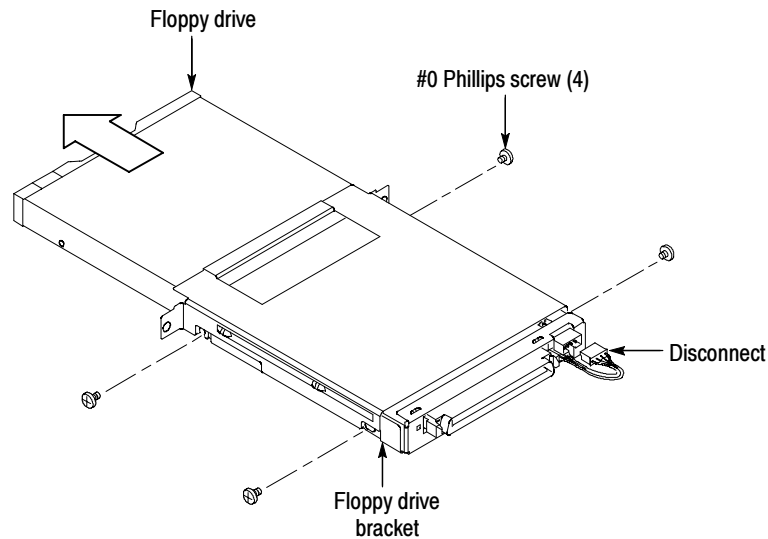


Figure 6-17: Floppy disk drive removal

Hard Disk Drive

1. *Locate module to be removed:* Locate the Hard Disk Drive in the locator diagram *Internal Modules*, Figure 6-8, page 6-21.



CAUTION. Do not remove the replaceable hard disk drive when the instrument is powered on.

The replaceable hard disk drive may be permanently damaged if it is removed while the instrument is powered on.

Always power off the instrument before removing the replaceable hard disk drive.

2. *Orient the instrument:* Set the instrument so its bottom is down on the work surface and its rear panel is facing you.
3. *Remove the hard disk drive:* See Figure 6-18, on page 6-34.
 - a. Verify that the instrument is powered down.
 - b. Loosen the thumb screws that secure the drive to the drive tray.
 - c. Grasp the hard disk drive assembly by the thumb screws and pull until the handle is exposed. Grasp the handle and pull the drive out of the instrument.
4. *Reinstallation:* Do in reverse step 3 to reinstall the hard disk drive assembly.

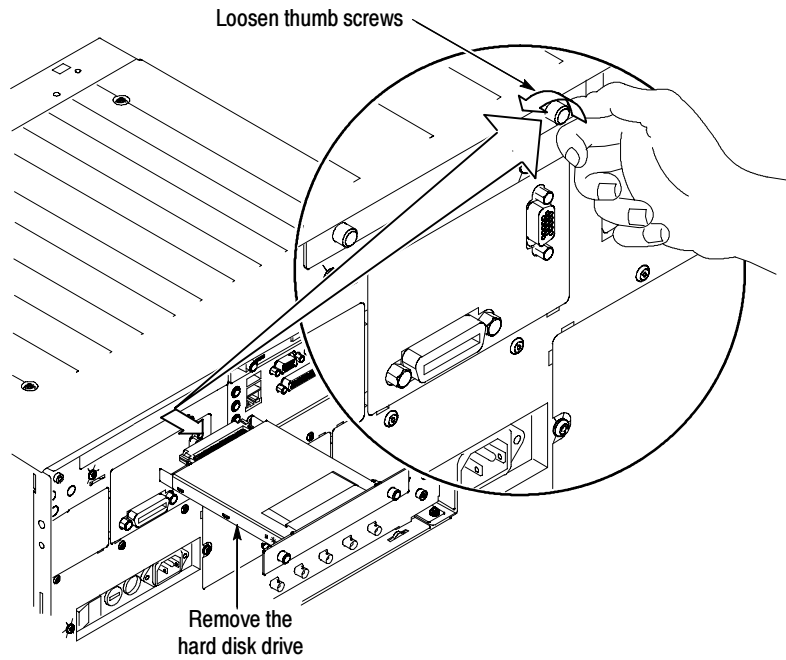


Figure 6- 18: Hard disk drive removal

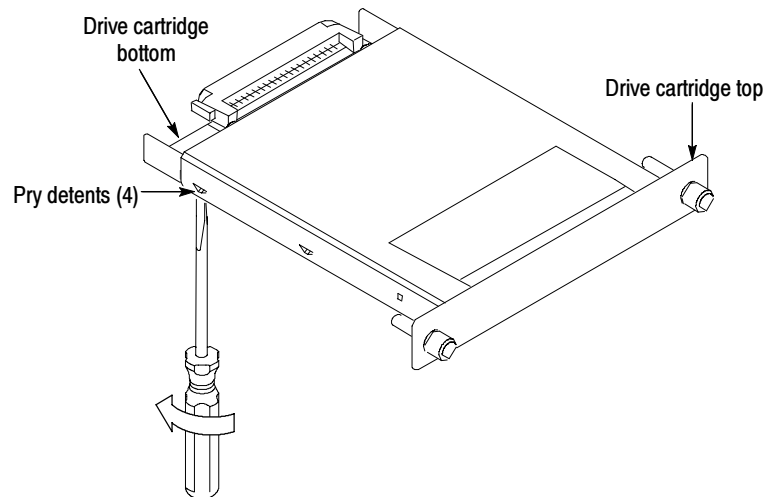


Figure 6- 19: Separating the halves of the drive cartridge

5. *Remove the hard disk drive from the cartridge:* See Figure 6-20, on page 6-35.
 - a. Separate the two halves of the drive cartridge. Carefully pry the detents on the cartridge cover above the slot in the bottom of the cartridge (insert the blade of a small flat-bladed screwdriver and twist). Remove the top of the cartridge.
 - b. Remove the four #0 Phillips screws that fasten the hard-disk drive to the drive assembly.
 - c. Carefully remove the hard disk drive from the cartridge by pulling forward on the drive, removing the drive from the socket.

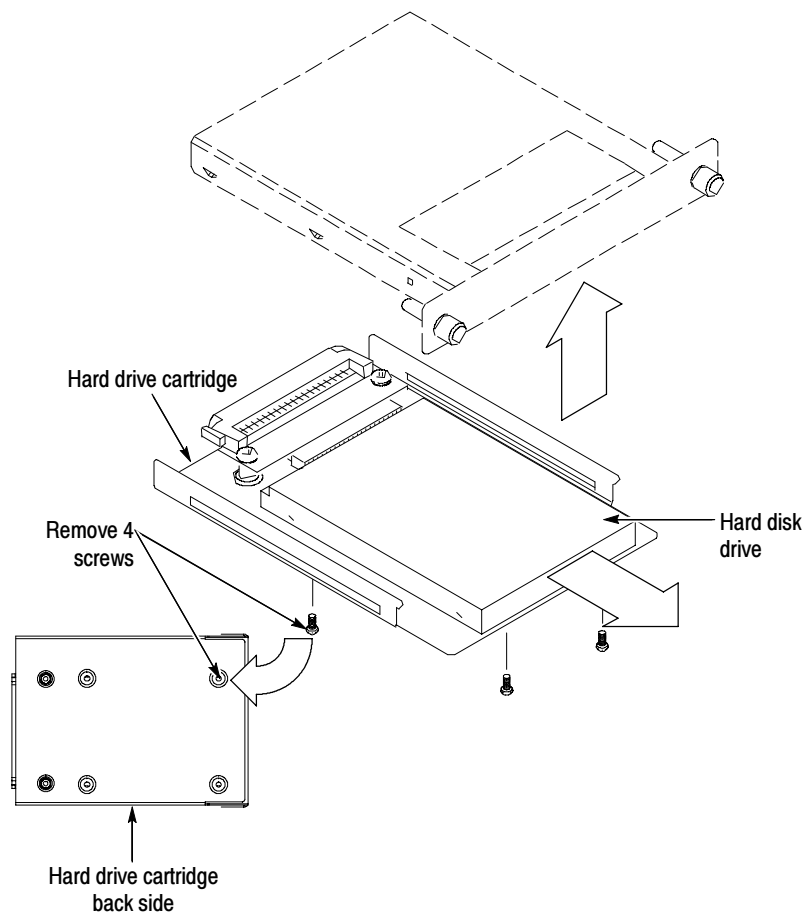


Figure 6-20: Hard disk drive removal from cartridge

- CD Drive**
1. *Locate module to be removed:* Locate the CD Drive in the locator diagram *Internal Modules*, Figure 6-8, on page 6-21. Additional modules to be Removed:
 - Trim (all)
 - Bottom cover
 - Left and Right covers
 2. *Remove the CD Drive assembly:* See Figure 6-21, on page 6-36.
 3. *Orient the instrument:* Set the instrument so its bottom is down on the work surface and its rear panel is facing you.
 - a. Remove the two T-15 Torxdrive screws that secure the CD Drive assembly to the rear chassis.
 - b. Pull the drive until the connector disconnects.
 - c. Slide the CD Drive assembly away from the rear of the chassis and remove it from the instrument.

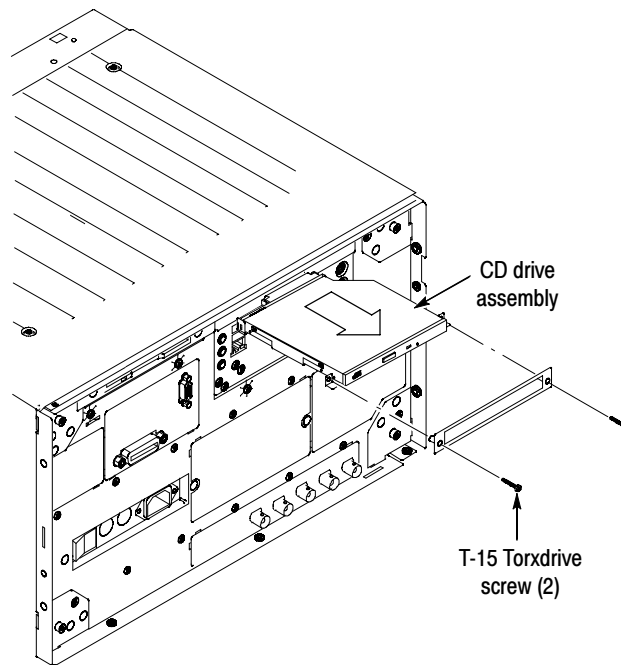


Figure 6-21: CD drive assembly removal

4. *Remove the CD Drive bracket and Rom interface board:* See Figure 6-21, on page 6-36.
 - a. Remove the four #0 Phillips screws that secure the bracket to the CD Drive. Remove the CD Drive and Interface board from the bracket.
 - b. Remove the Interface board from the CD Drive by pulling the Interface board straight back until they separate.

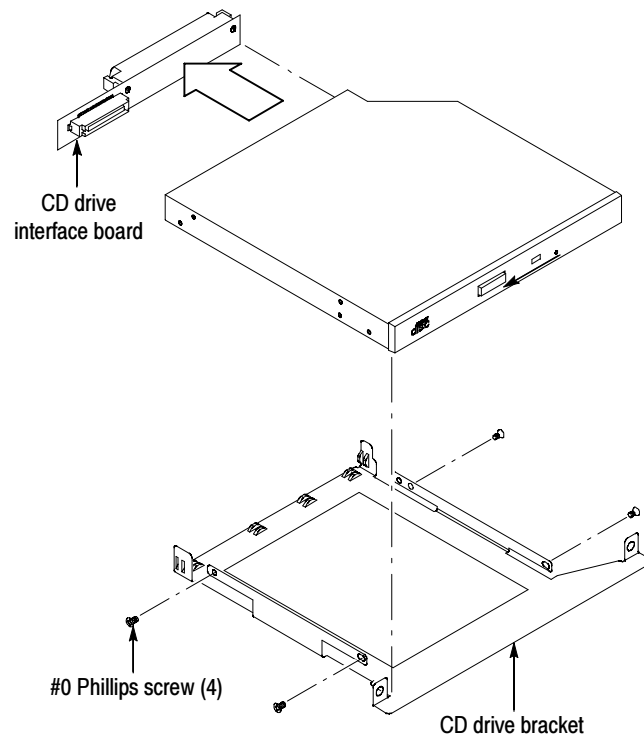


Figure 6-22: CD drive and bracket removal

5. *Reinstallation:* Do in reverse steps 3 and 4 to reinstall the CD Drive assembly.

**Front and Rear Power
Distribution Circuit
Boards**

1. *Assemble equipment and locate modules to be removed:* Find the modules to be removed in the locator diagram *Internal Modules*, Figure 6-8, on page 6-21. Additional modules to be Removed:
 - Trim (all)
 - Bottom cover
 - Left and Right covers
2. *Orient the instrument:* Set the instrument so its left side is down on the work surface and its right side is facing you.
3. *Remove the Front Power Distribution board:* See Figure 6-23, on page 6-39.
 - a. Grasp the Front Power Distribution board and pull it out from the instrument to disconnect it from the following connectors: J2 Power supply board and J102 Acquisition board.
 - b. *Remove the Rear Power Distribution board:* Grasp the Rear Power Distribution board and pull it out from the instrument to disconnect it from the following connectors: J610 Processor board, J1 Power supply board, and J102 Acquisition board.
 - c. *Remove the PA Bus Interconnect board:* Grasp the PA Bus Interconnect board and pull it out from the instrument to disconnect it from the following connectors: J611 Processor board and J100 Acquisition board.
4. *Reinstallation:* Do in reverse step 3 to reinstall the front and rear power distribution and the PA bus interconnect boards.

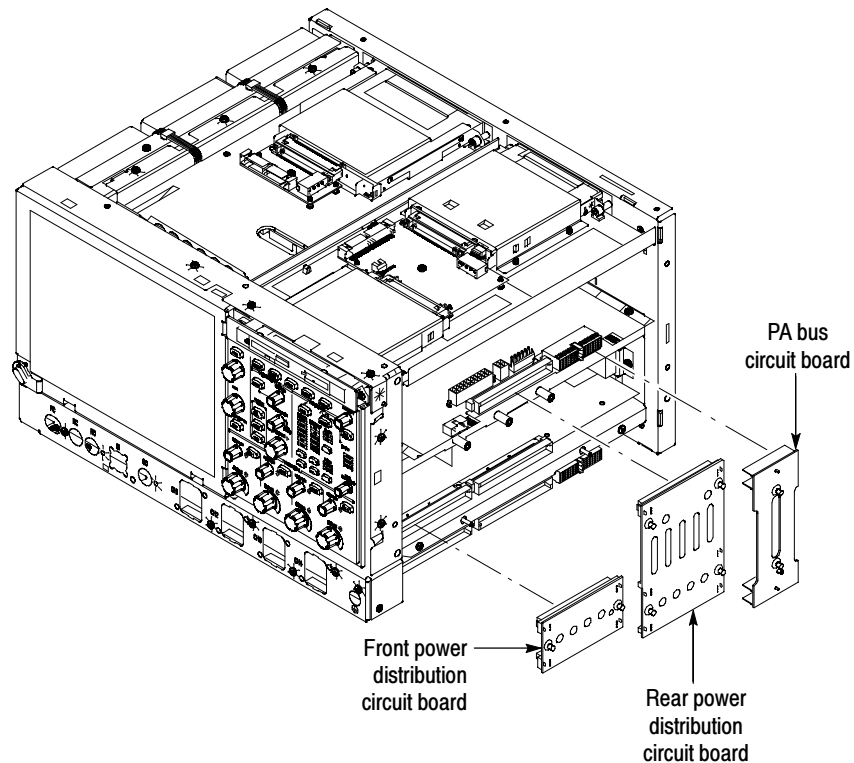


Figure 6-23: Front and rear power distribution and PA bus boards removal

Low-Voltage Power Supply

1. *Assemble equipment and locate modules to be removed:* Locate the modules to be removed in the locator diagram *Internal Modules*, Figure 6-8, on page 6-21. Additional modules to be Removed:
 - Trim (all)
 - Bottom cover
 - Left and Right covers
 - Front and Rear Distribution Boards and the PA bus interconnect board
2. *Orient the instrument:* Set the instrument so its bottom is down on the work surface and its right-side is facing you.
3. *Remove the low-voltage power supply:* See Figure 6-24, on page 6-40.
 - a. Remove the two T-15 Torxdrive screws securing the low-voltage power supply to the right-side chassis support.
 - b. Remove the three T-15 Torxdrive screws securing the low-voltage power supply to rear chassis.

- c. Grasp the low-voltage power supply and carefully slide the assembly out of the instrument.
- 4. *Reinstallation:* Do in reverse steps a through c to reinstall the low-voltage power supply.

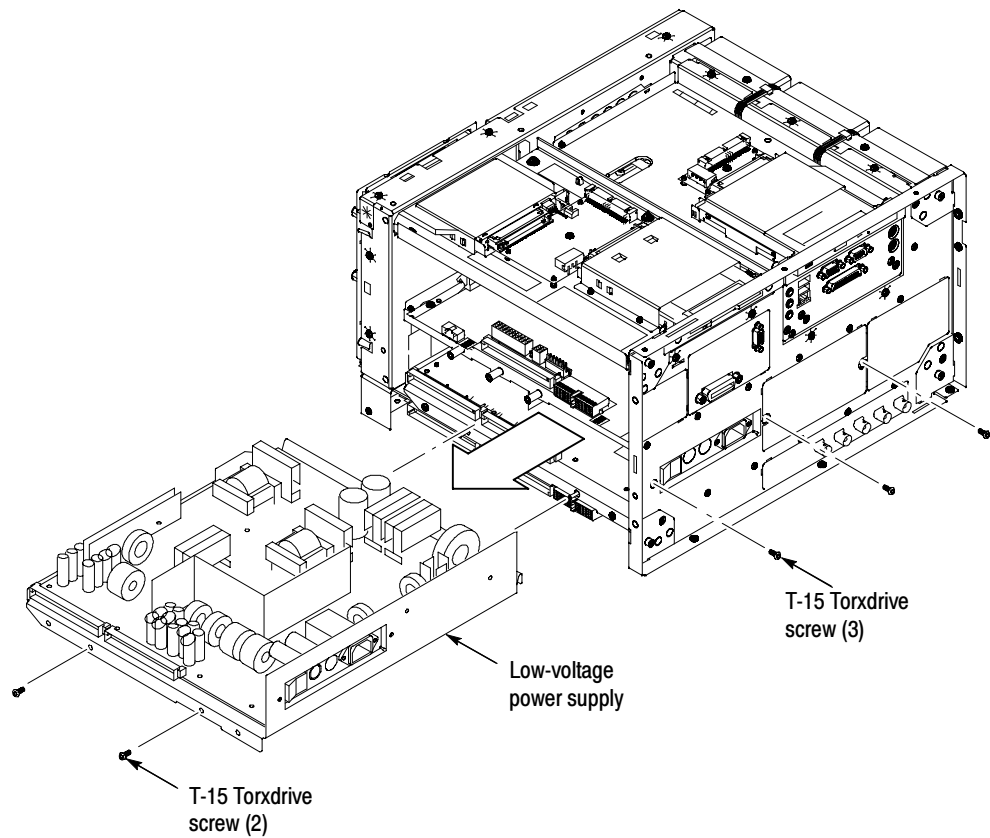


Figure 6-24: Low-voltage power supply removal

Micro ATX Battery

1. *Locate module to be removed:* Locate the Micro ATX battery in the locator diagram *Internal Modules*, Figure 6-8, on page 6-21. Additional modules to be removed:
 - Trim (all)
 - Bottom cover
 - Left and Right covers
2. *Remove the Micro ATX battery:* See Figure 6-25, page 6-41.



CAUTION. Only perform these steps if you need to replace the Micro ATX battery. Removal of this battery will cause the loss of some BIOS settings.

- a. Move the hold-down spring away from the battery. Pull the battery up and out of the instrument (see Figure 6-25).

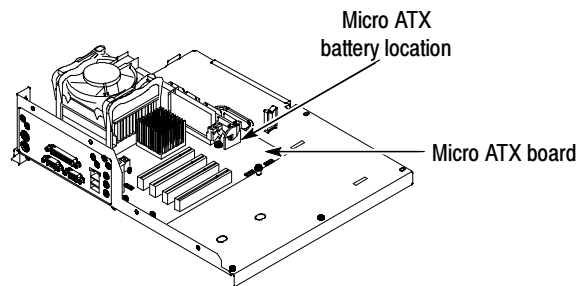


Figure 6-25: Micro ATX battery removal

3. *Reinstallation:* Reinstall the micro ATX battery as follows:
 - a. Do in reverse step 2a to reinstall the micro ATX battery.
 - b. Reinstall the default CMOS parameters:
 - Press the **F2** key during reboot to enter the BIOS SETUP UTILITY.
 - In the BIOS SETUP UTILITY, press the **F9** key.
 - Press the **Enter** key to Load Optimal Defaults.
 - In the BIOS SETUP UTILITY, press the **F10** key.
 - Press the **Enter** key to Save configuration changes and exit.

Micro ATX Board

1. *Locate module to be removed:* Locate the Micro ATX Board in the locator diagram *Internal Modules*, Figure 6-8, on page 6-21. Additional modules to be removed:
 - Trim (all)
 - Bottom cover
 - Left and Right covers
 - Floppy disk drive assembly
 - Hard disk drive assembly
 - CD drive assembly
2. *Remove the Micro ATX Board assembly:* See Figure 6-29, page 6-45.
3. *Orient the instrument:* Set the instrument so its bottom is down on the work surface and its top panel is facing you.
 - a. Remove the six T-15 Torxdrive screws that secure the floppy-drive hard-drive frame to the chassis.
 - b. Lift the rear of the frame and slide the frame to the rear and up out of the instrument.
 - c. Remove the three T-15 Torxdrive screws that secure ATX assembly to the top of the chassis.
 - d. Remove the five T-15 Torxdrive screws that secure ATX assembly to the rear chassis.

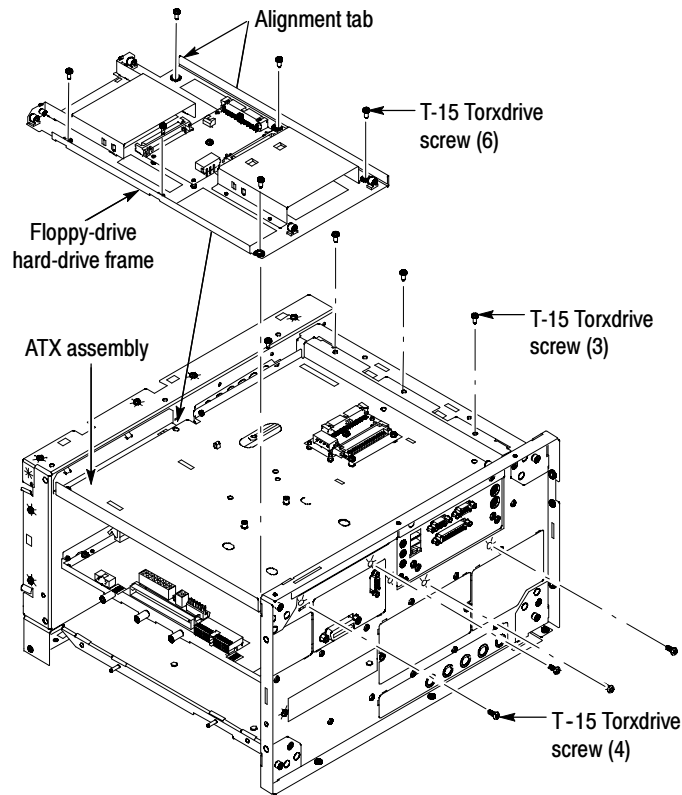


Figure 6-26: Drive frame and ATX assembly removal

- e. Grasp the right rear edge of the ATX assembly and pull up on the assembly to disconnect the Bridge board from the ATX board edge connector.
- f. Slide the ATX assembly toward the front of the instrument.
- g. To troubleshoot the ATX board and the processor board you may prop up the right side of the ATX assembly: Remove the power cable from the front cable clamp. Lift the right edge of the assembly. Release the arm at the front of the assembly. Insert the free end of the arm at the middle front of the chassis. See Figure 6-27 on page 6-44.

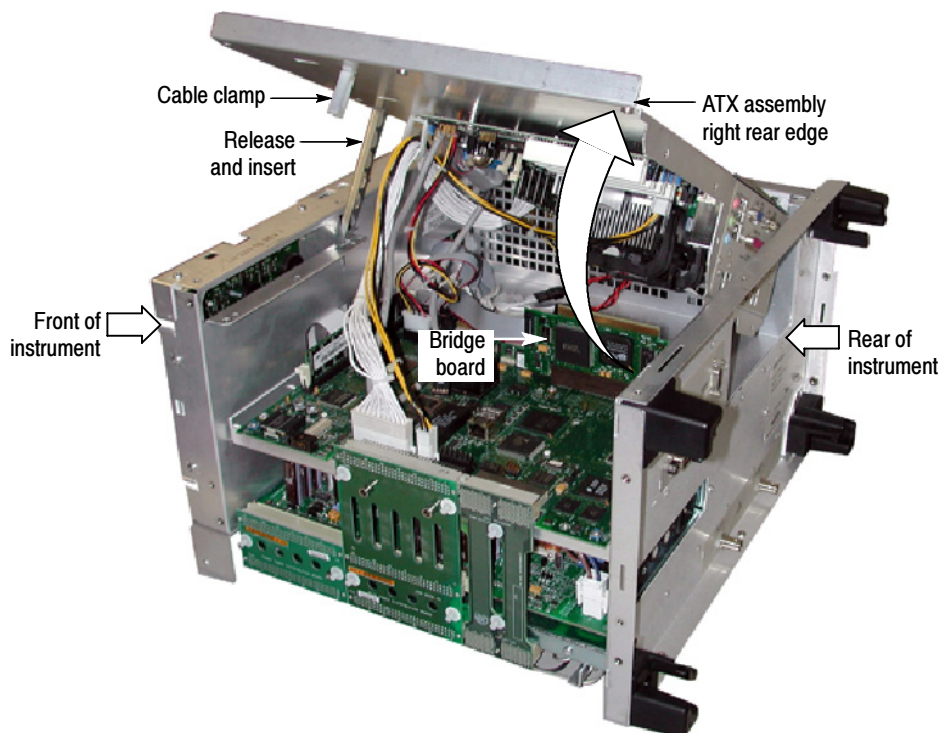


Figure 6-27: ATX assembly troubleshooting position

- h.** To remove the ATX assembly from the instrument: Disconnect J410, J510, J180, J182, and J182 from the processor board.

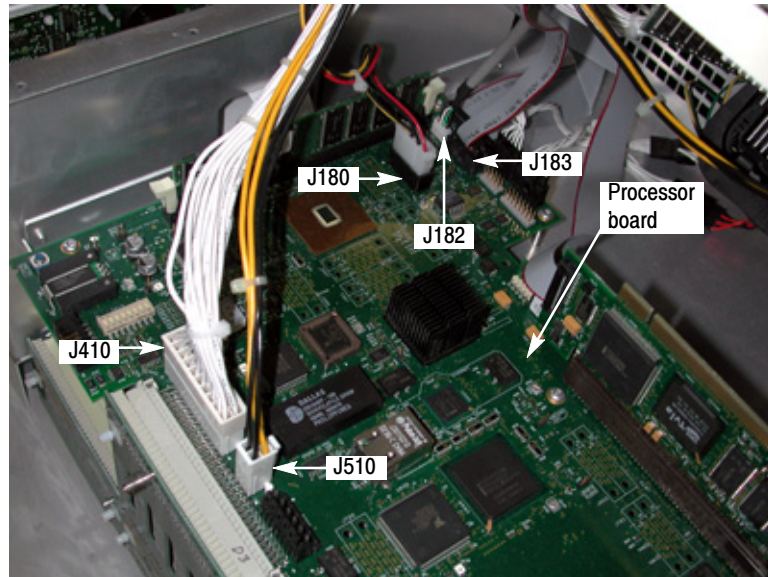


Figure 6-28: Cables

- i. Slide the assembly to the rear of the instrument, and lift to remove the assembly.
- j. Remove the Micro ATX board assembly from the instrument.

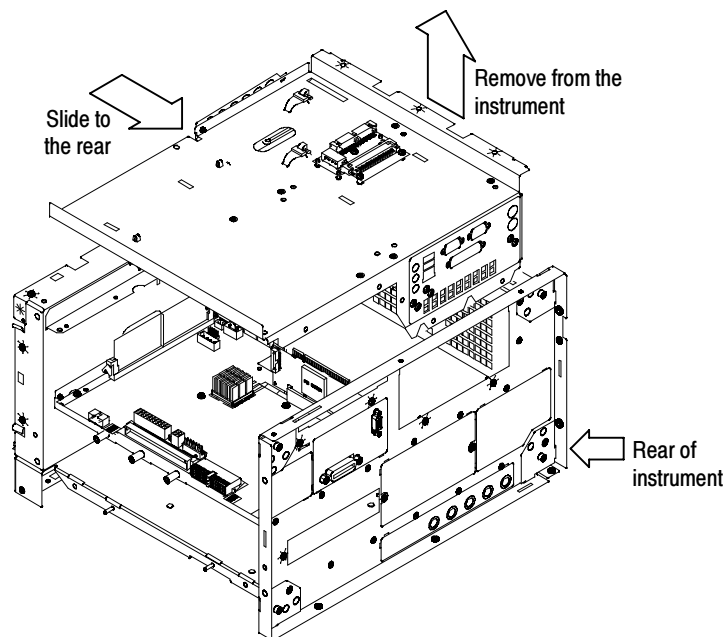


Figure 6-29: Micro ATX assembly removal

4. *Remove the Micro ATX Board:* See Figure 6-31, page 6-47.
 - a. Disconnect the J9G1 USB, J9F2 Front Panel USB, J2H1 power, J6H1 and J6H2 IDE, and 12 V cable connectors from the Micro ATX board.

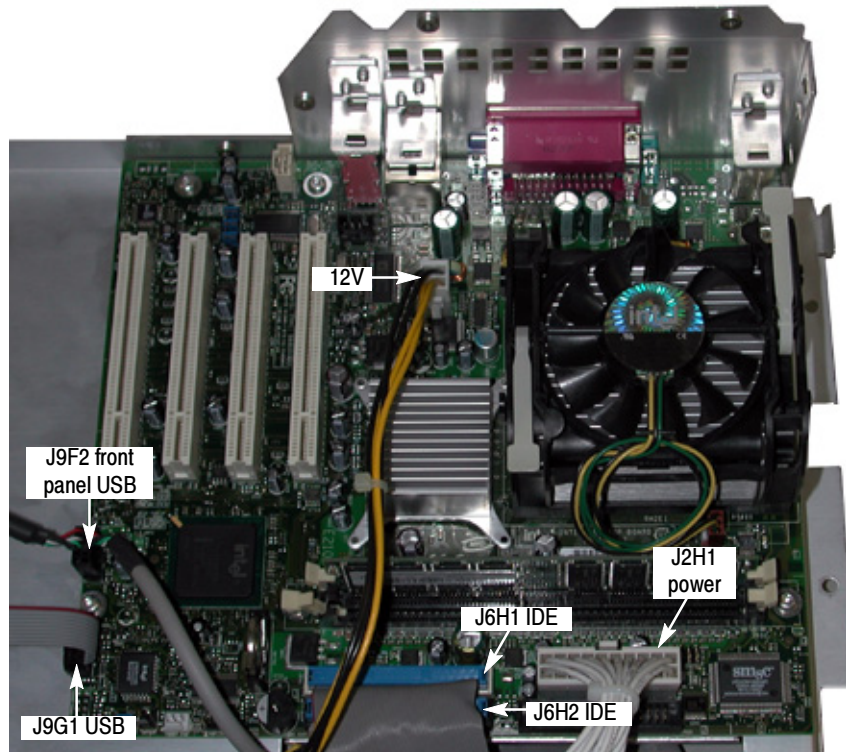


Figure 6-30: Cables

- b. Remove the six T-15 Torxdrive screws that secure Micro ATX board to the ATX assembly.
 - c. Remove the 3/16 nut posts that secure the connectors to the rear of the ATX assembly.
 - d. Remove the Micro ATX board from the assembly.
5. *Reinstallation:* Do in reverse steps 3 and 4 to reinstall the Micro ATX board.

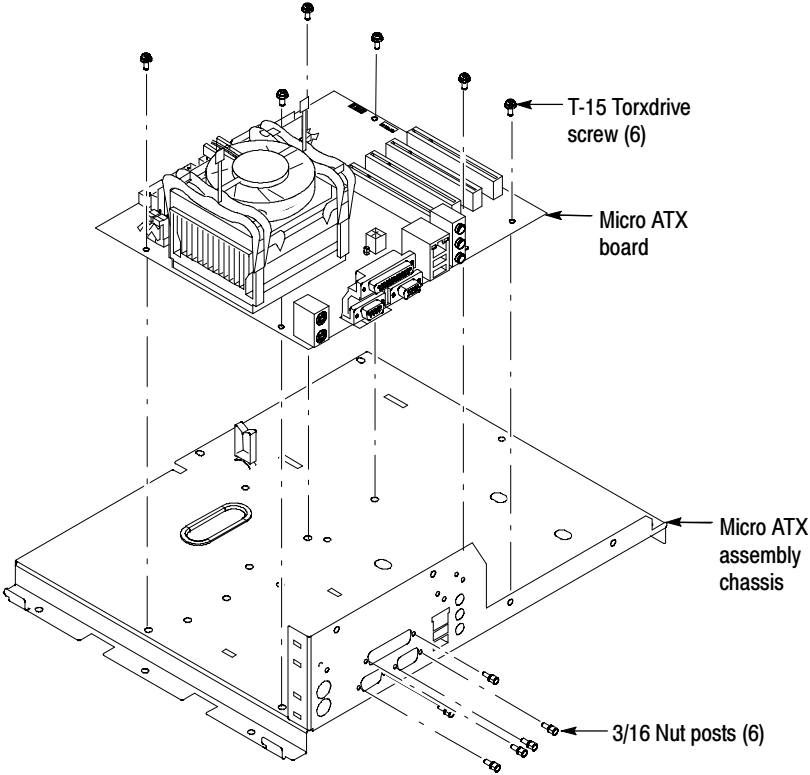


Figure 6-31: Micro ATX board removal

Microprocessor

1. *Locate module to be removed:* Locate the microprocessor board in the locator diagram *Internal Modules*, Figure 6-8, on page 6-21. Additional modules to be removed:
 - Trim
 - Bottom cover
 - Left and Right covers
 - ATX assembly



CAUTION. *The microprocessor is susceptible to static-discharge damage. Service this component only in a static-free environment. Observe standard handling precautions for static-sensitive devices while servicing the instrument. Always wear grounded wrist and foot straps while servicing the microprocessor, Micro ATX or processor boards.*

2. *Remove the microprocessor:* See Figure 6-32, page 6-49.
 - a. Disconnect the fan power cable J2F4 from the Micro ATX board.
 - b. Pull up on the two latch arms on the microprocessor assembly.
 - c. Lift each leg of the fan and heatsink assembly out of the locking channel.
 - d. Lift the fan and heatsink assembly off the microprocessor.
 - e. Lift the microprocessor socket locking lever upward. Remove the microprocessor.
3. *Reinstallation:* Reinstall the microprocessor to the Micro ATX board as follows:
 - a. Install the microprocessor in the socket.
 - b. Lower the socket locking lever.
 - c. Make sure the fan/heatsink assembly is positioned with the fan cable toward the front of the circuit board.
 - d. Place the fan/heatsink assembly on the microprocessor.
 - e. Move the two latch arms to the locked position.
 - f. Connect the fan power cable J2F4 to the Micro ATX board.

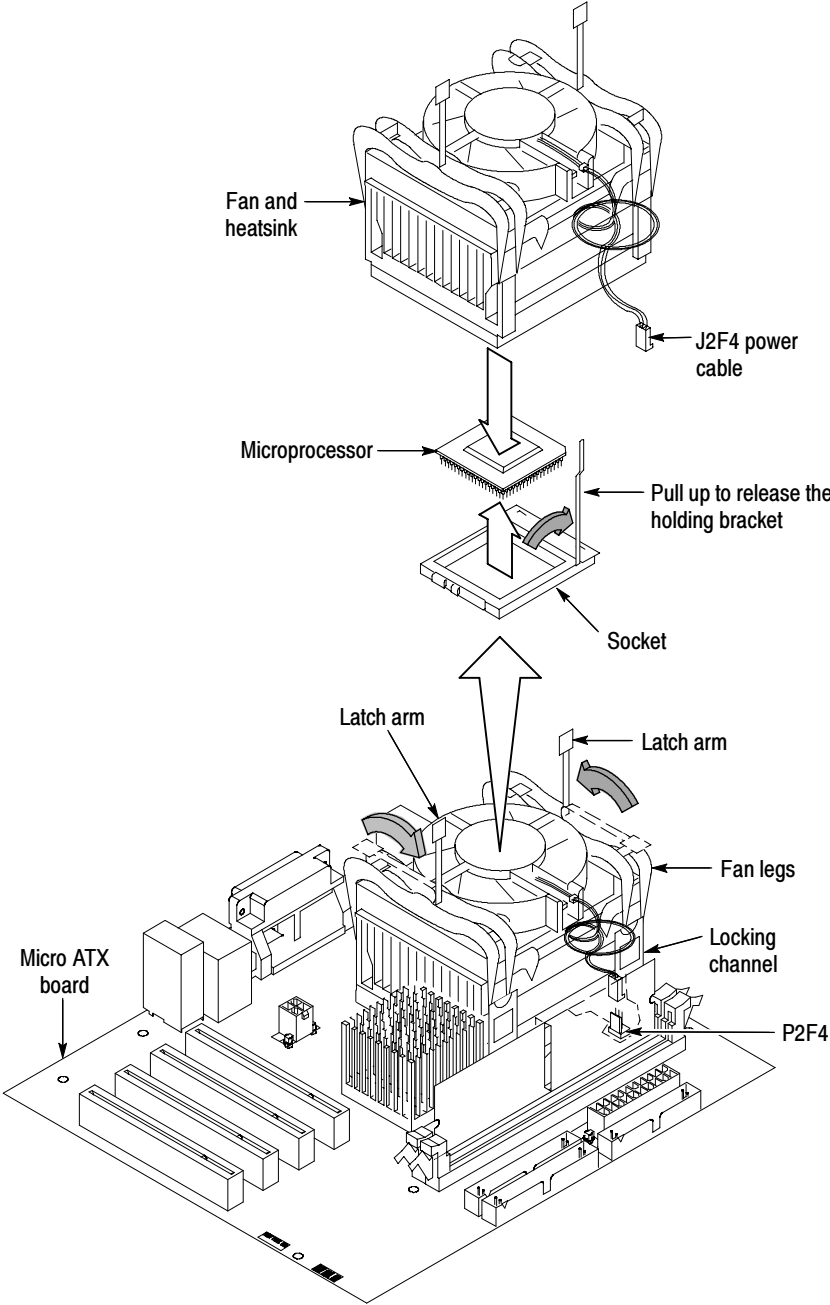


Figure 6-32: Microprocessor removal

Fan Assembly Removal

1. *Locate module to be removed:* Locate the Fan assembly in the locator diagram *Internal Modules*, Figure 6-8, page 6-21. Additional modules to be Removed:
 - Trim (all)
 - Bottom cover
 - Left and Right covers
 - ATX assembly
2. *Orient the instrument:* Set the instrument so its bottom is down on the work surface and its left side is facing you.
3. *Remove the fan:* See Figure 6-33, page 6-51.
 - a. *Disconnect the fan from the processor board:* Disconnect the two fan power cables J291 and J390 located on the processor board. Remove the fan power cables from under the cable clamp.
 - b. Remove the two T-15 Torxdrive screws securing the fan assembly to the top main chassis.
 - c. Lift the fan assembly up and out from the chassis.
4. *Reinstallation:* Do in reverse steps a through c to reinstall the fan assembly.



CAUTION. Take care when handling the fan assembly, the fan blades are brittle and can be easily damaged.

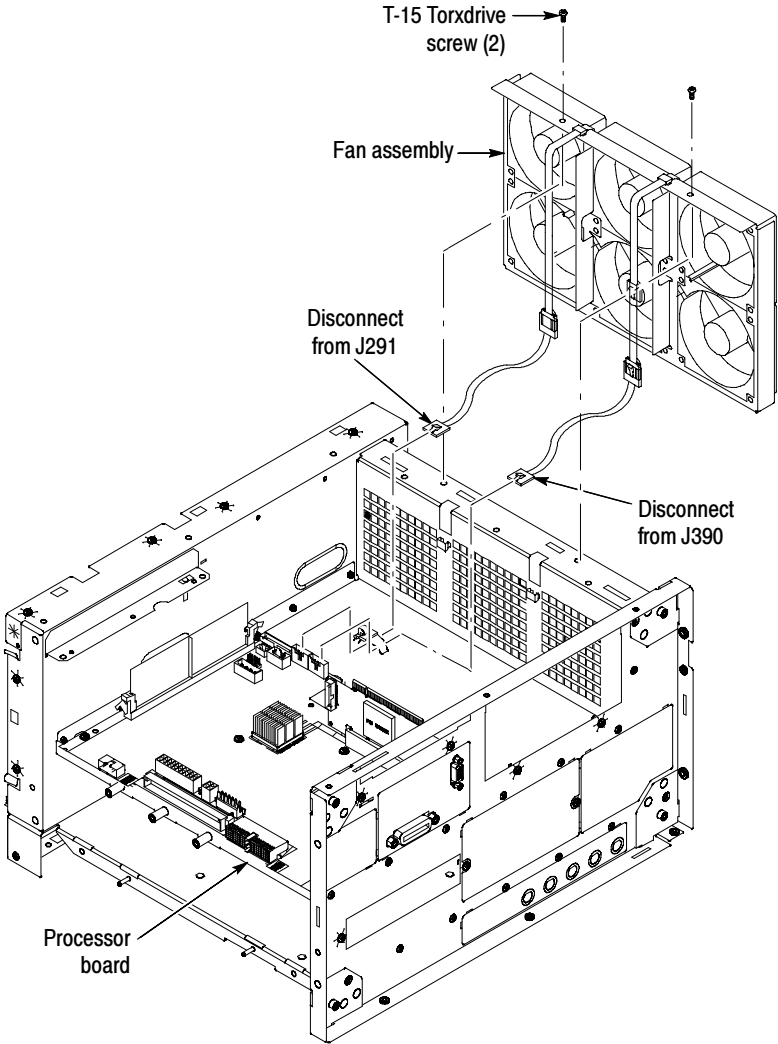


Figure 6-33: Fan assembly removal

PPC Processor Board

1. *Locate module to be removed:* Replacement of this board must be performed by a Tektronix Service Center. Locate the PPC (Power PC) processor board assembly in the locator diagram *Internal Modules*, Figure 6-8, on page 6-21. Additional modules to be removed:



CAUTION. *This board should only be replaced by Tektronix.*

- Trim (all)
 - Bottom cover
 - Left and Right covers
 - Hard Disk and CD Drive
 - Floppy Disk Drive
 - Micro ATX assembly
 - Rear Power Distribution and PA Bus Boards
2. *Orient the instrument:* Set the instrument so its bottom is down on the work surface and its top panel is facing you.
 3. *Remove the PC processor board assembly:* See Figure 6-36, on page 6-55.
 - a. Disconnect the J205 connector from the Bridge board. See Figure 6-34, on page 6-53.
 - b. Disconnect the J150, J290, J291, and J390 connectors from the PPC board.

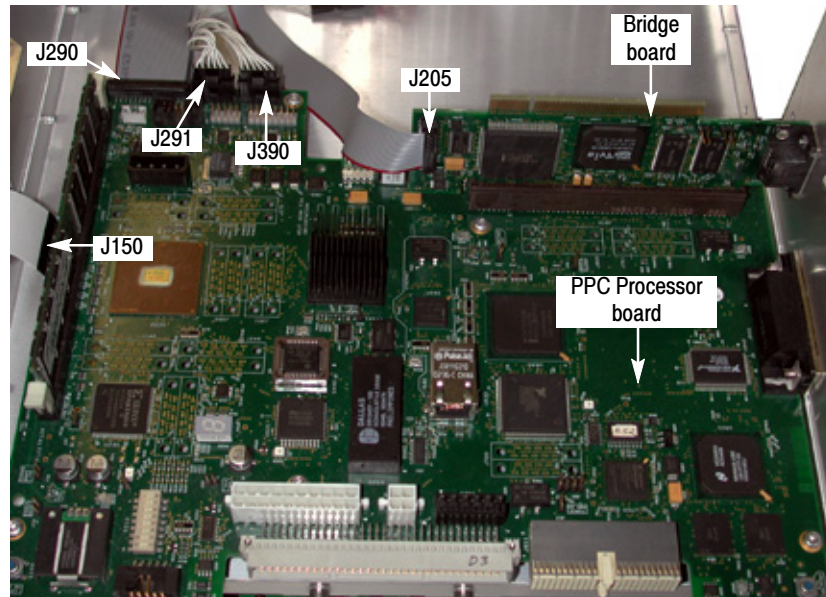


Figure 6-34: Processor board cables

- c. Remove the two 3/16 nut posts that secure the bridge board connector to the rear of the chassis. See Figure 6-35, on page 6-54.
- d. Remove the seven T-15 Torxdrive screws securing the PPC processor to the chassis support.
- e. Remove the two 9/32 nut posts securing the PPC processor board assembly and connector to the rear chassis.
- f. Remove the PPC board.

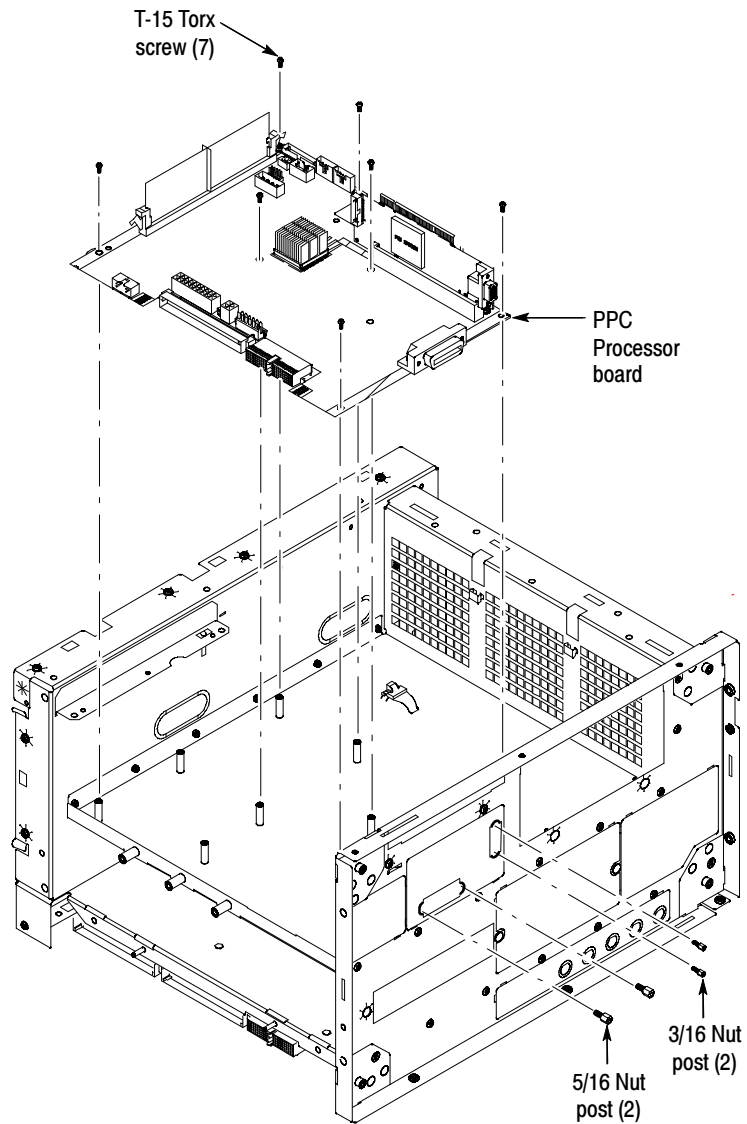


Figure 6-35: PPC Processor board removal



CAUTION. Removing the Bridge board without first removing the PPC board will damage the connector.

- g. Grasp the Bridge board and pull it straight up to disconnect J870 edge card connector from the PPC board. Remove the Bridge board from the PPC board assembly. See Figure 6-36, page 6-55.

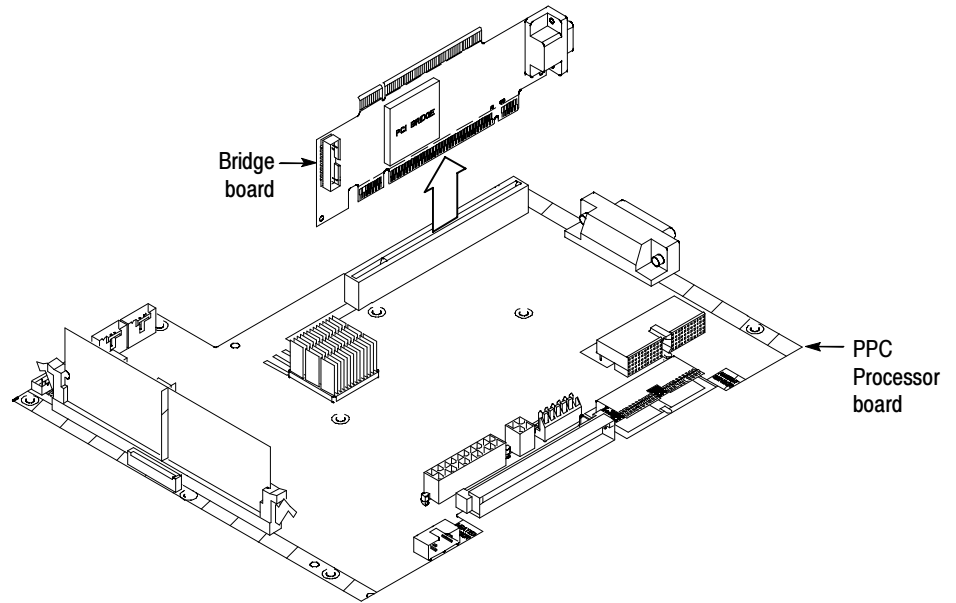


Figure 6-36: Bridge board removal

4. *Reinstallation:* Do in reverse step 3 to reinstall the PPC processor board assembly and Bridge board.

**Acquisition Board,
CSA700B Series**



1. *Locate module to be removed:* Replacement of this board must be performed by a Tektronix Service Center. Locate the Acquisition board in the locator diagram, Figure 6-8, on page 6-21. Additional modules to be removed:

CAUTION. *This board should only be replaced by Tektronix.*

- Trim
 - Bottom cover
 - Left and Right covers
 - Front and Rear Power Distribution Boards (PA Bus board)
2. *Orient the instrument:* Set the instrument so its top is down on the work surface and its bottom is facing you.
 3. *Remove the Acquisition board:* See Figure 6-37, page 6-57.
 - a. Disconnect EXT REF, REF OUT, SIGNAL OUT, AUX OUT, and AUX IN coaxial cables from the rear panel BNC connectors.
 - b. Remove the 10 T-15 Torxdrive screws securing the Acquisition assembly to the front chassis.
 - c. Remove the six T-15 Torxdrive screws securing the Acquisition assembly to the chassis.
 - d. Slide the Acquisition board toward the rear of the instrument. Then lift the board out of the instrument.

NOTE. *If you are replacing the acquisition board assembly, do not remove the remaining parts, they are part of the replaceable assembly.*

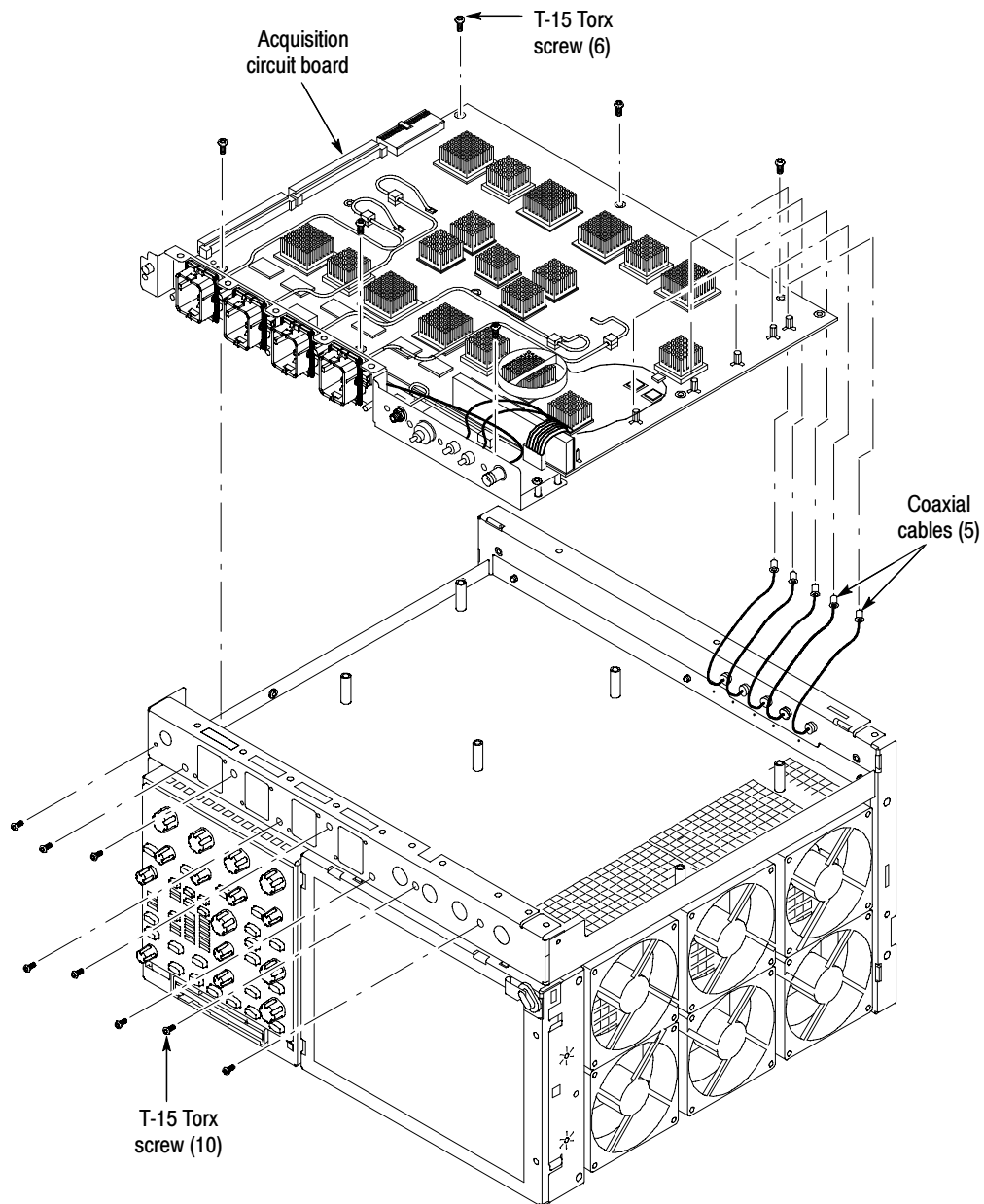


Figure 6-37: Acquisition circuit board removal

4. *Access the Front Panel Combination assembly:* See Figure 6-38, page 6-58.
 - a. Remove the TekConnect ribbon cable by grasping the sides of the connector and pulling up.
 - b. Remove the 7/16 nut from the inside front of the 4 TekConnect buckets.

- c. Remove the three T-15 Torxdrive screws securing the Acquisition board to the Front Panel Combination assembly.

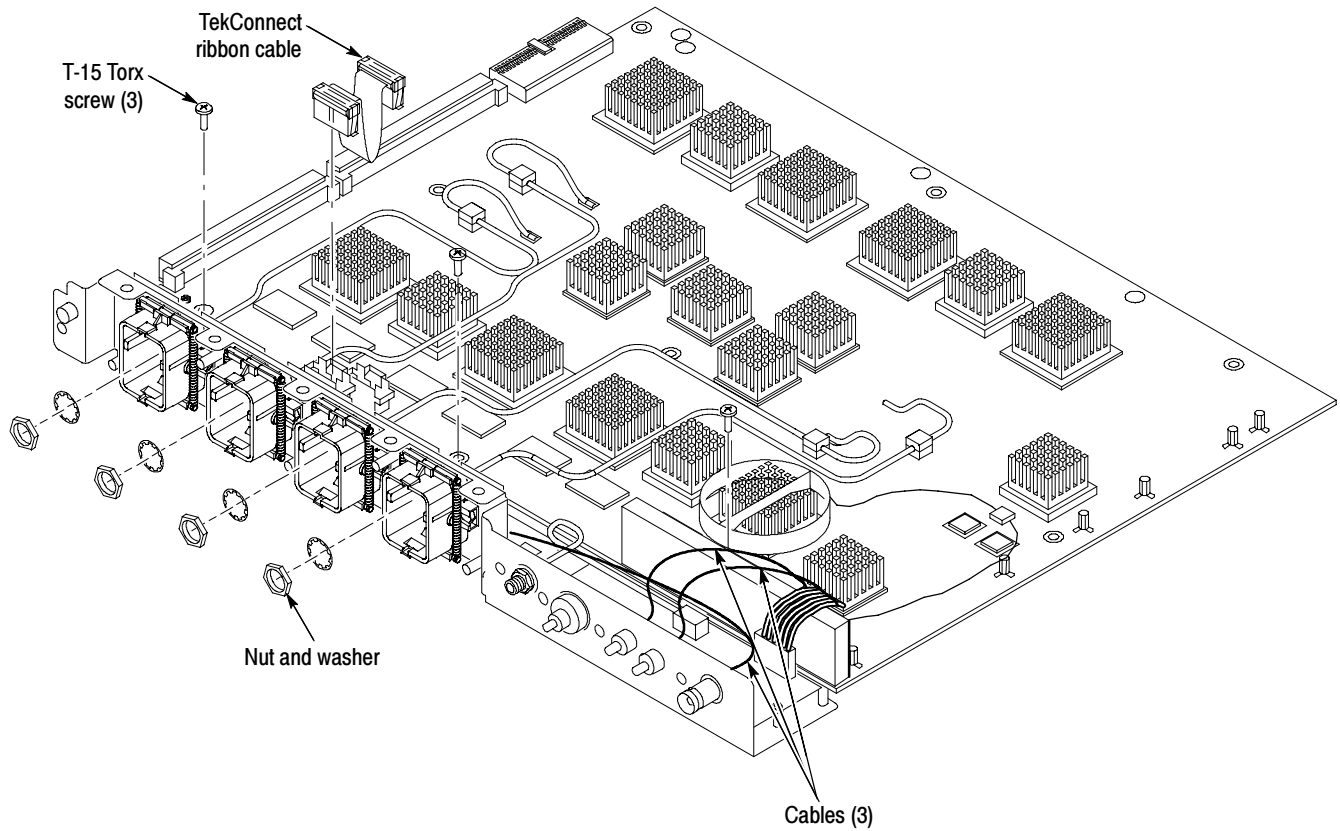


Figure 6-38: Front panel combination assembly removal

5. *Remove the TekConnect circuit board:* See Figure 6-39, page 6-59. Remove the five T-15 Torxdrive screws securing the TekConnect board to the combination assembly.
6. *Remove a TekConnect bucket:* See Figure 6-39, page 6-59. Remove the three T-15 Torxdrive screws securing the TekConnect bucket to the Front Panel Combination assembly.



CAUTION. Further disassembly of the Acquisition board and Front-panel combination assembly will damage optical cables and components requiring replacement of the Acquisition board and Front-panel combination assembly. Do not let either the board or assembly hang from, be lifted by, or in some other method stress the cables connected between the Acquisition board and the Front-panel combination assembly.

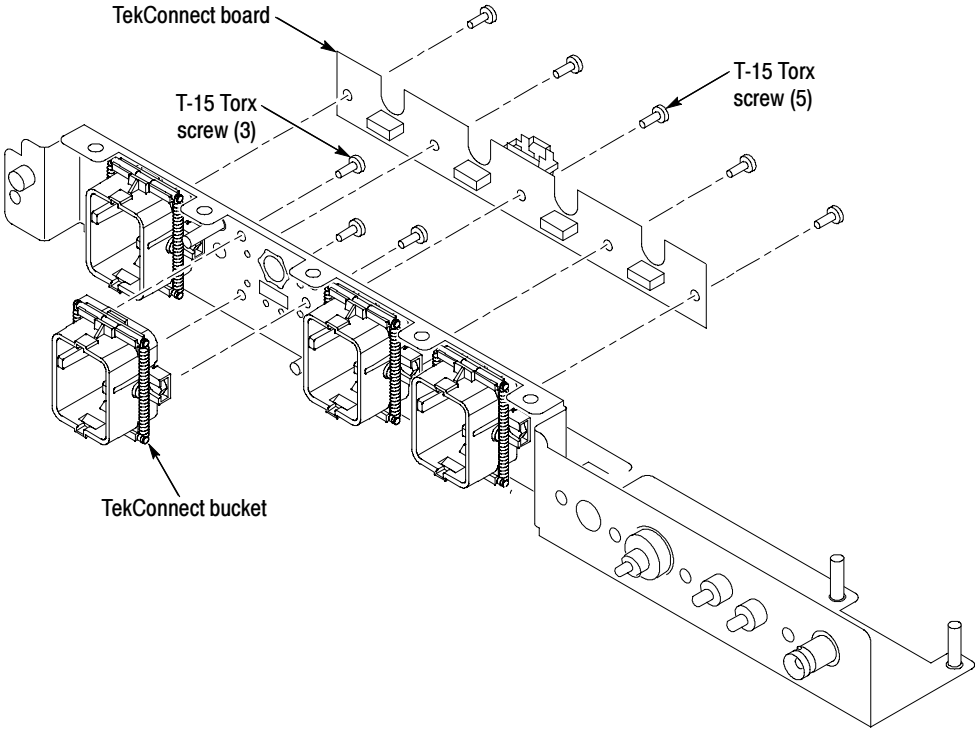


Figure 6-39: TekConnect board and TekConnect bucket removal

**Acquisition Board,
TDS7000B Series**



1. *Locate module to be removed:* Replacement of this board must be performed by a Tektronix Service Center. Locate the Acquisition board in the locator diagram, Figure 6-8, on page 6-21. Additional modules to be removed:

CAUTION. *This board should only be replaced by Tektronix.*

- Trim
 - Bottom cover
 - Left and Right covers
 - Front and Rear Power Distribution Boards (PA Bus board)
2. *Orient the instrument:* Set the instrument so its top is down on the work surface and its bottom is facing you.
 3. *Remove the Acquisition board:* See Figure 6-37, page 6-57.
 - a. Disconnect EXT REF and REF OUT coaxial cables from the rear panel BNC connectors.
 - b. Remove the eight T-15 Torxdrive screws securing the Acquisition assembly to the front chassis.
 - c. Remove the six T-15 Torxdrive screws securing the Acquisition assembly to the chassis.
 - d. Slide the Acquisition board toward the rear of the instrument. Then lift the board out of the instrument.

NOTE. *If you are replacing the acquisition board assembly, do not remove the remaining parts, they are part of the replaceable assembly.*

4. *Remove the Front Panel Combination assembly:* See Figure 6-41, page 6-63.
 - a. Remove the TekConnect ribbon cable by grasping the sides of the connector and pulling up.
 - b. Remove the four cables connected to the BNCs. Take note of which BNC each cable is connected to for later reassembly.
 - c. Remove the 7/16 nut from the inside front of the 4 TekConnect buckets.
 - d. Remove the three T-15 Torxdrive screws securing the Acquisition board to the Front Panel Combination assembly.

- e. Carefully separate the Acquisition board from the combination assembly chassis at the front corners of the Acquisition board.
5. *Remove the TekConnect circuit board:* See Figure 6-42, page 6-64. Remove the five T-15 Torxdrive screws securing the TekConnect board to the combination assembly.
6. *Remove a TekConnect bucket:* See Figure 6-42, page 6-64. Remove the three T-15 Torxdrive screws securing the TekConnect bucket to the Front Panel Combination assembly.

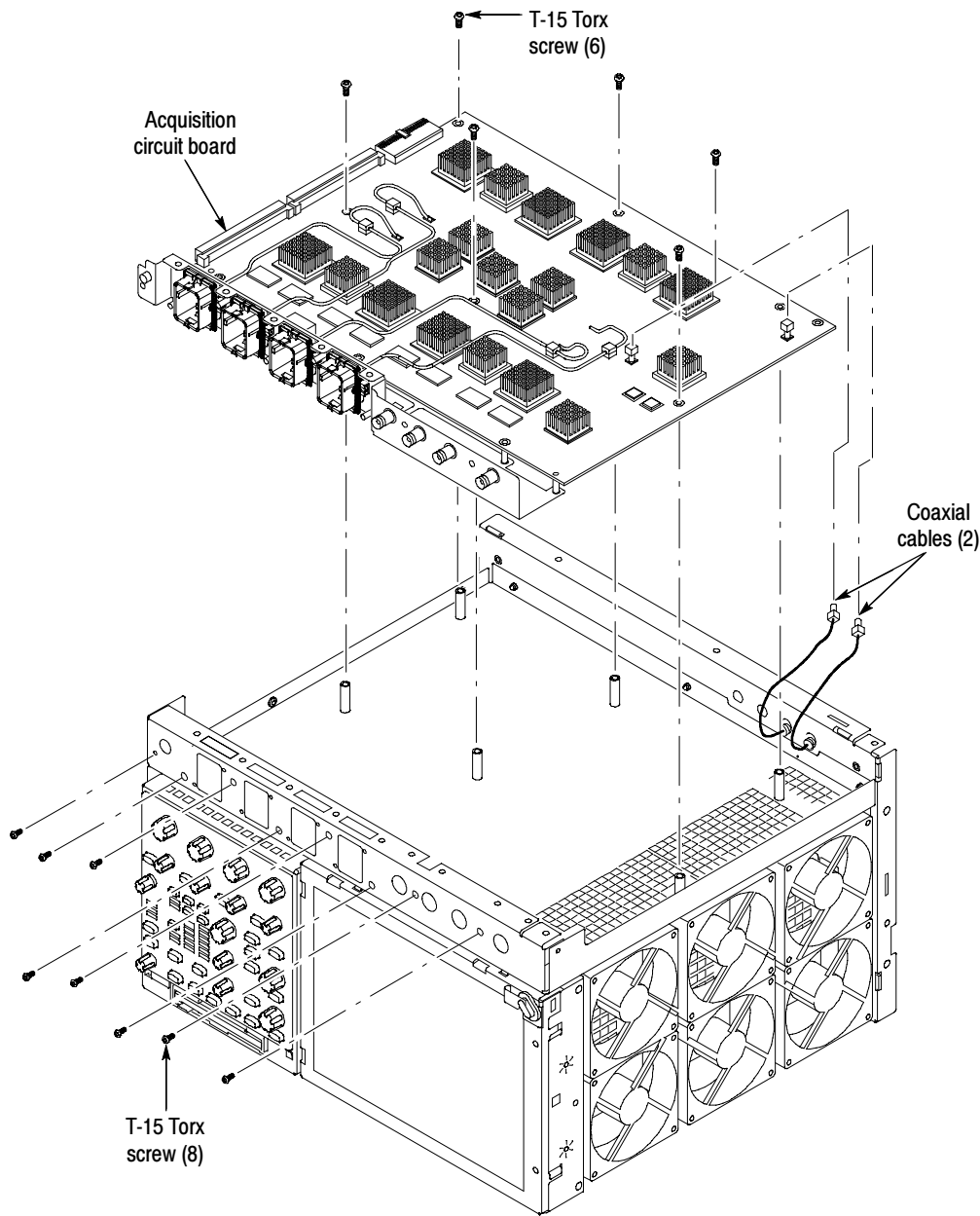


Figure 6- 40: Acquisition circuit board removal (TDS7404B shown)

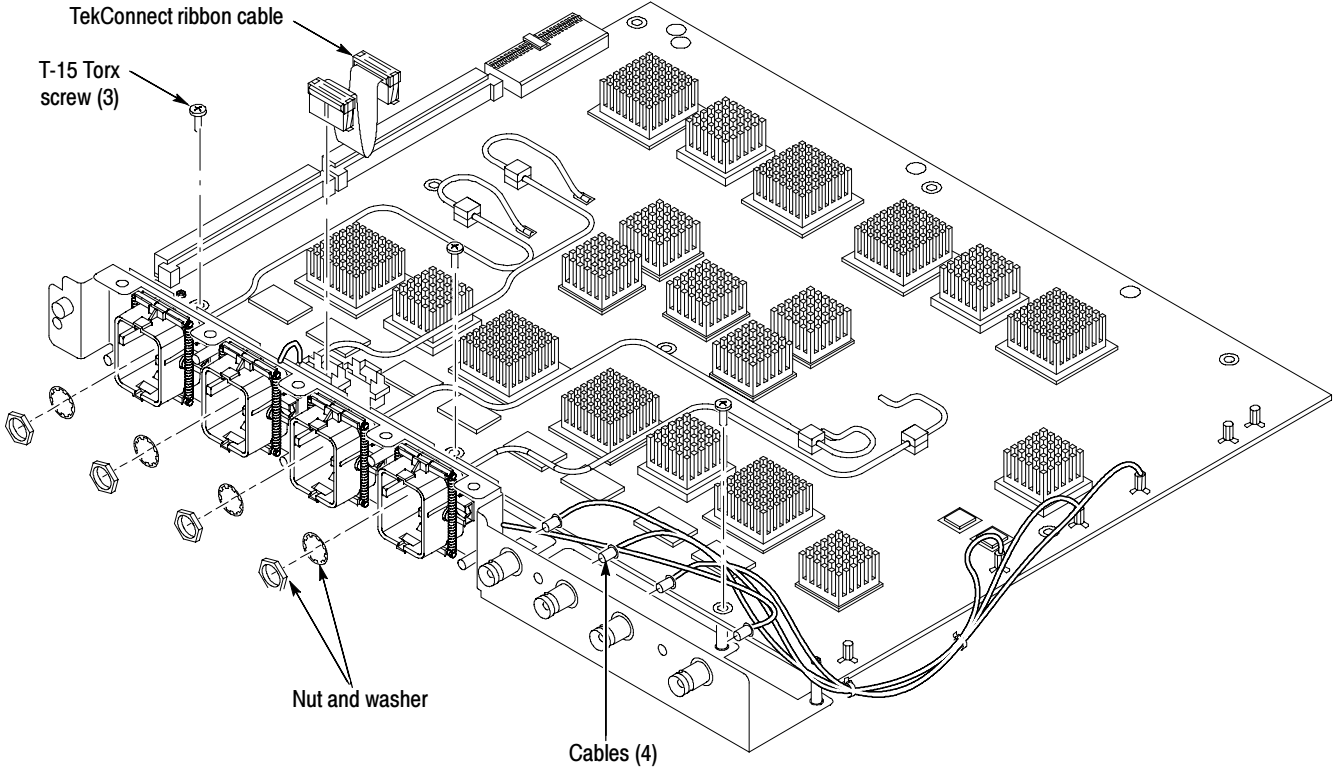


Figure 6-41: Front panel combination assembly removal (TDS7404B shown)

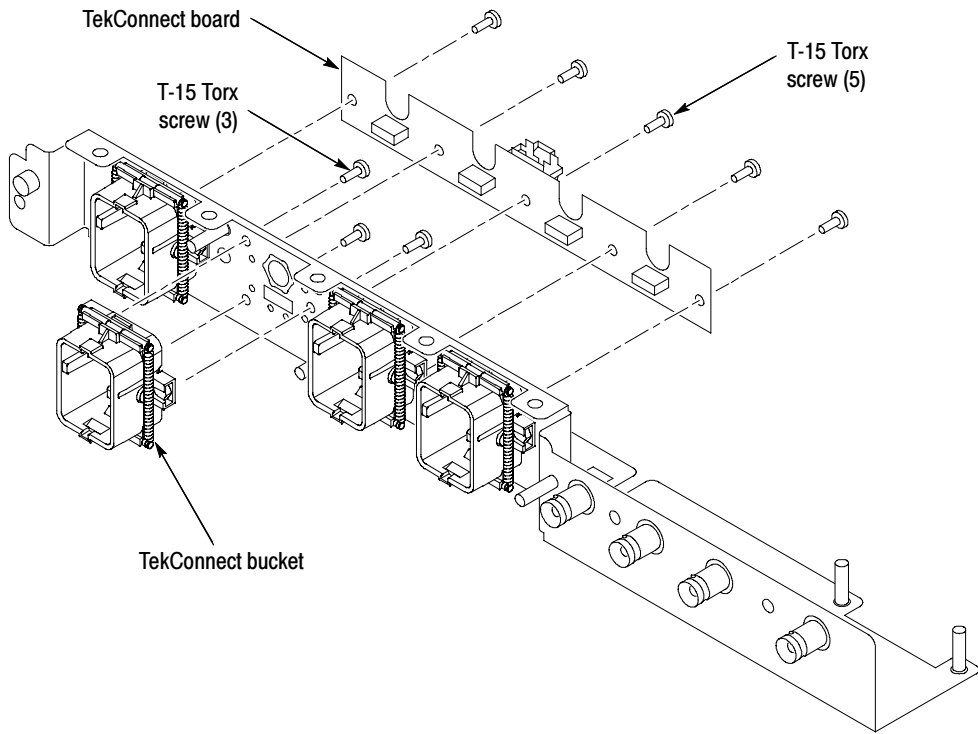


Figure 6- 42: TekConnect board and TekConnect bucket removal

Troubleshooting



WARNING. Before performing this or any other procedure in this manual, read the General Safety Summary and Service Safety Summary found at the beginning of this manual.

To prevent possible injury to service personnel or damage to electrical components, please read Preventing ESD on page 6-1.

This section contains information and procedures designed to help you isolate faults to a module.

This section assumes that service personnel have the prerequisite skills required to work on this instrument, including PC troubleshooting and Windows operating system skills. Details of PC and Windows operation and service are not in this manual.

For assistance, contact your local Tektronix Service Center.

Service Level

This subsection contains information and procedures designed to help you isolate faulty modules in the instrument. If a module needs to be replaced, follow the *Removal and Installation Procedures* located in this section.

Check for Common Problems

Use Table 6-4 to quickly isolate possible failures. The table lists problems and possible causes. The list is not exhaustive, but it may help you eliminate a problem that is quick to fix, such as a blown fuse or loose cable.

Table 6-4: Failure symptoms and possible causes

Symptom	Possible cause(s)
Instrument will not power on	<ul style="list-style-type: none">■ Power cord not plugged in■ Failed fuse■ Mains power switch is in off position■ Faulty power supply
Front panel light comes on (instrument powers on), but one or more fans will not operate	<ul style="list-style-type: none">■ Faulty fan cable■ Defective fan assembly■ Faulty power supply

Table 6-4: Failure symptoms and possible causes (Cont.)

Symptom	Possible cause(s)
PPC appears “dead”; power light comes on, but monitor screen(s) is (are) blank, instrument emits no beeps	<ul style="list-style-type: none"> ■ SO DIMMs incorrectly installed or missing. Missing DIMMs will cause a POST fault and MicroATX will beep ■ Defective Power PC (PPC) board ■ Hold down on-standby button on the PPC, if system boots, replace the power supply
Hard disk drive related symptoms	<ul style="list-style-type: none"> ■ Defective hard disk drive ■ Incorrect hard disk type selected in the BIOS setup ■ Replaceable hard disk drive not installed ■ Power supply failure ■ Corrupted BIOS module firmware, reinstall firmware ■ Hard disk drive not configured as bootable (slave) master hard disk drive ■ Loose cable ■ Faulty bridge board ■ Faulty PPC board
CD-ROM related symptoms	<ul style="list-style-type: none"> ■ Defective CD-ROM ■ Defective CD-ROM drive cable ■ Defective CD-ROM board ■ Incorrect CD-ROM configuration in the BIOS setup

Table 6-4: Failure symptoms and possible causes (Cont.)

Symptom	Possible cause(s)
Flat panel display blank	<ul style="list-style-type: none"> ■ Display selection jumper set incorrectly on front panel board (there are no jumpers on the board when the instrument is shipped from the factory; this is the correct default setting) ■ Video adapter set to Integrated (connect monitor to MicroATX VIDEO port, enter BIOS, set Video Adapter = PCI) ■ BIOS setting not Advance > Video Configuration > Primary Video Adapter = PCI ■ Defective cable from front panel board to display adapter board ■ Defective cable from inverter board to display adapter board ■ Defective cable from inverter board to backlighting display lamp ■ Defective backlighting display lamp ■ Faulty display ■ Faulty controller board ■ Faulty inverter board ■ Faulty display adapter board
BIOS error messages	<ul style="list-style-type: none"> ■ Refer to the BIOS error message tables starting on page 6-77

Equipment Required

You will need a digital voltmeter to check power supply voltages, as described on page 6-69.

Testing might also be required to correct some faults. Under those circumstances, you will need the test equipment listed in the *Performance Verification and Adjustment Procedures* in this manual.

Fault Isolation Procedure

Follow the primary troubleshooting tree in Figure 6-43 for fault isolation. This tree calls for you to run the diagnostics programs, and check for BIOS errors.

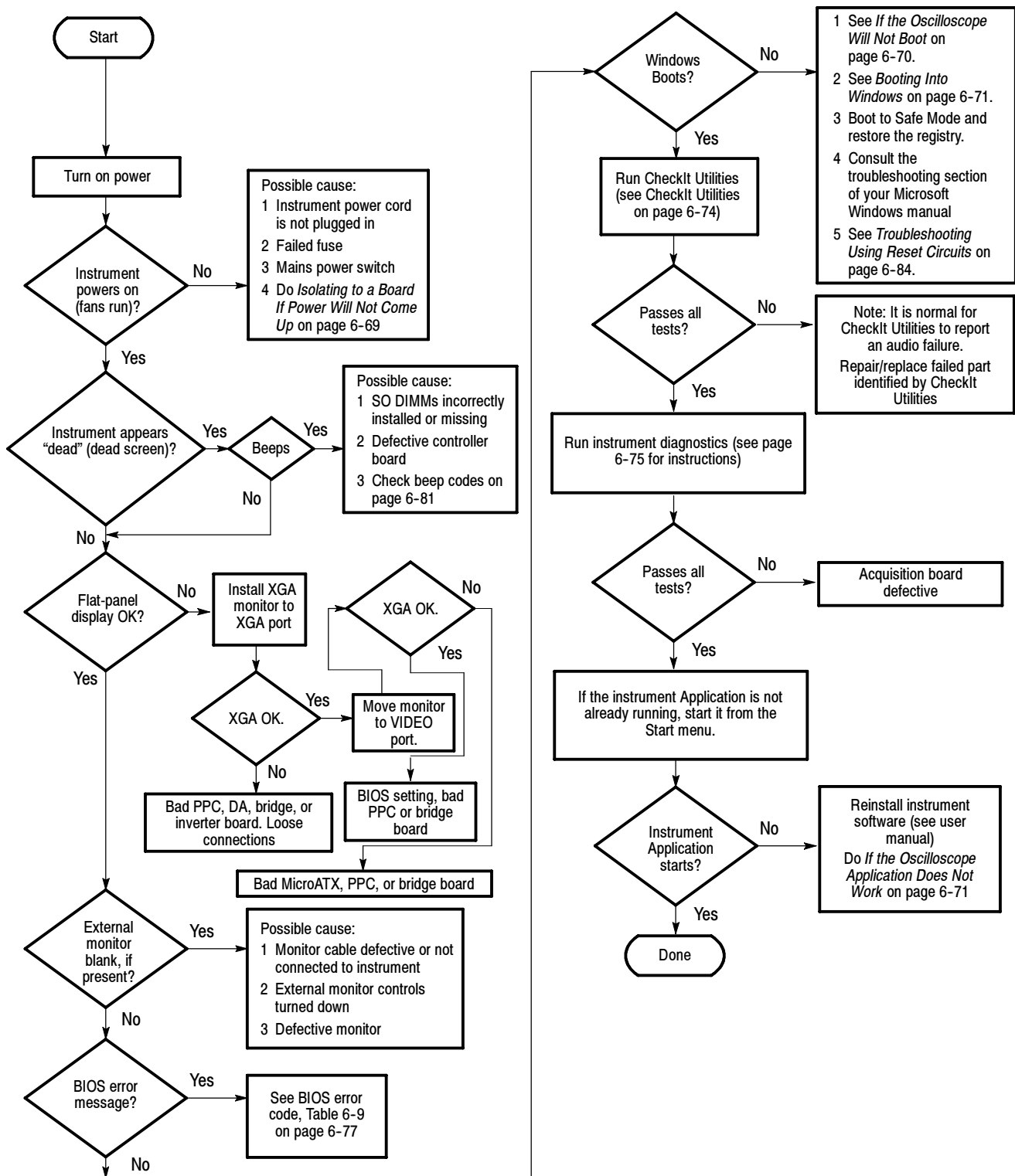


Figure 6- 43: Primary troubleshooting tree

Isolating to a Board if Power Will Not Come Up

If the mains power switch is on and the instrument is not on, (power supply is in standby mode), a red light (see Figure 6-44 for its location) is visible through the right side of the instrument. If the instrument is on, the red light is off.

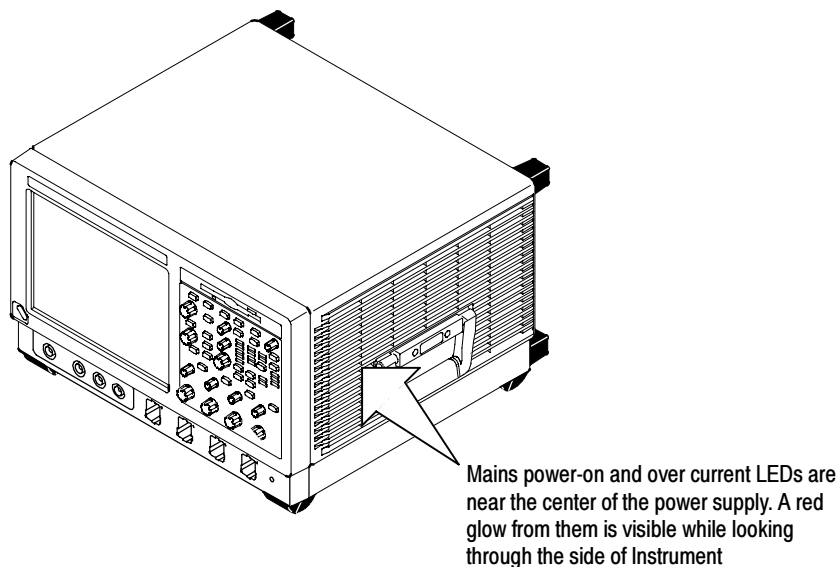


Figure 6-44: Location of power-on and over current LEDs

If the instrument thinks power is on, a red light (see Figure 6-44) means that there is an over current condition.

If the on/standby pin (pin C1 of P201 on the rear power distribution board or pin B162 on the bridge board) is low, the instrument thinks power is on.

Remove boards one at a time to locate a fault (the display, floppy, acquisition board, front [analog supply to acquisition board] and power distribution board, and the MicroATX and the bridge boards). If you remove the MicroATX board, you must also remove the bridge board. The PPC board and the rear power distribution board are required for power to come up.

If removing the boards did not find the problem, replace the power supply.

Checking the Power Supply Voltages

To check the power supply voltages, power on the instrument and connect the reference lead of a digital voltmeter to chassis ground, such as the top of the power supply.

Attach a 0.025 inch square pin to the probe tip of the other lead and insert it into a pin on one of the connectors. The pins that should be carrying voltages are listed in Table 6-5. The location of the J1 and J2 connectors is shown in Figure 6-45 on page 6-70.

Measure the power supply voltages with the voltmeter and compare each reading to the values listed in the tables. If the voltages are within about 5% of the nominal voltages, your power supply is functional.

Table 6-5: Power supply voltages

Front power distribution board (P2) and Power supply (J2)	Voltage	Rear power distribution board (P1) and Power supply (J1)	Voltage
Pins A/B/C1, 3, 5, 7, 9, 11	+3.3 V	Pins A/B/C5, 6	+12 V
Pins A/B/C13	-15 V	Pins A/B/C8, 9, 11, 12, 14, 15, 17	+5 V
Pins A/B/C15	+15 V	Pins A/B/C19, 21, 23, 25, 27, 29, 31	+3.3 V
Pins A/B/C17, 18, 20, 21, 22	-5 V	Pins B/C3 (fan voltage)	+9.8 V
Pins A/B/C24, 25, 27, 28, 30, 31	+5 V		

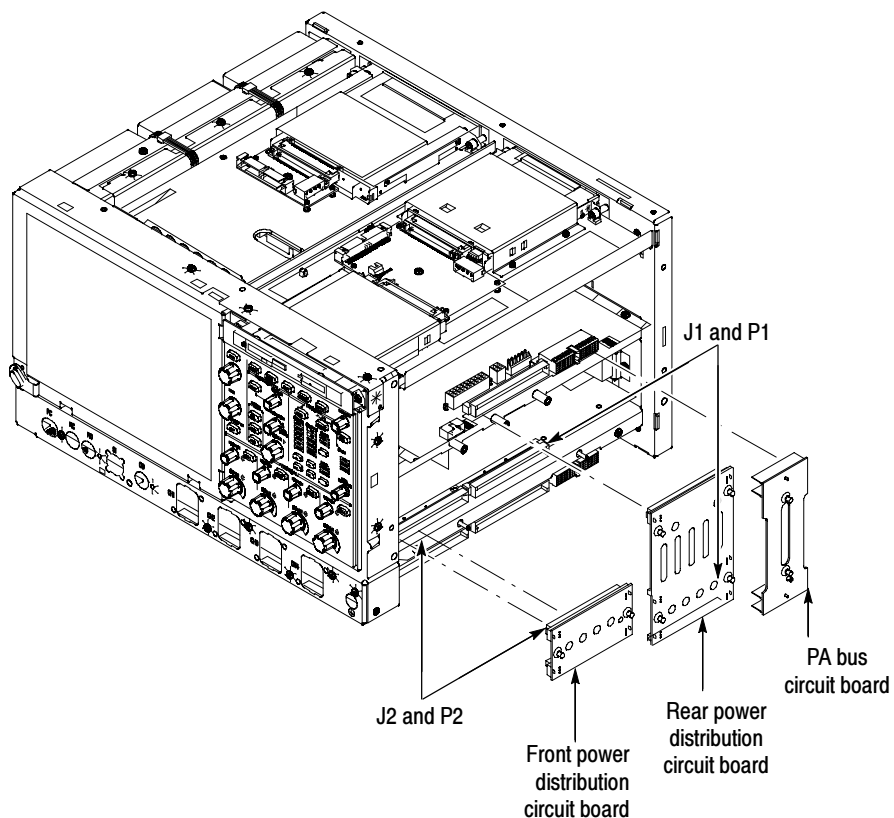


Figure 6-45: Connectors J1 and J2

If the Instrument Will Not Boot

If there is a display on the VGA port, but not on the LCD, replace the display assembly (LCD, lamps, and cable).

If the display adapter is bad, the BIOS should report it using beep codes (see Table 6-11, on page 6-81).

If nothing is displayed, is the display turned on? At boot time and while using an external monitor connected to the MicroATX external video port, press F2 to enter the BIOS setup. The Advanced Video Configuration menu lets you select PCI (LCD) or Integrated (the MicroATX VIDEO port on the rear panel). The lower VGA port on the rear panel is the PCI video port (driven by the same video controller as the LCD).

Booting Into Windows

If the instrument will not boot, run the CMOS restore utility (see Update/Restore the MicroATX Board CMOS on page 6-86).

If booting starts, finds the hard disk, but hangs displaying the Windows splash screen:

1. Select the Integrated video port using the setup menu.
2. Disable the busses and disconnect the PPC board by installing J114 and J115.
3. If the system boots (It will only boot to Windows, the instrument application will not run) to the external MicroATX video port, replace the PPC board.

If the Instrument Application Does Not Work

If the instrument boots into Windows, but the instrument application does not work (the DPO Man graphic is displayed), check the following:

1. The application software.
2. The Acquisition board.
3. The PPC board.
4. The Bridge board (try removing and reinstalling the Bridge board).
5. Did someone exit the application using the Task Manager and then try to reenter the application without rebooting?
6. Set Diagnostic Selection DIP switch 2 to off (see *Dip Switch Controls* on page 6-82 for more information), reboot; check the Diagnostic LED (see page 6-83 for more information).
7. If the relays click, the acquisition is running.
8. Check the desktop properties (right click on the desktop and select Properties). On the Settings tab, 16 bit is required. Video merge will not work with other settings. If you change the setting, reboot.

9. On the Settings tab of the desktop properties, select Advanced and then the Performance tab. Hardware Acceleration must be set to Full for video merge to work. If you change the setting, reboot.

PPC and MicroATX PC Diagnostics

The primary diagnostics for the instrument are the power-on diagnostics, the CheckIt Utilities diagnostics, and the instrument diagnostics. Procedures for running these diagnostics are described next.

Power-On Diagnostics

The power-on diagnostics check the basic functionality of the instrument at every power on. If any failures occur at power on, the screen displays the calibration and diagnostics property page. Table 6-6 lists a subset of the power on tests. Use the results of the tests to help you isolate problems to system modules.

The power on tests ensure that hardware is installed and can be accessed by the software. The tests provide limited diagnostic information, but do not provide any performance information. The instrument diagnostics provide more extensive tests than the power-on diagnostics.

The power on tests check the generic hardware including the keyboard, mouse, memory, CPU, and associated peripherals. The interrupt lines and trigger lines are also checked.

If there are no failures, you can view the results of the tests in the Instrument Diagnostics page under the Utilities menu.

Table 6-6: Power-on diagnostic tests

Component	Group & test	Error Codes	Power on	Extended
Mainframe	VTC Reset Test		✓	
	VTC Walk1 Test		✓	
	ADG Register Test		✓	
	ADG VXI Addr Test		✓	
	ADG VXI Data Test		✓	
System	Interrupt Lines		✓	✓
	Trigger Lines		✓	✓
Processor	Memory	111 DRAMWalk1 112 DRAMCell 113 DRAMMarch 114 NVRAM		✓
	PCI Bus	121 Scan Test		✓
	Registers	131 PAI		✓

Table 6-6: Power-on diagnostic tests (Cont.)

Component	Group & test	Error Codes	Power on	Extended
Display	Registers	211 Display		✓
Acquisition	Registers	311 DAC 312 Demux 313 Atten 314 Preamp 315 PLL 316 ADC		✓
	Memory	321 MemData 322 MemAddr 323 DataFormat 324 MemSpeed		✓
	Acq Modes	331 SubSample 332 PeakDetect 333 HiRes		✓
	Interrupt	341 Bit Tests		✓
	HF Step	351 PhaseCal	✓	✓
	Vertical	371 50OhmOvld 372 ADC Connects		✓
	PLL	381 Clock Freq		✓

Table 6-6: Power-on diagnostic tests (Cont.)

Component	Group & test	Error Codes	Power on	Extended
Trigger	Registers	411 GTL 412 BTL 413 DTC 414 ExtnTrg 415 AuxTrig		✓
	TrgLvlComp	421 LogicComp1 422 LogicComp2 423 LogicComp3 424 LogicComp4		✓
	GTL	431 TICounters 432 GTLBigCntrs		✓
	Serial I/O	441 Atten 442 Preamp 443 DTC 444 ExtendedTrg 445 Dacs		✓
	BTL	451 Ch1Edge 452 AfterDBE 453 AfterDBT 454 Slewrate 455 LineTrig 456 BTL		✓
	Extended	461 Glitch 462 PulseWidth 463 OptionST_ok		✓
	Nibble	471 Bus		✓
Misc	GPIB	511 Interface		✓
	Factory Cal Integrity	512 Factory Cal Data		✓
	Cal Integrity (run cal)	531 Cal Data		✓
	Factory Bank2 Integrity	541 Factory Bank2		✓

CheckIt Utilities

If the instrument passes all the BIOS tests and Windows boots, the primary tree calls for you to run CheckIt Utilities diagnostics software. CheckIt Utilities is a comprehensive diagnostic software application to check and verify the operation of the PC hardware in the instrument.

CheckIt Utilities. To run the CheckIt Utilities, you must have either a working keyboard, a pointing device (mouse), and Windows 2000 must be running. Before starting the utilities install a test floppy disk in the floppy disk drive and a test CD in the CD-ROM drive. Refer to the CheckIt Utilities online help for additional information on running the utilities. Repair or replace any failed component identified by the CheckIt Utilities.

Instrument Diagnostics. If the instrument passes all the CheckIt Utilities tests, the primary tree calls for you to run the instrument Diagnostics. The instrument Diagnostics are a comprehensive software test that checks the functionality of the instrument. If the instrument Diagnostics test fails, the instrument is defective.

To run the instrument Diagnostics, do the following steps:

1. Turn off all other applications.
2. From the menu bar, touch **Utilities** and then select **Instrument Diagnostics**.

Diagnostics

The instrument has two levels of internal diagnostics that focus on verifying, adjusting, and if need be, isolating faulty modules.

Both levels of internal diagnostics report any bad modules. If a bad module is found, replace the module.

The two levels of diagnostics are the short confidence set and the extended set that tests the instrument circuitry in depth and takes more time. At power on, the instrument automatically executes the short set. The extended set is optional and is executed by using the following procedure:

Prerequisites: Power on the instrument and allow a 20 minute warm-up before doing this procedure.

1. *Display the System diagnostics menu:*
 - a. From the menu bar, touch **Utilities** and then select **Instrument Diagnostics**.

Software Updates

Software updates are easy to do. Simply install the firmware CD in your instrument and follow the displayed instructions or the instructions that accompany the CD.

If you want to order a software update, contact your Tektronix service center.

After Repair

After removal and replacement of a module due to electrical failure, you must perform the adjustment or software update as indicated in Table 6-7.

Table 6-7: Action required for module replaced

Module replaced	Adjustment required ¹	Software update required
Front panel assembly	No	None
Acquisition board	Yes ²	None
PPC Processor board	No	Installation by Tektronix is required
MicroATX processor assembly	No	Windows, instrument application
Display panel or display system	No	None
Power supply	Yes	None
Interconnect boards	No	None
Fans	No	None
O/E Converter, CSA7000B Series	Yes	None

¹ **Adjustment must be performed by Tektronix.**

² **Replacement of this board must be performed by Tektronix.**

BIOS Error Messages

When the MicroATX board powers-on, the BIOS runs power-on-self-tests (POST) to check the board. The BIOS writes error codes to location 80h and tries to write the codes to the display. If the error is fatal, then the POST code indicates the last successful checkpoint reached. Table 6-9 lists the error messages displayed by the BIOS. Table 6-8 lists the error messages displayed by the BIOS.

Once the display is enabled, errors are written to the display as text messages. These messages are always displayed unless the board is configured for silent boot or headless (no keyboard, mouse, or display) operation.

Table 6-8: BIOS Error messages

Error message	Description
GA20 Error	Error when switching to protected mode during the memory test.
Pri Master HDD Error, Pri Slave HDD Error Sec Master HDD Error, Sec Slave HDD Error	Could not read sector.
Pri Master Drive - ATAPI Incompatible PRI Slave Drive - ATAPI Incompatible Sec Master Drive - ATAPI Incompatible Sec Slave Drive - ATAPI Incompatible	Drive not an ATAPI device. Run Setup, and maker sure device is set up correctly.
A: Drive Error	No response from drive.

Table 6-8: BIOS Error messages (Cont.)

Error message	Description
Cache Memory Bad	Memory may be bad.
CMOS Battery Low	Replace battery.
CMOS Display Type Wrong	Check Setup to make sure type is correct.
CMOS Checksum Bad	Run Setup to reset values.
CMOS Settings Wrong	Settings corrupted or the battery has failed.
CMOS Date/Time Not Set	Run Setup to correct values.
DMA Error	Error during read/write test of controller.
FDC Failure	Error while trying to access controller.
HDC Failure	Error while trying to access controller.
Checking NVRAM. . . .	NVRAM is being checked.
Update OK!	Invalid NVRAM has been updated.
Updated Failed	Unable to update invalid NVRAM.
Keyboard Error	Make sure keyboard is connected properly.
KB/Interface Error	Keyboard test failed.
Memory Size Decreased	If no memory was removed, the memory may be bad.
Memory Size Increased	If no memory was added, system may have a problem.
Memory Size Changed	If no memory was added or removed, the memory may be bad.
No Boot Device Available	Boot device not found.
Off Board Parity Error	Parity error occurred on an off-board card.
On Board Parity Error	Parity error occurred in on-board memory.
Parity Error	Error occurred in on-board memory at an unknown address.
NVRAM/CMOS/PASSWORD cleared by Jumper	Turn off power and remove the jumper.
<CTRL_N> Pressed	CMOS is ignored and NVRAM is cleared. Enter Setup.

Table 6-9: POST codes

Displayed error code	Error message	Displayed error code	Error message
00h	Copying of code to specific area done.	62h	DMA#1 base register test passed.
03h	NMI is Disabled. To check soft reset/power-on.	65h	DMA#2 base register test passed.
05h	BIOS stack set. Going to disable cache if any.	66h	DMA unit 1 and 2 programming over.
06h	POST code to be uncompressed.	7Fh	Extended NMI sources enabling is in progress.

Table 6-9: POST codes (Cont.)

Displayed error code	Error message	Displayed error code	Error message
07h	CPU initialization and CPU data area initialization to be done.	80h	Keyboard test started. Clearing output buffer, checking for stuck key, to issue keyboard reset command.
08h	CMOS checksum calculation to be done next.	81h	Keyboard reset error/stuck key found.
0Bh	Any initialization before keyboard BAT to be done next.	82h	Keyboard controller interface test over.
0Ch	KB controller I/B free. To issue the BAT command to keyboard controller.	83h	Command byte written, global data initialization done.
0Eh	Any initialization after KB controller BAT to be done next.	84h	Lock-key checking over.
0Fh	Keyboard command byte to be written.	85h	Memory size check done.
10h	Going to issue Pin-23,24 blocking/unblocking command.	86h	Password checked.
11h	Going to check pressing of <INS>, <END> key during power-on.	87h	Programming before setup complete.
12h	To initialization CMOS if "Init CMOS in every boot" is set or <END> key is pressed. Going to disable DMA and Interrupt controllers.	88h	Returned from CMOS setup program and screen is cleared.
13h	Video display is disabled and port-B is initialized. Chipset initialization about to begin.	89h	Programming after setup complete.
14h	8254 timer test about to start.	8Bh	First screen message displayed. <WAIT .> message displayed.
19h	About to start memory refresh test.	8Ch	Setup options programming after CMOS setup about to start.
1Ah	Memory Refresh line is toggling. Going to check 15 μ s ON/OFF time.	8Dh	Going for hard disk controller reset.
23h	To read 8042 input port and disable Megakey GreenPC feature. Make BIOS code segment writable.	8Fh	Hard disk controller reset done.
24h	To do any setup before Int vector initialization.	91h	Floppy setup complete.
25h	Interrupt vector initialization to begin. To clear password if necessary.	95h	Init of different buses optional ROMs from C800 to start.
27h	Any initialization before setting video mode to be done.	96h	Going to do any initialization before C800 optional ROM control.
28h	Going for monochrome mode and color mode setting.	97h	Any initialization before C800 optional ROM control is over.
2Ah	Different buses initialization (system, static, output devices) to start if present.	98h	Optional ROM control is done.
2Bh	To give control for any setup required before optional video ROM check.	99h	Initialization required after optional ROM test over.

Table 6-9: POST codes (Cont.)

Displayed error code	Error message	Displayed error code	Error message
2Ch	To look for optional video ROM and give control.	9Ah	Return after setting timer and printer base address.
2Dh	To give control to processing after video ROM returns control.	9Bh	Returned after RS-232 base address.
2Eh	If EGA/VGA not found then do display memory R/W test.	9Ch	Required initialization before Coprocessor is over.
2Fh	EGA/VGA not found.	9Dh	Coprocessor initialized.
30h	Display memory R/W test passed.	9Eh	Initialization after Coprocessor test is complete.
31h	Display memory R/W test or retrace checking failed.	A2h	Going to display any soft errors.
32h	Alternate Display memory R/W test passed.	A3h	Soft error display complete.
34h	Video display checking over.	A4h	Keyboard typematic rate set.
37h	Display mode set. Going to display the power-on message.	A5h	Going to enable parity/NMI.
38h	Different buses initialization (input, IPL, general devices) to start if present.	A7h	NMI and parity enabled.
39h	Display different buses initialization error messages.	A8h	Initialization before E000 ROM control over.
3Ah	New cursor position read and saved. To display the Hit message.	A9h	Returned from E000 ROM control.
40h	To prepare the descriptor tables.	AAh	Initialization after E000 optional ROM control is over.
42h	To enter virtual mode for memory test.	ABh	Put INT13 module runtime image to shadow.
43h	To enable interrupts for diagnostics mode.	ACH	Generate MP for multiprocessor support (if present).
44h	To initialize data to check memory wrap around at 0:0.	ADh	Put CGA INT10 module (if present) in Shadow.
45h	Data initialized.	AEh	Uncompress SMBIOS module and initialization SMBIOS code and form the runtime SMBIOS image in shadow.
46h	Memory wrap around test done. Memory size calculation over.	B1h	Going to copy any code to specific area.
47h	Test pattern written in extended memory.	D0h	NMI is Disabled. On-board KBC, RTC enabled (if present). Initialization code Checksum verification starting.
48h	Patterns written in base memory.	D1h	Keyboard controller BAT test, CPU ID saved, and going to 4 GB flat mode.
49h	Amount of memory below 1M found and verified.	D3h	Do necessary chipset initialization, start memory refresh, and do memory sizing.

Table 6-9: POST codes (Cont.)

Displayed error code	Error message	Displayed error code	Error message
4Bh	Amount of memory above 1M found and verified. (If power on, go to check point 4Eh).	D4h	Verify base memory.
4Ch	Memory below 1M cleared. (SOFT RESET)	D5h	Copy initialization code to segment 0 and transfer control to segment 0.
4Dh	Memory above 1M cleared. (SOFT RESET) Going to save the memory size. (Go to check point # 52h).	D6h	Control is in segment 0. To check recovery mode and verify main BIOS checksum. If either it is recovery mode or the main BIOS checksum is bad, go to check point E0 for recovery, else go to check point D7 for giving control to main BIOS.
4Eh	Memory test started. (NOT SOFT RESET)	D7h	Find Main BIOS module in ROM image.
4Fh	Memory size display started. This will be updated during memory test. Going for sequential and random memory test.	D8h	Uncompress the main BIOS module.
50h	Memory testing/initialization below 1M complete.	D9h	Copy main BIOS image to F000 shadow RAM and give control to main BIOS in F000 shadow RAM.
51h	Memory size display adjusted due to relocation/shadow.	E0h	On-board Floppy Controller is initialized. Compressed recovery code is uncompressed in F000:0000 in Shadow RAM and give control to recovery code in F000 Shadow RAM. Initialize interrupt vector tables, initialize system timer, initialize DMA controller and interrupt controller.
52h	Memory testing/initialization above 1M complete.	E8h	Initialize extra (Intel Recovery) Module.
53h	Memory size information is saved. CPU registers are saved.	E9h	Initialize floppy drive.
54h	Shutdown successful, CPU in real mode.	EAh	Try to boot from floppy. If reading of boot sector is successful, give control to boot sector code.
57h	A20 address line, parity/NMI disable successful.	EBh	Booting from floppy failed, look for ATAPI (LS-120, Zip) devices.
58h	Memory size adjusted for relocation/shadow.	ECh	Try to boot from ATAPI. If reading of boot sector is successful, give control to boot sector code.
59h	Hit message cleared. <WAIT .> message displayed.	EFh	Booting from floppy and ATAPI device failed. Give two beeps. Retry the booting procedure again; go to check point E9).
60h	DMA page register test passed.		

While control is inside the different bus routines, additional checkpoints are output to port 80h to identify the routines. In these checkpoints, the low byte of the checkpoint is the system BIOS checkpoint from which the control is passed to the different bus routines. The high byte of the checkpoint indicates which routine is being executed. Table 6-10 describes which function being executed.

Table 6-10: Different bus routines upper-nibble high-byte functions

Value	Description
0	Function 0, disable all devices on the bus.
1	Function 1, static devices initialization on the bus.
2	Function 2, output device initialization on the bus.
3	Function 3, input device initialization on the bus.
4	Function 4, IPL device initialization on the bus.
5	Function 5, general device initialization on the bus.
6	Function 6, error reporting for the bus.
7	Function 7, add-on ROM initialization for all buses.

BIOS Beep Codes

When the MicroATX board powers-on a number of the BIOS checkpoints generate an audible 'beep' code on failure using the standard PC speaker (also routed through the board audio system). The beep codes are listed in Table 6-11. Codes are also written to I/O port 80h and the video adapters. External ROM modules may issue a series of tones on error detection.

The BIOS generates one short beep if the power up self tests complete with out error.

If your instrument does not contain a speaker, attach a speaker to the display-adaptor board square pins to hear the codes.

Table 6-11: Beep codes

Beep code	Error message
1	Refresh failure
2	Cannot reset parity
3	Memory failure, first 64 KB
4	Timer failure
5	Not used
6	Cannot toggle 8042 GateA20
7	Exception interrupt error
8	Display memory R/W error
9	Not used
10	CMOS Shutdown register test error

Table 6- 11: Beep codes (Cont.)

Beep code	Error message
11	Invalid BIOS
1 long, 1 short	Video configuration failure, or external ROM module checksum error

Dip Switch Controls

Dip switches are used to direct program flow during power on self test (POST). A switch set to ON is closed and presents a low state (0 V) to the switch buffer. This is the default switch position. A switch set to OFF is open and presents a high state (3.3 V) to the switch buffer. This is the 'set' position. Table 6-12 describes the switch functions.

Table 6- 12: DIP switch functions

Switch	Test option		Description
	Default	Set	
1	1 Meg RAM test	32 Meg RAM test	POST does not know how much DRAM is installed in the board.
2	Enable phase 2 POST	Disable phase 2 POST	Use to disable phase 2 of POST.
3	Do not loop on phase 2 POST	Loop on entire phase 2 POST	This switch is checked at every loop iteration, so it is possible to break out of this loop by moving switch 3 to the default position. You can not loop on a single passing test.
4	Allow debug output	Suppress debug output	Used by the console. Checked at every write operation.
5	Loop on failing test	Continue past failing test	If a test fails (except DRAM march test) and switch 6 is set, this switch is checked. You can break out of the loop by moving switch 5 to the set position, removing the fault, or by setting switch 6 to the default position.
6	Stop on failing test	Continue past failing test	If set and a test fails, the program checks switch 5. If not set, the program will stop on a failure by branching to a loop. To exit the loop, reset the power PC.
7	Do not cycle application diagnostics	Application diagnostic cycle	If set, the power-on diagnostics cycle, which prevents completion of the boot sequence.
8	Do not force power-up diagnostics	Forces power-up diagnostics	At power-on this switch is checked, and if set, power-up diagnostics will run.

Diagnostic LED

Table 6-13 lists the actions performed at power-up of the power pc (PPC) and the associated display on the diagnostic LED. Until the MPC106 is initialized the LED is not active. RESET forces the display to .8. H, L, P, and a blinking - indicate where the program is in the power-up sequence. As tests occur, the associated number is displayed on the LED. A failing test displays a decimal point and the test number.

Table 6-13: Diagnostic LED

LED	Diagnostic status		
	Passed test	Testing	Test method
.8		MPC740 initialization, MPC106 walking one test, or MPC106 configuration test	Walk a one through configuration register. Use addresses FEC00000 and FEE00000. A one is walked through the lower data bus. Requests the vendor identifier. Use addresses FEC00000 and FEE00000. Vendor identifier data is presented on the lower data bus. Data 0x0face106 is written to the MPC740 register gpr2 if the correct vendor identifier is returned. If the incorrect identifier is returned, data 0x01bad106 is written to the register.
0	MPC740 initialization, MPC106 walking one test, or MPC106 configuration test	First PCI access test and UART initialize	This is not a pass/fail test, only an attempt to read the PCI bus. Read the configuration space of the SIO. The SIO should return the vendor/device identifier (0x00021057), within MPC740 gpr2 register. No data comparison or fault determination occurs. DIP switches are not checked. Set UART to 9600, n, 8, 1. No testing or fault reporting is performed. Once completed, console is usable. Dip switches are not checked.
1	First PCI access test and UART initialize	PC87560 walking-one	Walk a one through the configuration register. Walk a one through the AD bus.
2	PC87560 walking-one	PC87560 configuration	Request vendor/device identifier. Data 0x0face560 is written to MPC740 register gpr6 if correct identifier is returned. If incorrect identifier is returned, data 0x01bad560 is written to MPC740 register gpr6.
3	PC87560 configuration	DEC21554 configuration	Request vendor/device identifier. Data 0x0face215 is written to MPC740 register gpr6 if correct identifier is returned. If incorrect identifier is returned, data 0x01bad215 is written to MPC740 register gpr6.
4	DEC21554 configuration	RS232 interface test	Send UUUUUUUU (55hex, 1010101 binary) to console.
5	RS232 interface test	ROM checksum	Calculate device checksum and compare with checksum in ROM.
6	ROM checksum	DRAM cell test with cache	Test address lines. Write patterns to address range set by switch 1. From start address (00000000) to end address, write hex pattern aaaaaaaa. Repeat for hex patterns cccccccc and f0f0f0.

Table 6- 13: Diagnostic LED (Cont.)

LED	Passed test	Testing	Test method
7	DRAM cell test with cache	DRAM march test with out cache	DRAM march test. Test data lines. Write to address range set by switch 1. Cache is disabled.
8	DRAM march test with out cache	DRAM march test with cache	Test data lines. Write to address range set by switch 1.
9	DRAM march test with cache	DRAM walking one	Test data lines. Walk a one through DRAM memory location. Cache is disabled. Walk a one through buss MEM_DL.
A	DRAM walking one	NVRAM walking one	Walk a one through NVRAM memory location. Cache is disabled. Walk a one through bus XPC_ISA_D.
H	POST passed		
L		Boot parameters loaded and waiting for host	Program has loaded boot parameters and is waiting to connect to host.
P		Loading files from host	Program has connected to host and is loading instrument files.
—	Load process complete		Files have completed loading.

Troubleshooting Using Reset Circuits

The Power PC (PPC) board uses a combination of removable jumpers and surface mount resistors to manipulate circuit reset for troubleshooting.

There are three PCI busses on the PPC board, the MicroATX primary PCI bus, L2 PCI bus, and the embedded PPC PCI bus. A hardware fault on any of these busses can prevent Windows from starting properly.

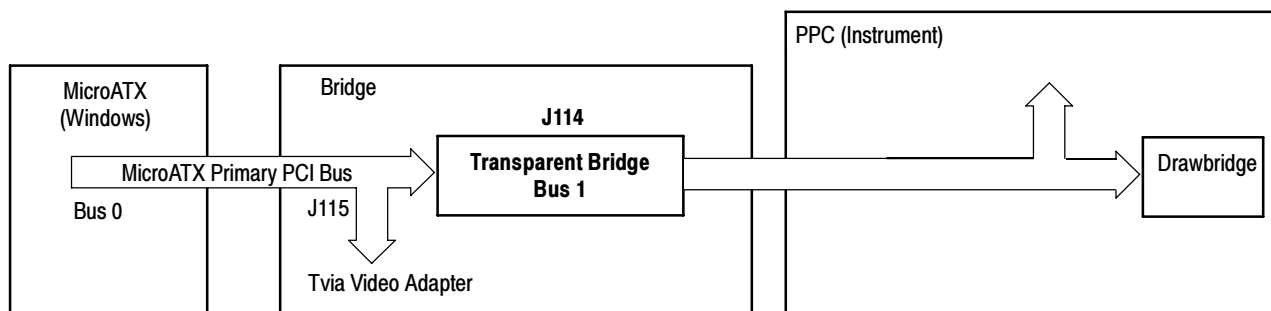


Figure 6- 46: The three PCI busses

Using jumpers J114 and J115 (see Figure 6-48 on page 6-86) you can selectively remove components from the MicroATX primary PCI bus. This is useful when Windows will not start. The Bridge board components on the MicroATX primary PCI bus are the Intel 21152 transparent bridge, and the Tvia CP5202 video adapter.

Installing J114 forces the transparent bridge, all components on the L2 PCI bus, and all components on the PPC PCI bus into reset. If this allows Windows to start, you will need to eliminate the PPC PCI bus. The easiest way to force the PPC PCI bus into reset is to press and hold the PPC reset button, S100. So, adding jumper J114, and holding the reset button, determine if the instrument will boot to Windows.

Installing J115 removes the Tvia video adapter from the Windows side. Note, neither the Bridge board VGA port or the LCD will function if J115 is installed. Use the MicroATX VIDEO port (see Figure 6-47).

NOTE. *The Tvia video adapter located on the Bridge board is the primary video adapter. A second video adapter is located on the MicroATX board. The second adapter is an Integrated MicroATX video adapter and the Tvia video adapter is a PCI bus video adapter. The Tvia adapter is made the primary video adapter because it can drive LCD panels. Tektronix forces the Tvia adapter to be the primary video adapter via BIOS setting Advance→ Video Configuration→ Primary Video Adapter = PCI.*

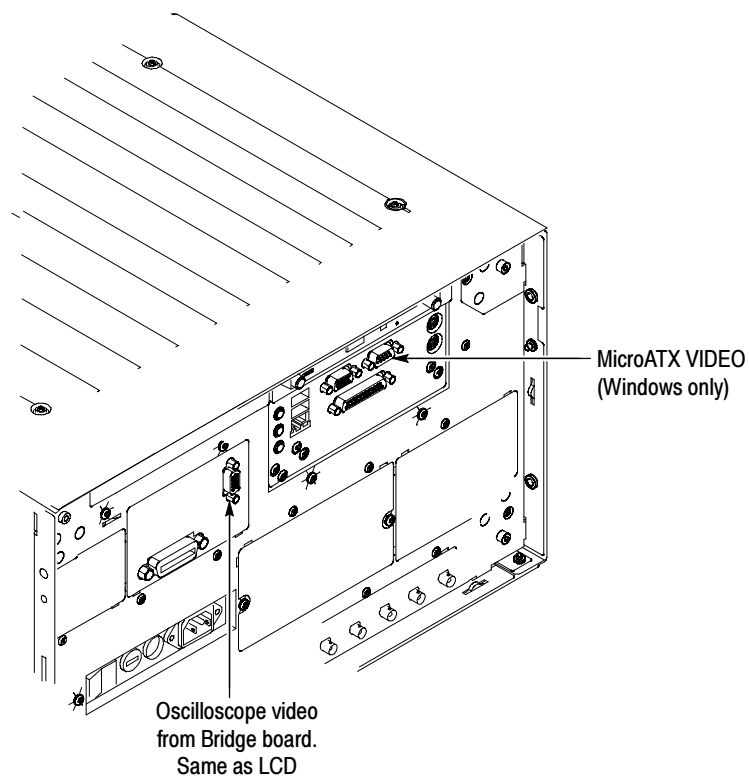


Figure 6-47: PCI and MicroATX video connectors

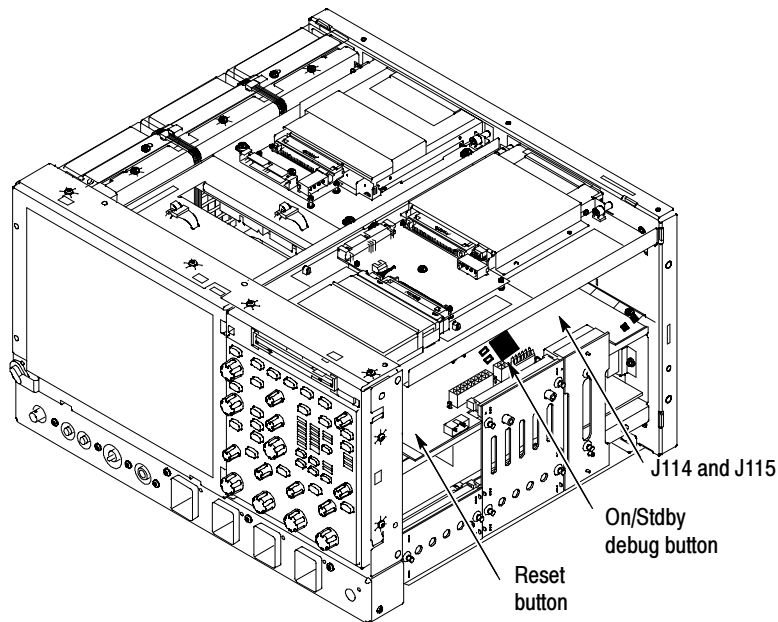


Figure 6- 48: Location of jumpers and reset button

Update/Restore the MicroATX Board CMOS

If the CMOS parameters become corrupted, restore the CMOS memory using one of the following procedures:



CAUTION. Only install CMOS parameters from Tektronix. CMOS parameters from other manufactures may make your instrument inoperable.

If you cannot restore the CMOS memory, replace the battery.

Restore the CMOS as follows:

1. Press the **F2** key during reboot to enter the BIOS SETUP UTILITY.
2. In the BIOS SETUP UTILITY, press the **F9** key.
3. Press the **Enter** key to Load Optimal Defaults.
4. In the BIOS SETUP UTILITY, press the **F10** key.
5. Press the **Enter** key to Save configuration changes and exit.

Installing an Authorization Key

If you replace your PPC board or add a new options, you must install a new authorization key. Install the authorization key using the following procedure:

1. From the instrument menu bar, touch the **Utilities** menu, select **Option Installation**, and then touch **Continue**.
2. Enter the new key using an attached keyboard.
3. Touch **Continue**.

Hard Disk Drive Maintenance

Use the same procedures to maintain the instrument hard disk drive that you use to maintain a hard disk drive in a personal computer.

Using ScanDisk, attempt to fix the disk without destroying data on the disk. To use ScanDisk, perform the following steps:

1. Remove the hard disk drive from the instrument.
2. Install the hard disk drive into a personal computer.
3. Power up the computer and run ScanDisk. Set Scandisk to perform a thorough surface scan and to automatically fix errors.
 - Using Microsoft Windows 2000: select My Computer\File\Properties\Tools\Error-checking
 - Using Microsoft MSDOS: enter `SCANDISK drive: /SURFACE /AUTOFIX`
4. If ScanDisk will not repair the disk, format the hard disk drive using the File Utilities Format command. Format will destroy all data currently on the disk.
5. If reformatting the hard disk and reloading the software will not repair the disk, install a new hard disk drive.

Repackaging Instructions

This section contains the information needed to repack the instrument for shipment or storage.

Packaging

When repacking the instrument for shipment, use the original packaging. If the packaging is unavailable or unfit for use, contact your local Tektronix representative to obtain new packaging.

Seal the shipping carton with an industrial stapler or strapping tape.

Shipping to the Service Center

Contact the Service Center to get an RMA (return material authorization) number, and any return or shipping information you may need.

If the instrument is being shipped to a Tektronix Service Center, enclose the following information:

- The RMA number.
- The owner's address.
- Name and phone number of a contact person.
- Type and serial number of the instrument.
- Reason for returning.
- A complete description of the service required.

Mark the address of the Tektronix Service Center and the return address on the shipping carton in two prominent locations.



Options

Options

This section lists the standard and optional accessories available for the instrument, as well as the product options.

Options

The following options can be ordered for the instrument:

Table 7-1: Options

Option	Description	TDS7704B	CSA7404B	TDS7404B	TDS7254B	TDS7154B
1K	K4000 Instrument Cart	✓	✓	✓	✓	✓
1R	Rack Mount Kit (includes: hardware and instructions for converting to rackmount configuration)	✓	✓	✓	✓	✓
FHD	Front-panel removable hard disk drive. Floppy disk drive is on the rear panel	✓	✓	✓	✓	✓
Acquisition memory						
2M	Long record length: 2 Ms per channel, 8 Ms maximum	✓	✓	✓	✓	✓
3M	Long record length: 4 Ms per channel, 16 Ms maximum	✓	✓	✓	✓	✓
4M	Long record length: 8 M per channel, 32 Ms maximum	✓	✓	✓	✓	✓
5M	Long record length: 16 M per channel, 64 Ms maximum	✓	✓	✓	✓	✓
Power cords						
A0	North American 115 V, 60 Hz power cord (standard)	✓	✓	✓	✓	✓
A1	Universal European 230 V, 50 Hz power cord	✓	✓	✓	✓	✓
A2	United Kingdom 230 V, 50 Hz power cord	✓	✓	✓	✓	✓
A3	Australian 230 V, 50 Hz power cord	✓	✓	✓	✓	✓
A5	Switzerland 230 V, 50 Hz power cord	✓	✓	✓	✓	✓
A6	Japan power cord	✓	✓	✓	✓	✓
A10	China 230 V, 50 Hz power cord	✓	✓	✓	✓	✓
A99	No power cord	✓	✓	✓	✓	✓
Software applications						
DVI	TDSDVI DVI compliance test application	✓	✓	✓	✓	
DVD	TDSDVD Optical storage analysis application	✓	✓	✓	✓	✓
ET3	TDSET3 Ethernet compliance test application	✓	✓	✓	✓	✓
J2	TDSDDM2 Disk Drive Measurements application	✓	✓	✓	✓	✓

Table 7- 1: Options (Cont.)

Option	Description	TDS7704B	CSA7404B	TDS7404B	TDS7254B	TDS7154B
J3E	TDSJIT3 Essentials application	✓	✓	✓	✓	✓
JT3	TDSJIT3 Advanced Jitter Analysis application with random and deterministic jitter analysis	✓	✓	✓	✓	✓
CP2	TDSCPM2 Compliance Testing for ITU-T G.703 and ANSI T1.102 communications standards (Requires Option SM)	✓	✓	✓	✓	✓
PW3	TDSPWR3 Power measurement and analysis application. Option 3M and a TCA-1MEG buffer amplifier recommended for use with this software	✓	✓	✓	✓	✓
RTE	Serial Data Compliance and Analysis application	✓	✓	✓	✓	✓
PCE	PCI Express Compliance Module for Option RTE (Requires Option RTE)	✓	✓	✓		
IBA	INFINIBand Compliance Module for Option RTE (Requires Option RTE)	✓	✓	✓		
USB	USB2 Compliance Testing Software for USB1.0/USB2.0 standards (requires TDSUSBF USB test fixture)	✓	✓	✓	✓	✓
SM	Serial Communications Mask Testing (Standard on CSA7000B Series)	✓		✓	✓	✓
ST	Serial Pattern Triggering (Standard on CSA7000B Series)	✓		✓	✓	✓
TC1	Add one TCA-1MEG TekConnect high-impedance buffer amplifier				✓	✓
Field upgrades						
CSA7BUP	Many are available. Contact Tektronix (see the back of the title page) for a complete list of available CSA7UP options.		✓			
TDS7BUP	Many are available. Contact Tektronix (see the back of the title page) for a complete list of available TDS7UP options.	✓		✓	✓	✓
Service offerings						
C1	Calibration services extended to cover one year	✓	✓	✓	✓	✓
C3	Calibration services extended to cover three years	✓	✓	✓	✓	✓
C5	Calibration services extended to cover five years	✓	✓	✓	✓	✓
D1	Calibration data report	✓	✓	✓	✓	✓
D3	Test Data for calibration services in Opt. C3	✓	✓	✓	✓	✓
D5	Test Data for calibration services in Opt. C5	✓	✓	✓	✓	✓
R1	Repair warranty extended to cover one year	✓	✓	✓	✓	✓
R3	Repair warranty extended to cover three years	✓	✓	✓	✓	✓
R5	Repair warranty extended to cover five years	✓	✓	✓	✓	✓

Accessories

This section lists the standard and optional accessories available for this instrument.

Standard The following accessories are shipped with the instrument:

Table 7-2: Standard accessories

Accessory	Part number
Graphical Packing List	071-1231-xx
User Manual	071-1226-xx
Reference Kit	020-2519-xx
Product Software CD CSA7404B, TDS7404B, TDS7254B, & TDS7154B TDS7704B	063-3632-xx 063-3633-xx
Operating System Restore CD	020-2569-xx
Oscilloscope Analysis and Connectivity Made Easy	020-2449-xx
Optional Applications Software CD and Documentation Kit	020-2450-xx
Getting Started with OpenChoice™ Solutions Kit	020-2513-xx
Option SM and ST User Manual	071-1228-xx
Online Help (part of the application software)	—
Performance Verification (a pdf file on the Product Software CD)	—
Programmer Online Guide (files on the Product Software CD)	—
NIST, Z540-1, and ISO9000 Calibration Certificate	—
Four TekConnect-to-SMA adapters, TDS7704B, CSA7404B, & TDS7404B	TCA-SMA
Four TekConnect-to-BNC adapters, TDS7254B & TDS7154B	TCA-BNC
Two TekConnect high-impedance buffer amplifiers, includes 2 P6139A 500 MHz 10x passive probes, TDS7254B & TDS7154B	TCA-1MEG
Adapters, CSA7404B O/E Electrical Out-to-CH1 Input adapter (Tektronix part number 013-0327-xx) O/E-to-SMA adapter (Tektronix part number 013-0326-xx)	020-2423-xx
U.S. Power Cord	161-0104-00
Mouse, optical	119-6936-xx
Keyboard, USB	119-B146-xx
Front Cover	200-4653-xx
Accessory Pouch	016-1441-xx

Table 7-2: Standard accessories (Cont.)

Accessory	Part number
Probe Calibration and Deskew Fixture, with instructions CSA7404B, TDS7404B, TDS7254B, & TDS7154B TDS7704B, TDS7404B, & CSA7404B	067-0405-xx 067-0484-xx
Fiber cleaning kit, CSA7404B	020-2494-xx
FC/PC UCI adapter, installed, CSA7404B	119-4516-xx
Click'N Burn Software CD	063-3575-xx

Optional

The accessories in Table 7-3 are orderable for use with the instrument at the time this manual was originally published. Consult a current Tektronix catalog for additions, changes, and details.

Table 7-3: Optional accessories

Accessory	Part number
Service Manual	071-1227-xx
Transit Case	016-1522-xx
Scope Cart	K4000 (Option 1K)
P6158 20x 1 k Ω low capacitance voltage divider probe ¹	P6158
P6245 1.5 GHz high speed active probe ¹	P6245
P6248 1.5 GHz differential probe ¹	P6248
P7240 active 4 GHz probe	P7240
P7260 active 6 GHz probe, TDS7704B	P7260
P7330 differential 3.5 GHz probe	P7330
P7350 differential 5 GHz probe	P7350
P7380SMA >8 GHz Differential acquisition system with SMA Inputs	P7380SMA
P6139A 500 MHz passive 10x probe ¹	P6139A
P6243 1 GHz high speed active probe ¹	P6243
P6246 400 MHz differential probe ¹	P6246
P6247 1 GHz differential probe ¹	P6247
P6249 4 GHz differential probe ¹	P6249
P6330 differential 3 GHz probe ¹	P6330
TCP202 DC to 50 MHz current probe ¹	TCP202
P5205 high voltage differential probe ¹	P5205
P5210 high voltage differential probe ¹	P5210

Table 7-3: Optional accessories (Cont.)

Accessory	Part number
P6015A high voltage probe ¹	P6015A
ADA400A differential preamplifier ¹	ADA400A
CT1 1 GHz current probe ¹	CT1
CT6 2 GHz current probe ¹	CT6
AM503S DC/AC current measurement system ¹	AM503S
P7260 6 GHz 5X/25X active probe	P7260
P6150 9 GHz/3 GHz low capacitance divider probe ¹	P6150
P6701B optical/electrical converter (500 to 950 nm) ¹	P6701A/B
P6703B optical/electrical converter (1100 to 1650 nm) ¹	P6703A/B
AFTDS Telecomm differential electrical interface adapter (for line rates <8 Mb/s; requires TCA-BNC adapter) ¹	AFTDS
TDSUSBF USB test fixture; used with Option USB	TDSUBF
AMT75 1 GHz 75 Ω ohm adapter ¹	AMT75
TekConnect-to-SMA adapter	TCA-SMA
TekConnect-to-BNC adapter	TCA-BNC
TekConnect-to-N adapter	TCA-N
TekConnect high-impedance buffer amplifier, 500 MHz 1 M Ω BNC-to-TekConnect adapter (includes one P6139A probe)	TCA-1MEG
TekConnect adapter, 4 GHz, 75 Ω to 50 Ω adapter with 75 Ω BNC input	
WSTRO WaveStar Software	WSTRO
GPIB cable (1 m)	012-0991-01
GPIB cable (2 m)	012-0991-00
RS-232 cable	012-1298-xx
USB Keyboard	119-6633-xx
Centronics cable	012-1214-xx
Replacement hard disk	650-4271-xx

Table 7-3: Optional accessories (Cont.)

Accessory	Part number
Optical Connector Adapters, CSA7404B	
FC/PC	119-5115-00
SC/PC	119-5116-00
ST/PC	119-4513-00
DIN/PC 47256	119-4546-00
Diamond 2.5	119-4556-00
Diamond 3.5	119-4558-00
SMA 2.5	119-4517-00
SMA	119-4557-00
Dust cap, optical, CSA7404B	200-4104-00

¹ **Requires TCA-BNC TekConnect BNC adapter**

NOTE. *The P6339A probe is not supported by this instrument.*



Replaceable Electrical Parts

Electrical Parts List

The modules that make up this instrument are often a combination of mechanical and electrical subparts. Therefore, all replaceable modules are listed in Section 10, *Mechanical Parts List*. Refer to that section for part numbers when using this manual.



Diagrams

Diagrams

This section describes the electrical operation of the instrument and modules using the major circuit blocks or modules. Figure 9-1 on page 9-2 shows the instrument module interconnections.

Symbols

Graphic symbols and class designation letters are based on ANSI Standard Y32.2-1975. Abbreviations are based on ANSI Y1.1-1972.

Logic symbology is based on ANSI/IEEE Std 91-1984 in terms of positive logic. Logic symbols depict the logic function performed and can differ from the manufacturer's data.

The tilde (~) preceding a signal name indicates that the signal performs its intended function when in the low state.

Other standards used in the preparation of diagrams by Tektronix, Inc. are:

- Tektronix Standard 062-2476 Symbols and Practices for Schematic Drafting
- ANSI Y14.159-1971 Interconnection Diagrams
- ANSI Y32.16-1975 Reference Designations for Electronic Equipment
- MIL-HDBK-63038-1A Military Standard Technical Manual Writing Handbook



Replaceable Mechanical Parts

Mechanical Parts List

This section contains a list of the replaceable modules for the instrument. Use this list to identify and order replacement parts.

Parts Ordering Information

Replacement parts are available through your local Tektronix field office or representative.

Changes to Tektronix instruments are sometimes made to accommodate improved components as they become available and to give you the benefit of the latest circuit improvements. Therefore, when ordering parts, it is important to include the following information in your order.

- Part number
- Instrument type or model number
- Instrument serial number
- Instrument modification number, if applicable

If you order a part that has been replaced with a different or improved part, your local Tektronix field office or representative will contact you concerning any change in part number.

Module Servicing

Modules can be serviced by selecting one of the following three options. Contact your local Tektronix service center or representative for repair assistance.

Module Exchange. In some cases you may exchange your module for a remanufactured module. These modules cost significantly less than new modules and meet the same factory specifications. For more information about the module exchange program, call 1-800-833-9200, select option 2.

Module Repair and Return. You may ship your module to us for repair, after which we will return it to you.

New Modules. You may purchase replacement modules in the same way as other replacement parts.

Using the Replaceable Parts List

This section contains a list of the mechanical and/or electrical components that are replaceable for the instrument. Use this list to identify and order replacement parts. The following table describes each column in the parts list.

Parts list column descriptions

Column	Column name	Description
1	Figure & Index Number	Items in this section are referenced by component number.
2	Tektronix Part Number	Use this part number when ordering replacement parts from Tektronix.
3 and 4	Serial Number	Column three indicates the serial number at which the part was first effective. Column four indicates the serial number at which the part was discontinued. No entries indicates the part is good for all serial numbers.
5	Qty	This indicates the quantity of parts used.
6	Name & Description	An item name is separated from the description by a colon (:). Because of space limitations, an item name may sometimes appear as incomplete. Use the U.S. Federal Catalog handbook H6-1 for further item name identification.
7	Mfr. Code	This indicates the code of the actual manufacturer of the part. (Code to name and address cross reference is located after this page.)
8	Mfr. Part Number	This indicates the actual manufacturer's or vendor's part number.

Abbreviations

Abbreviations conform to American National Standard ANSI Y1.1-1972.

Mfr. Code to Manufacturer Cross Index

The following table cross indexes codes, names, and addresses of manufacturers or vendors of components listed in the parts list.

Manufacturers cross index

Mfr. code	Manufacturer	Address	City, state, zip code
	MICROSOFT	POSTFACH 13 44	PUCHHEIM, DE 82169
	RICHCO	5825 N TRIPP AVE~PO BOX 804238	CHICAGO, IL US 60646
	TENSOLITE COMPANY	3000 COLUMBIA HOUSE BLVD~SUITE 120	VANCOUVER, WA US 98661
	XEROX BUSINESS SERVICES	NW DTC~7431 NW Evergreen Pkwy	HILLSBORO, OR US 97124
00779	TYCO ELECTRONICS CORPORATION	CUSTOMER SERVICE DEPT~PO BOX 3608~M/S 38-35	HARRISBURG, PA 17105-3608
01963	CHERRY ELECTRICAL PRODUCTS CO	3600 SUNSET AVENUE	WAUKEGAN, IL 60087-3214
060D9	TENSOLITE COMPANY	PRECISION HARNESS AND ASSEMBLY~3000 COLUMBIA HOUSE BLVD~#120	VANCOUVER, WA 98661
060D9	TENSOLITE COMPANY	PRECISION HARNESS AND ASSEMBLY~3000 COLUMBIA HOUSE BLVD~#120	VANCOUVER, WA 98661
06383	PANDUIT CORP	17303 RIDGELAND AVE	TINLEY PARK, IL 60477-3048

Manufacturers cross index (cont.)

Mfr. code	Manufacturer	Address	City, state, zip code
06915	RICHCO	5825 N TRIPP AVE~P.O. BOX 804238	CHICAGO, IL 60646
0B445	ELECTRI-CORD MFG CO INC	312 EAST MAIN STREET	WESTFIELD, PA 16950
0KB01	STAUFFER SUPPLY CO	810 SE SHERMAN	PORTLAND, OR 97214-4657
0KB01	STAUFFER SUPPLY CO	810 SE SHERMAN	PORTLAND, OR 97214-4657
0KB05	NORTH STAR NAMEPLATE INC	LABEL PRODUCTS~5750 NE MOORE COURT	HILLSBORO, OR 97124-6474
0KB05	NORTH STAR NAMEPLATE INC	LABEL PRODUCTS~5750 NE MOORE COURT	HILLSBORO, OR 97124-6474
12136	PHC INDUSTRIES INC	1643 HADDON AVE	CAMDEN, NJ 08103
1DM20	PARLEX CORP	ONE PARLEX PLACE	METHUEN, MA 01844
1WNNW6	ACCRA-FAB INC	23201 E APPLEWAY	LIBERTY LAKE, WA 99019
22670	GM NAMEPLATE INCORPORATED	2040 15TH AVE WEST	SEATTLE, WA 98119-2783
22670	GM NAMEPLATE INCORPORATED	2040 15TH AVE WEST	SEATTLE, WA 98119-2783
26003	MARTEK POWER MDI	4115 SPENCER STREET	TORRANCE, CA 90503-2489
2K262	BOYD CORPORATION	6136 NE 87TH AVENUE	PORTLAND, OR 97220
3M099	PORTLAND SCREW COMPANY	6520 N BASIN AVE	PORTLAND, OR 97217
3U295	INTEL CORP.	OEM PRODUCTS AND SERVICES DIV~6505 W CHANDLER BLVD	CHANDLER, AZ 85226-3324
50356	TEAC AMERICA INC	7733 TELEGRAPH RD~PO BOX 750	MONTEBELLO, CA 90640-6537
55566	RAF ELECTRONIC HARDWARE INC	95 SILVERMINE ROAD	SEYMOUR, CT 06483
57924	BOURNS INC	INTEGRATED TECHNOLOGY DIV.~1400 NORTH 1000 WEST	LOGAN, UT 84321
5Y400	TRIAx METAL PRODUCTS INC	1880 SW MERLO DRIVE	BEAVERTON, OR 97006
61058	PANASONIC INDUSTRIAL CO ECG	M/S 7H-4~TWO PANASONIC WAY	SECAUCUS, NJ 07094
61935	SCHURTER INC	1016 CLEGG CT~PO BOX 750158	PETALUMA, CA 94975-0158
62786	HITACHI AMERICA LTD	HITACHI PLAZA~2000 SIERRA POINT PKWY	BRISBAINE, CA 94005
6Y440	MICRON SEMICONDUCTOR PRODUCTS INC	8000 S FEDERAL WAY~PO BOX 6	BOISE, ID 83707-0006
6Y440	MICRON SEMICONDUCTOR PRODUCTS INC	8000 S FEDERAL WAY~PO BOX 6	BOISE, ID 83707-0006
75915	LITTELFUSE INC	800 E NORTHWEST HWY	DES PLAINES, IL 60016-3049
76096	ELMA ELECTRONICS INC	41440 CHRISTY ST	FREMONT, CA 94538
78189	SHAKEPROOF	DIVISION OF ILLINOIS TOOL WORK~ST. CHARLES ROAD	ELGIN, IL 60120
7X318	KASO PLASTICS INC	5720-C NE 121ST AVE, STE 110	VANCOUVER, WA 98682
80009	TEKTRONIX INC	14150 SW KARL BRAUN DR~PO BOX 500	BEAVERTON, OR 97077-0001
S3109	FELLER U.S. CORPORATION	10B VAN DYKE AVENUE	NEW BRUNSWICK, NJ 08901
TK0588	UNIVERSAL PRECISION PRODUCT	1775 NW CORNELIUS PASS RD	HILLSBORO, OR 97124
TK0JL	CHROMA ATE INC	43 WU-CHUAN ROAD~WU-KU INDUSTRIAL PARK	WU-KU, TAIPEI HSIEN, TAIWAN CN
TK1373	PATELEC-CEM	10156 TORINO~VAICENTALLO~62/456	ITALY,
TK1943	NEILSEN MANUFACTURING INC	3501 PORTLAND RD NE	SALEM, OR 97303
TK2491	TEMPO RESEARCH CORP	1340 FLYNN RD	CAMARILLO, CA 93012
TK2548	XEROX CORPORATION	7431 EVERGREEN PARKWAY	HILLSBORO, OR 97124

Manufacturers cross index (cont.)

Mfr. code	Manufacturer	Address	City, state, zip code
TK2565	VISION PLASTICS INC	26000 SW PARKWAY CENTER DRIVE	WILSONVILLE, OR 97070
TK6065	ACLARYN PLASTICS	5405 SE ALEXANDER ST, STE L	HILLSBORO, OR 97123-8584
TK6106	R J SINGER INTERNATIONAL INC	4801 W JEFFERSON BLVD	LOS ANGELES, CA 90016
TK6121	TUMBLER CORP	4241 BUSINESS CENTER DR	FREMONT, CA 94538
TK6253	VOLEX INC	646 CARRIBEAN DR	SUNNYVALE, CA 94089-1108
TK6457	BEIJING MINGDAR TECHNOLOGY INC	RM 213 LUIPU BLDG~NO 5 XIAGUANG-LI~CHAOYANG DISTRICT	BEIJING, CN
TK6592	SOURIAU USA	25 GRUMBACHER ROAD	YORK, PA 17402

Replaceable Parts List

Fig. & index number	Tektronix part number	Serial no. effective	Serial no. discontinued	Qty	Name & description	Mfr. code	Mfr. part number
1-1	016-1441-00			1	ACCESSORY POUCH:BLACK CORDURA	TK6106	TK1441 BLACK CORDURA
-2	211-1050-00			12	SCREW,MACHINE:6-32 X 0.312 L,PNH,STL CAD PLT,T15	0KB01	OBD
-3	355-0298-00			4	STUD.SNAP:0.570 DIA,0.165 THK,STAINLESS STEEL	TK0588	355-0298-00
-4	348-1648-00			4	FOOT:REAR W/CORD WRAP,THERMO PLASTIC	7X318	348-1648-00
-5	211-0720-00			4	SCR,ASSEM WSHR:6-32 X 0.500,PNH,STL,CDPL,T-15 TORX	0KB01	ORDER BY DESCRIPTION
-6	161-0104-00			1	CABLE ASSEMBLY:3,18 AWG,98 L (STANDARD ACCESSORY)	S3109	ORDER BY DESCRIPTION
-7	159-0046-00			2	FUSE,CARTRIDGE:3AG,8A,250V,15SEC,CER	75915	ABC 8
	159-0381-00			2	FUSE,CARTRIDGE:5 X 20 MM,6.3A,250V,FAST BLOW,HIGH BREAKING CAPACITY,UL REC,SEMKO,	75915	GDA-6.3
-8	200-2264-00			2	CAP,FUSEHOLDER:3AG FUSES	61935	FEK 031 1666
	200-2265-00			2	CAP,FUSEHOLDER:5 X 20MM FUSES	61935	031.1663
-9	200-4522-00			1	COVER,RIGHT:PC ABS,13.645L X 8.250W,TEK BLUE,	7X318	2TEK1633
-10	212-0232-00			2	SCREW,MACHINE:8-32 X 1.125L, PNH,STL,BLACK OXIDE,T-20	0KB01	OBD
-11	367-0528-00			1	HANDLE,CARRYING:DUAL DUROMETER MOLDED,POLY-PROPYLENE,VINYL GRIP SECTION,	12136	367-0528-00
-12	407-4887-00			1	BRACKET:HANDLE BASE,PC/ABS ALLOY,BAYER BAYBLEND FR-110,TEK BLUE,	TK2565	407-4887-00
-13	200-4775-00			1	COVER,BOTTOM:RIGHT	TK1943	200-4775-00
	210-0164-00			1	RIVET,SOLID:0.163 OD x 0.415L,PANEL HEAD RANGE STYLE,NYLON	3M099	D30-0156-01
-14	200-4774-00			1	COVER ASSEM:BOTTOM,W/FEET,0.040 AL,VINYL CLAD (ITEMS 13 & 14)	1WNW 6	200-4774-00
-15	348-1515-00			1	FEET,CABINET:CABINET FEET,BLACK,GLASS-FIBRE REINFORCED PLASTIC,SET OF 4 FEET,W/SCREWS	76096	63-526
-16	101-0159-00			1	TRIM,INPUT:PLASTIC,BLACK,ABS	7X318	101-0159-00
-17	200-4653-00			1	COVER,FRONT:PROTECTIVE	7X318	200-4653-00
-18	335-1055-00			1	MARKER,IDENT:INTERCONNECT OVERLAY,W/ADHESIVE, CSA7404B	0KB05	335-1055-00
	335-1041-00			1	MARKER,IDENT:INTERCONNECT OVERLAY,W/ADHESIVE, TDS7704B, TDS7404B, TDS7254B, TDS7154B	0KB05	335-1041-00
-19	101-0151-01			1	TRIM,FRONT:PC ABS,17.200W X 8.450H,TEK SILVER GRAY	7X318	2TEK1648
	101-0165-00			1	TRIM,FRONT:PC ABS,17.200W X 8.450H,TEK SILVER GRAY OPTION FHD	7X318	101-0165-00
-20	260-2783-00			1	SWITCH,KEYPAD:ELASTOMERIC MAT,POWER BUTTON	22670	260-2783-00
-21	335-0990-00			1	MARKER,IDENT:FRONT LABEL,MKD CSA7404B	0KB05	335-0990-00
	335-0986-00			1	MARKER,IDENT:FRONT LABEL,MKD TDS7704B	0KB05	335-0986-00
	335-0988-00			1	MARKER,IDENT:MKD, TDS7404B, W/ADHESIVE,	0KB05	335-0988-00
	335-0987-00			1	MARKER,IDENT:MKD, TDS7254B, W/ADHESIVE	0KB05	335-0987-00

Replaceable Parts List (Cont.)

Fig. & index number	Tektronix part number	Serial no. effective	Serial no. discount'd	Qty	Name & description	Mfr. code	Mfr. part number
	335-0989-00			1	MARKER,IDENT.,MKD, TDS7154B W/ADHESIVE	0KB05	335-0989-00
-22	200-4825-00			1	COVER:TOP,LEFT,0.050 AL,	TK1943	200-4825-00
-23	200-4521-00			1	COVER,LEFT:PC ABS,13.654L X 8.250W,TEK BLUE,	7X318	2TEK1632
-24	200-4520-00			1	COVER,TOP:PC ABS,17.200L X 13.550W,TEK BLUE,	7X318	2TEK1637

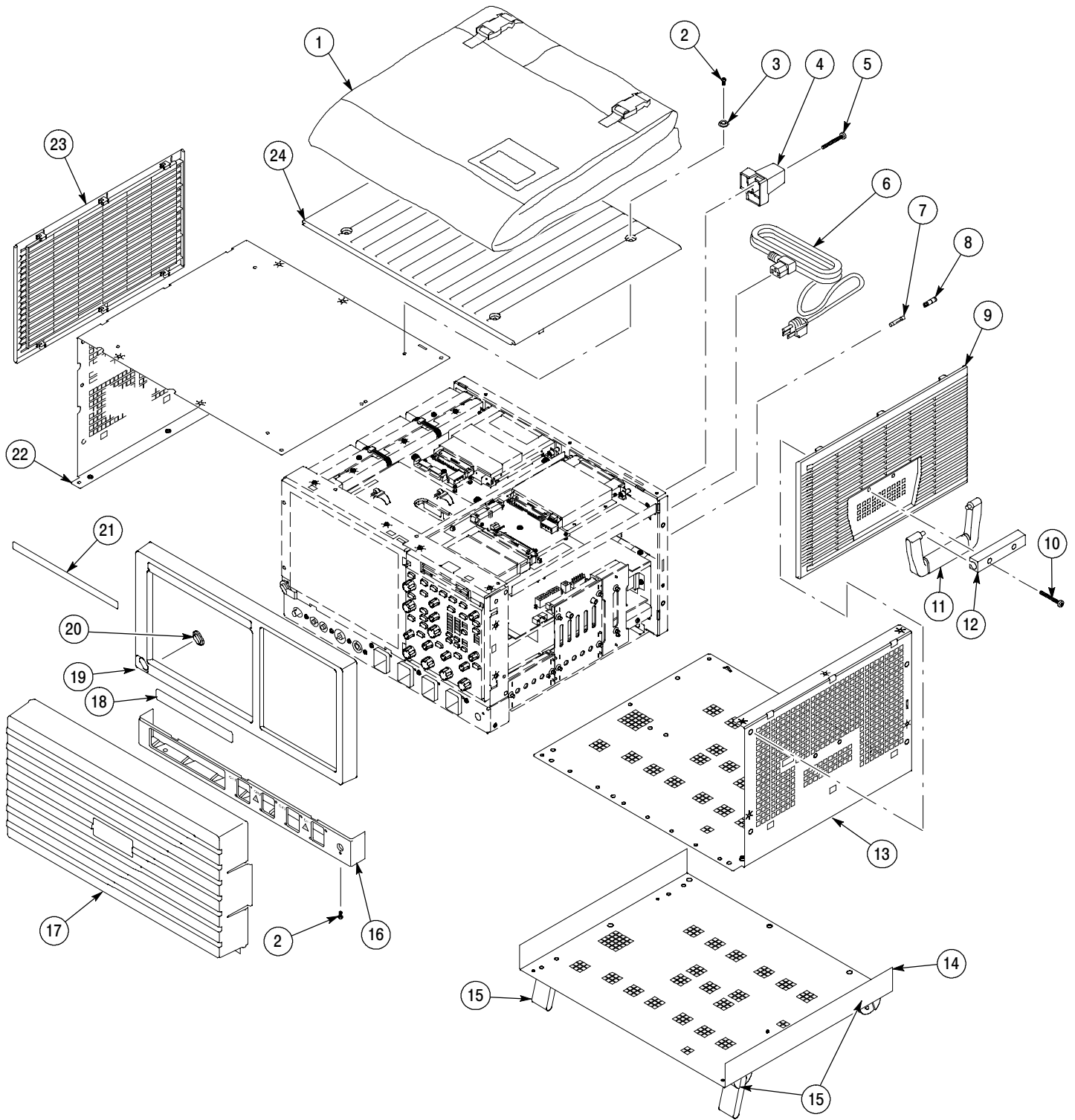


Figure 10-1: External parts

Replaceable Parts List

Fig. & index number	Tektronix part number	Serial no. effective	Serial no. discount'd	Qty	Name & description	Mfr. code	Mfr. part number
2-1	407-4943-00			1	BRACKET:CD-ROM	TK1943	407-4943-00
-2	679-5653-00			1	CIRCUIT BD ASSY:CDRW ADAPTER BRD	TK1943	679-5653-00
-3	211-0950-00			4	SCREW:M2 X.4X3L,PNH,PHL, STL NI PLT	0KB01	211-0950-00
-4	119-6839-00			1	DISK DRIVE:644MEG,CD-RW,16.6 MB/SEC,IDE/ATAPI	50356	CD-W28E-93
-5	200-4829-00			1	COVER,CD-ROM	060D9	200-4829-00
-6	211-1050-00			18	SCREW,MACHINE:6-32 X 0.312 L,PNH,STL CAD PLT,T15	0KB01	OBD
-7	679-5650-00			1	CKT BD ASSY:DRIVE ADAPTER BOARD,FLOPPY & HDD	7X318	679-5650-00
-8	650-4621-00			1	ASSEM:RHDD,W/O SW (ITEMS 10 THROUGH 15)	80009	650-4621-00
-9	407-4945-00			1	BRACKET, RHD TOP	7X318	407-4945-00
-10	200-4830-00			1	BRACKET:FRONT HDD TRIM,OPTION FHD ONLY	7X318	200-4830-00
-11	211-1177-00			2	SCREW,THUMB	80009	211-1177-00
-12	119-6832-00			1	DISK DRIVE:WINCHESTER,2.5 IN,40.0GB,SINGLE PLATTER	62786	08K0633
-13	679-5654-00			1	CKT BD ASSY:HDD ADAPTER BRD	7X318	679-5654-00
-14	407-4944-00			1	BRACKET, RHD BOTTOM	7X318	407-4944-00
-15	211-1081-00			4	SCREW	0KB01	211-1081-00
-16	441-2320-00			1	CHASSIS,DRIVE FRAME	7X318	441-2320-00
-17	679-4840-00			1	CKT BD SUBASSY:PRODUCTION PA BUS	80009	679-4840-00
-18	679-4477-00			1	CKT BD SUBASSY:REAR POWER DISTRIBUTION	80009	679-4477-00
-19	679-4476-00			1	CKT BD SUBASSY:FRONT POWER DISTRIBUTION	80009	679-4476-00
-20	361-1762-00			1	SPACER,SUPPORT:0.250 X 0.171 X 0.375,CKT BD,NYLON	06915	CPST-4-01
-21	614-1021-00			1	PANEL ASSEMBLY:FRONT (ITEMS 22 THROUGH 27)	80009	614-1021-00
-22	174-4872-00			1	CABLE ASSY:FLAT,USB FLOPPY	060D9	174-4872-00
-23	679-5704-00			1	CKT BD ASSY:FLOPPY FRIVE ADAPTER BRD	80009	679-5704-00
-24	407-4959-00			1	BRACKET:FLOPPY DRIVE,REAR	TK1943	407-4959-00
-25	407-4956-00			1	BRACKET:FLOPPY DRIVE,TOP	TK1943	407-4956-00
-26	119-6833-00			1	DISK DRIVE:FLOPPY,USB	80009	119-6833-00
-27	407-4957-00			1	BRACKET:FLOPPY DRIVE,BOTTOM	TK1943	407-4957-00
-28	211-1079-00			4	SCREW,MACHINE:2.6 X 0.45 MM,3.0L,PNH,STL,PHILLIPS	0KB01	10310188-0
-29	200-4828-00			1	BRACKET:REAR FLOPPY TRIM,OPTION FHD ONLY	TK1943	200-4828-00
-30	211-0738-00			2	SCREW,MACHINE:6.32 X 0.625,OPTION FHD ONLY	TK1943	211-0738-00
-31	174-4321-00			1	CABLE ASSY:FLAT FLEX,26 POS, 9.753L,FRONT PANEL (FP-PPC)	060D9	174-4321-00
-32	614-1021-00			1	ASSY:FRONT PANEL	57924	614-1021-00
-33	679-5795-00			1	CKT BD SUBASSY:FRONT PANEL	57924	679-5795-00
-34	260-2783-00			1	SWITCH,KEYPAD:ELASTOMERIC,FRONT PANEL		260-2783-00
-35	366-0821-00			7	KNOB,CAP:0.650 D,SILVER GRAY	22670	366-0821-00
-36	366-0820-00			7	KNOB,CAP:SILVER GRAY	22670	366-0820-00
-37	366-0819-00			1	KNOB,EPS:PUSH BUTTON,SILVER GRAY	22670	366-0819-00

Replaceable Parts List (Cont.)

Fig. & index number	Tektronix part number	Serial no. effective	Serial no. discontinued	Qty	Name & description	Mfr. code	Mfr. part number
-38	333-4461-00			1	SUBPANEL ASSY:OFFSET,BRACKET ASSY,W/LABEL	7X318	333-4461-00
-39	650-4623-00			1	MODULE ASSEMBLY:TOUCH PANEL	80009	650-4623-00
-40	259-0155-01			1	FLEX CIRCUIT:POWER SWITCH,W/LED	22670	259-0155-01
-41	650-4632-00			1	MODULE ASSY:LCD (INCLUDES ITEMS 42 THROUGH 44)	80009	650-4632-00
-42	174-4791-00			1	CABLE ASSEMBLY:FLAT FLEX,DISPLAY ADAPTER TO DISPLAY	1DM20	174-4791-00
-43	679-5497-00			1	CKT BD:DISPLAY ADAPTER	80009	679-5244-00
-44	174-4794-00			1	CABLE ASSY SP:RIBBON,DISPLAY ADAPTER TO INVERTER,CPR,28 AWG,9.5 L,1X5,0.049CTR	060D9	0BD
-45	174-4267-00			2	CA ASSY:FAN TRAY EXTENDER	060D9	174-4267-00
-46	437-0486-01			1	FAN ASSEMBLY:6 FANS	TK0JL	437-0486-01
-47	343-1681-00			1	CABLE,CLAMP;FLAT NYLON	TK1943	343-1681-00
-48	343-1682-00			1	CLAMP,HINGED FLAT CABLE,NYLON	TK1943	343-1682-00
-49	679-5705-00			1	CKT BD ASSY:IDE ADAPTER BRD,CD	7X318	679-5705-00

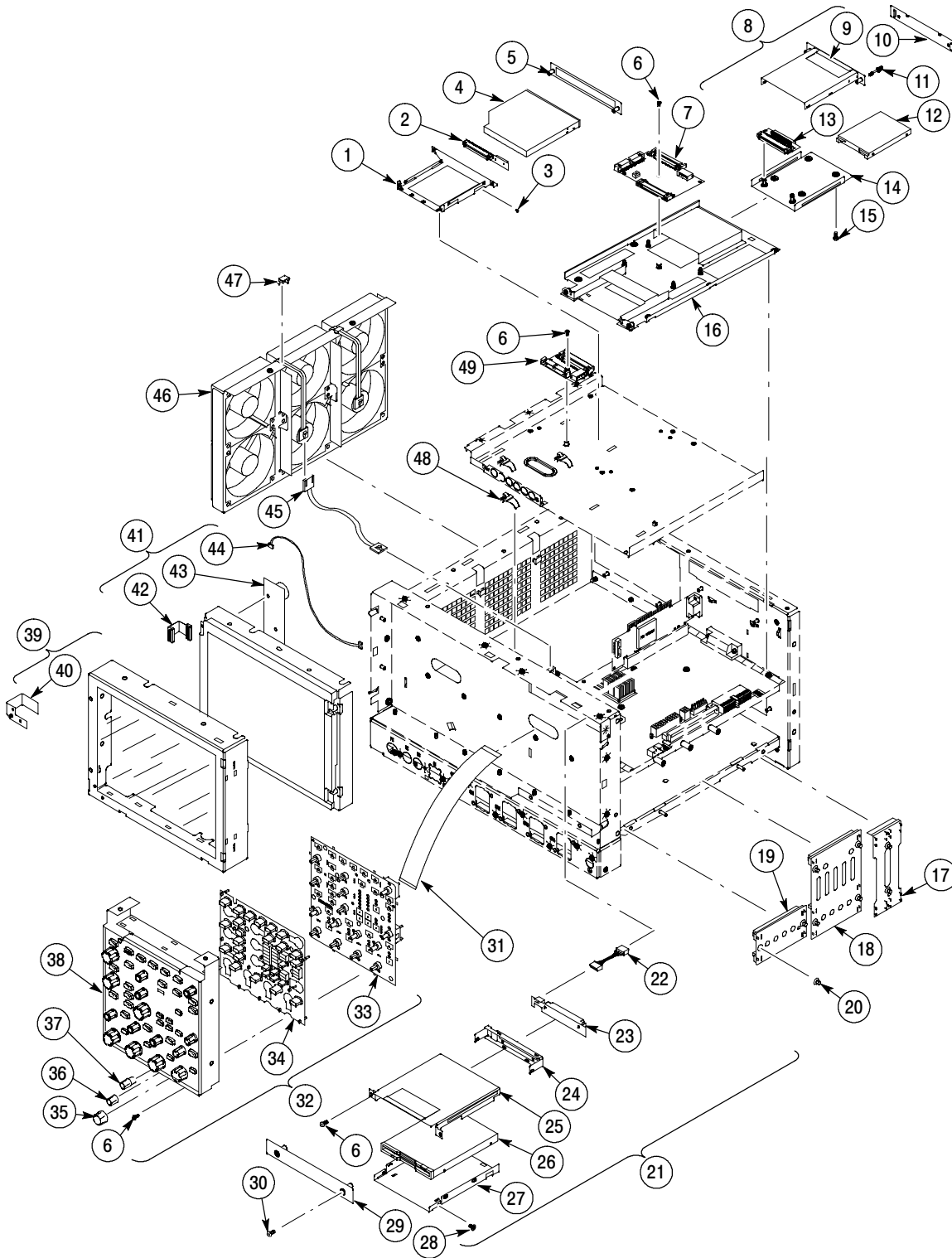


Figure 10-2: Front panel and drives

Replaceable Parts List

Fig. & index number	Tektronix part number	Serial no. effective	Serial no. discont'd	Qty	Name & description	Mfr. code	Mfr. part number
3-1	119-6890-00	B010001	B019999	1	IC,PROCESSOR:CMOS,MICROPROCESSOR,PENTIUM4,BOXED,W/FAN & HEATSINK	3U295	
	119-7035-00	B020000		1	IC,PROCESSOR:CMOS,MICROPROCESSOR,PENTIUM4,BOXED,W/FAN & HEATSINK	3U295	
-2	146-0096-00			1	BATTERY,DRY:3.0V,LITHIUM MANGANESE DIOXIDE,210MAH,20 X 3.2MM COINCELL,CR2032	61058	CR2032
-3	174-4807-00			1	CA ASSY:10POS ATX FRONT PANEL (ATX-PPC)	060D9	174-4807-00
-4	174-4808-00			1	CA ASSY:USB	060D9	174-4808-00
-5	211-0730-00			6	SCREW,MACHINE:6-32 X 0.375 L,PNH,STL CAD PLT,T15	0KB01	OBD
-6	050-3614-00	B010001	B019999	1	PARTS KIT; ATX BOARD, W/SW, W/CHASSIS W/Bridge TDS7704B	80009	039-3614-00
	050-3597-00	B010001	B019999	1	PARTS KIT; ATX BOARD, W/SW, W/CHASSIS W/Bridge CSA7404B, TDS7404B, TDS7254B, TDS7154B	80009	039-3597-00
	650-4689-00	B020100		1	ATX BOARD, WO/SW TDS7704B	80009	650-4689-00
	650-4690-00	B020100		1	ATX BOARD, WO/SW CSA7404B, TDS7404B, TDS7254B, TDS7154B	80009	650-4690-00
-7	441-2317-00	B010001	B019999	1	CHASSIS:UATX,FINISHED,AL	TK1943	441-2317-00
	441-2368-00	B020100		1	CHASSIS:UATX,FINISHED,AL	TK1943	441-2368-00
-8	214-3903-00			8	JACKSCREW:4-40 X 0.312	00779	554043-3
-9	213-1061-00			2	JACKSCREW:6-32 X 0.320 EXT THD,M3.5 X 0.6-6 INT THD X 0.215L,GPIB,BLACK	00779	554043-3
-10	211-1050-00			17	SCREW,MACHINE:6-32 X 0.312 L,PNH,STL CAD PLT,T15	0KB01	OBD
-11	679-5632-00	B010001	B019999	1	CKT BD SUBASSY:ATX XGA BRIDGE	80009	679-5632-00
	679-5632-01	B020100		1	CKT BD SUBASSY:ATX XGA BRIDGE	80009	679-5632-01
-12	Not Replaceable ¹			1	CIRCUIT BD ASSY:PROCESSOR,PPC	TK1943	679-5572-00
-13	131-1315-01			2	CONN,RF JACK:BNC,PNL,50 OHM,FEMALE,STR,PELTOLA PNL MNT,SILVER ALLOY,0.576 MLG X 0.366 TERMN	TK6592	28JR306-1
-14	441-2312-00			1	CHASSIS ASSY:MAIN	TK1943	441-2271-00
-15	119-5806-06			1	POWER SUPPLY:CUSTOM,AC-DC,375W,85-275VAC	26003	119-5806-06
-16	210-0465-00			1	NUT,PLAIN,HEX:0.25-32 X 0.375,BRS CD PL	0KB01	ORDER BY DESCRIPTION
-17	210-0046-00			1	WASHER,LOCK:0.261 ID,INTL,0.018 THK,STL CD PL	78189	1214-05-00-0541C
-18	136-0140-00			1	JACK,TIP:BANANA,CHARCOAL GRAY	TK6065	N/A
-19	156-9484-00			1	IC,MEMORY:PROCESSOR		
-20	174-4792-00			1	CA ASSY:RIBBON,DISPLAY ADAPTER TO PROCESSOR	060D9	174-4792-00
-21	174-4793-00			1	CA ASSY:RIBBON,DISPLAY ADAPTER TO BRIDGE	060D9	174-4793-00
-22	174-4806-00			1	CA ASSY,ATX DRIVE PWR (DRIVES,DRIVES,PPC)	7X318	174-4806-00
-23	343-1682-00			1	CLAMP,HINGED FLAT CABLE,NYLON	TK1943	343-1682-00
-24	131-6417-00			5	BRACKET, EMI CLIP	7X318	131-6417-00
-25	174-4798-00			1	CA ASSY:4POS 12V P4 PWR	060D9	174-4798-00
-26	174-4797-00			1	CA ASSY:20POS ATX PWR	060D9	174-4797-00

Replaceable Parts List (Cont.)

Fig. & index number	Tektronix part number	Serial no. effective	Serial no. discont'd	Qty	Name & description	Mfr. code	Mfr. part number
-27	343-1683-00			1	CLAMP,VERTICLE WIRE SADDLE,NYLON	TK1943	343-1683-00
-28	156-9442-00			1	IC,MEMORY:CMOS,DRAM;ATX		
-29	174-4906-00			2	CA ASSY:RND RIBBON,UDMA	060D9	174-4906-00

1 Replacement of this part must be performed by Tektronix

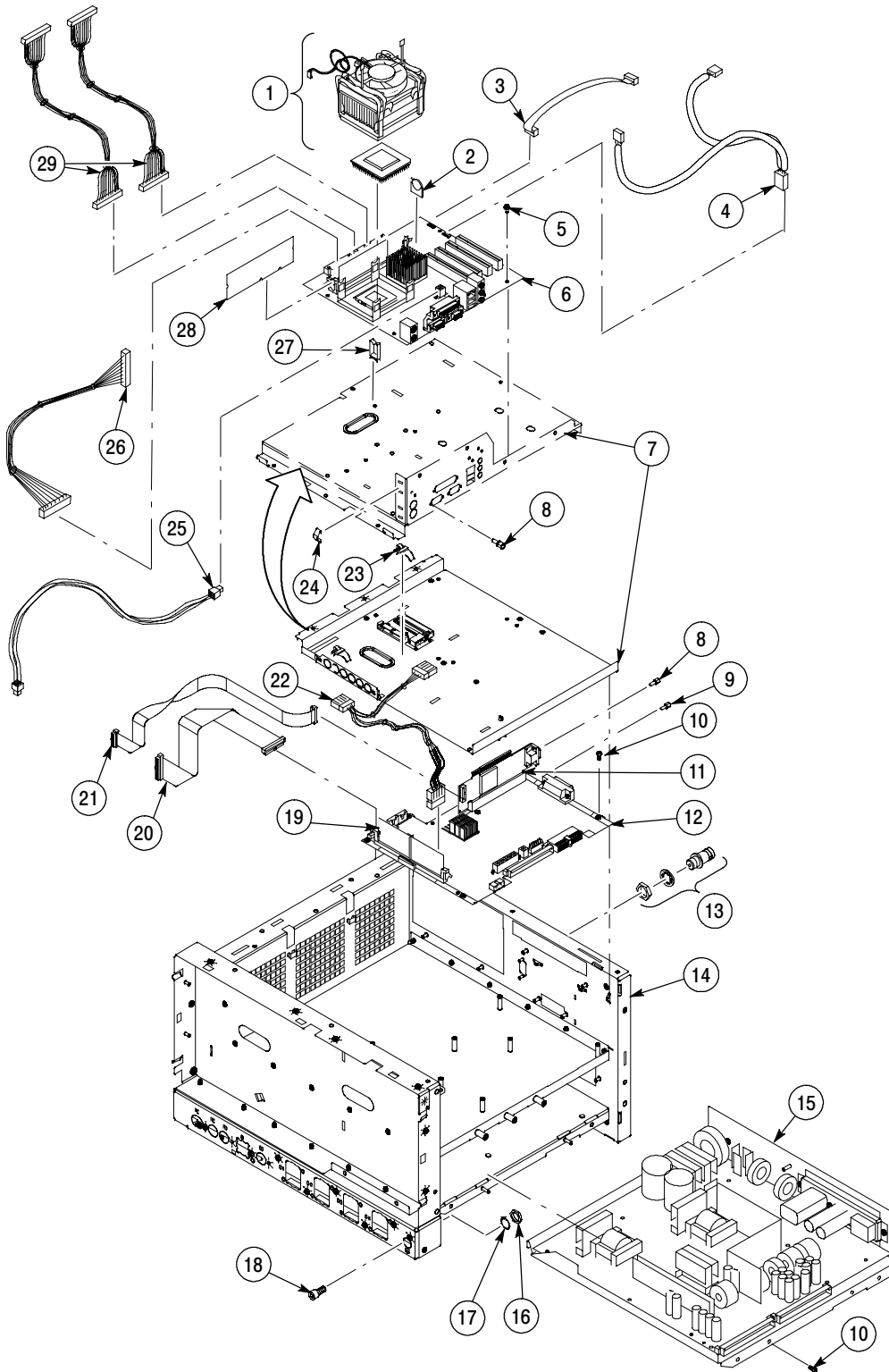


Figure 10-3: Power supply

Replaceable Parts List

Fig. & index number	Tektronix part number	Serial no. effective	Serial no. discount'd	Qty	Name & description	Mfr. code	Mfr. part number
4-1	Not Replaceable ¹			1	CIRCUIT BD ASSY:ACQUISITION & PROBE INTERFACE	80009	672-1687-54
-2	174-4502-00			1	CABLE ASSY:RIBBON 24 PIN,POGO TO ACQ BD	80009	174-4502-00
-3	174-0206-00			3	CABLE ASSY,RF:50 OHM COAX,11.25 L,PELTOLA X PELTOLA,(210-0800-00),RFP	060D9	ORDER BY DESCRIPTION
-4	174-2031-00			4	CABLE ASSY:COAX,RFP,50 OHM,6.5L,PELTOLA BOTH ENDS,210-0775-00 & 210-0800-00	060D9	174-2031-00
-5	174-4634-00			1	CA ASSY, SP:RIBBON,IDC,8,26 AWG,3.5 L,DUAL ENDED,FEMALE,STR,1X8,0.100 CTR,30 GOLD	060D9	174-4634-00
-6	348-1719-00			1	GASKET,SHIELD:5.250 X 1.0,URETHANE FOAM,W/ACRYLIC ADHESIVE,ECCOSORB LS26/SS-3	2K262	348-1719-00
-7	131-1315-01			4	CONN,RF JACK:BNC,PNL,50 OHM,FEMALE,STR,PELTOLA PNL MNT,SILVER ALLOY,0.576 MLG X 0.366 TERMN	TK6592	28JR306-1
-8	426-2609-00			4	RECEPTACLE:PROBE ASSEMBLY	80009	426-2609-00
-9	679-5236-00			1	CIRCUIT BD ASSY:PROBE INTERFACE POGO	80009	679-5236-00
-10	174-4517-00			1	CABLE, ASSY:PELTOLA,16.5L,WF	80009	174-4517-00

¹ Replacement of this part must be performed by Tektronix

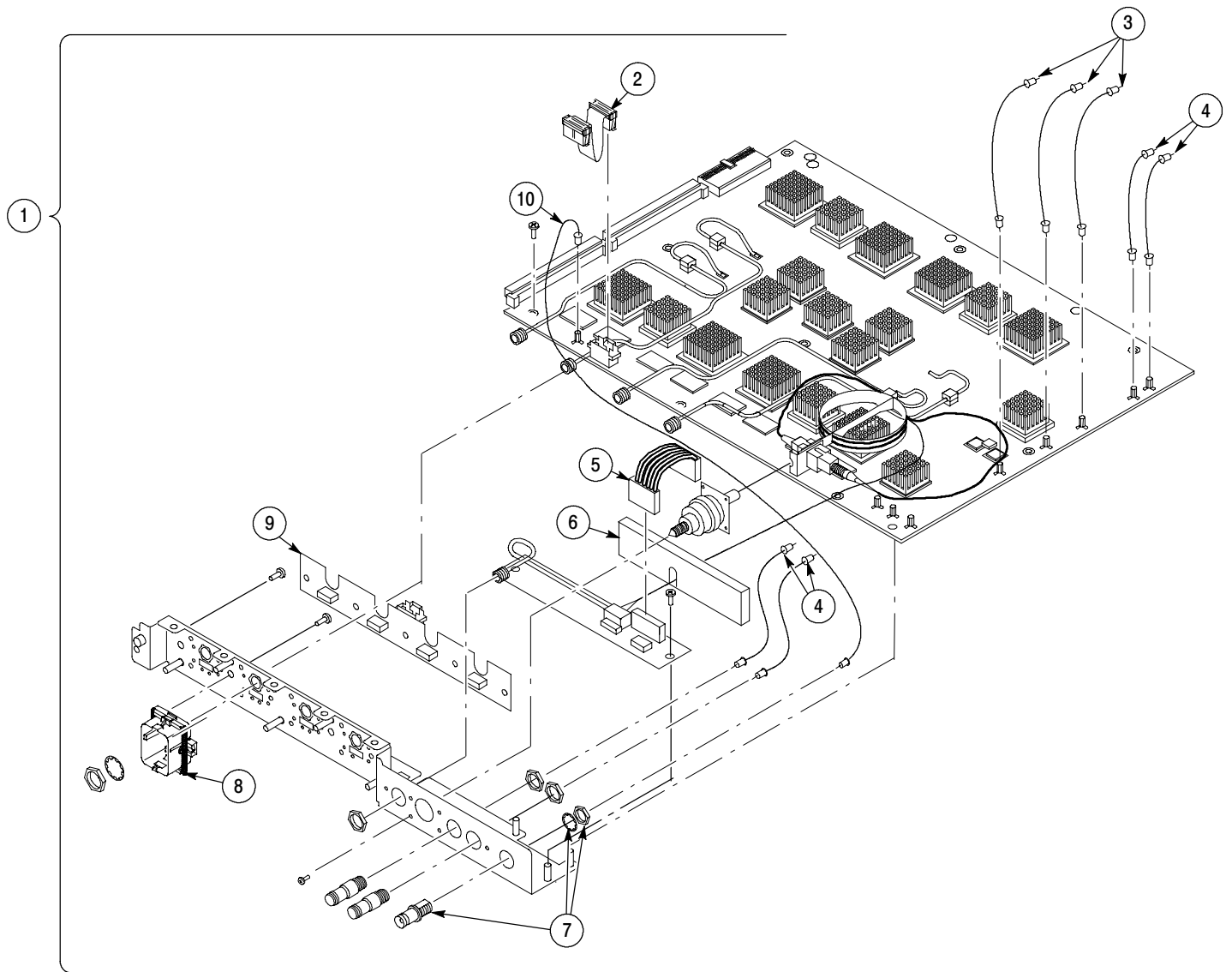


Figure 10-4: Acquisition assembly, CSA7000B Series

Replaceable Parts List

Fig. & index number	Tektronix part number	Serial no. effective	Serial no. discont'd	Qty	Name & description	Mfr. code	Mfr. part number
5-1	Not Replaceable ¹			1	CIRCUIT BD ASSY:ACQUISITION & PROBE INTERFACE	80009	672-1686-53 672-1687-54 672-1718-54 672-1719-54
-2	174-4502-00			1	CABLE ASSY:RIBBON 24 PIN,POGO TO ACQ BD	80009	174-4502-00
-3	174-4517-00			1	CABLE, ASSY:PELTOLA,16.5L,WF	80009	174-4517-00
-4	174-2031-00			2	CABLE ASSY:COAX,RFP,50 OHM,6.5L,PELTOLA BOTH ENDS,TDS7404B,TDS7254,TDS7154	060D9	174-2031-00
	174-0206-00			2	CABLE ASSY,RF:50 OHM COAX,11.25 L,PELTOLA X PELTOLA,(210-0800-00),RFP,TDS7704B	060D9	ORDER BY DESCRIPTION
-5	174-0206-00			2	CABLE ASSY,RF:50 OHM COAX,11.25 L,PELTOLA X PELTOLA,(210-0800-00),RFP	060D9	ORDER BY DESCRIPTION
-6	119-6562-00			1	COMBO ASSEMBLY:BBO SUBASSY,FRONT PANEL, INCLUDES ITEMS 6 THROUGH 9	80009	119-6562-00
-7	679-5236-00			1	CIRCUIT BD ASSY:PROBE INTERFACE POGO,	80009	679-5236-00
-8	407-4688-00			1	BRACKET:ACQUISITION,4 BMA AND 4 BNC,14.955 X 1.575,AL	TK1943	407-4688-00
-9	426-2609-00			4	RECEPTACLE:PROBE ASSEMBLY	OJR05	426-2609-00
-10	131-1315-01			4	CONN,RF JACK:BNC,PNL,50 OHM,FEMALE,STR,PELTOLA/PNL MNT,SILVER ALLOY,0.576 MLG X 0.366 TERMN,	TK6592	28JR306-1
-11	174-4517-00			1	CABLE, ASSY:PELTOLA,16.5L,WF	80009	174-4517-00

¹ Replacement of this part must be performed by Tektronix

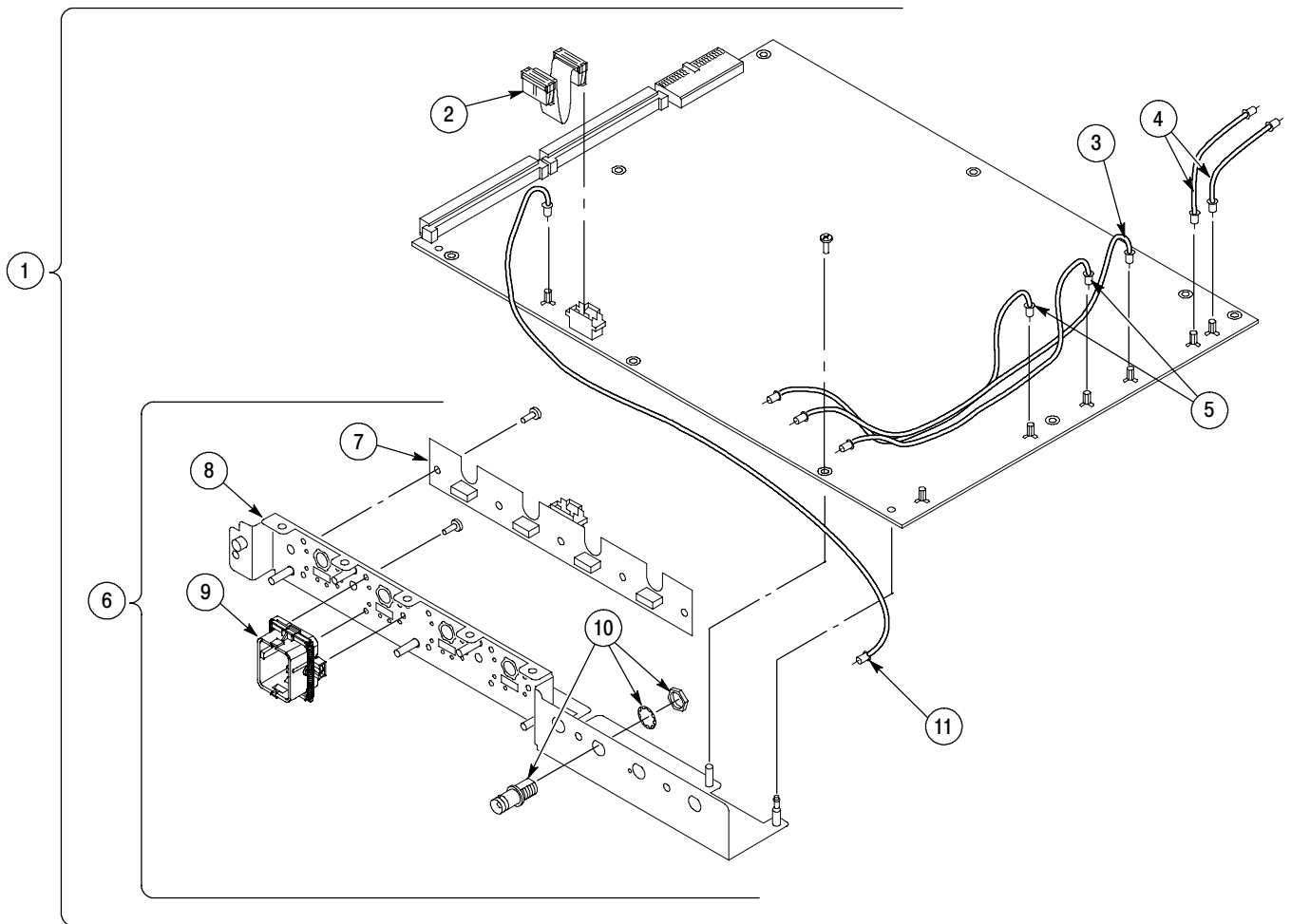


Figure 10-5: Acquisition assembly, TDS7000B Series

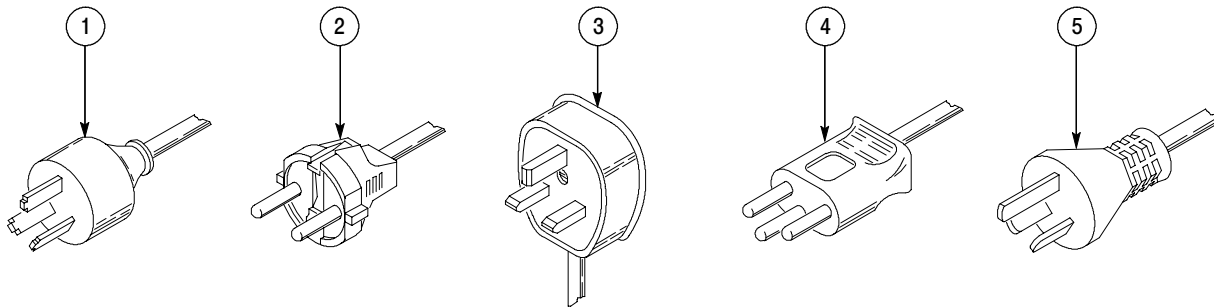


Figure 10-6: Accessories

Replaceable Parts List

Fig. & index number	Tektronix part number	Serial no. effective	Serial no. discont'd	Qty	Name & description	Mfr. code	Mfr. part number
STANDARD ACCESSORIES							
	020-2368-00			1	REFERENCE KIT:LANGUAGE MANUALS,TDS7404	80009	020-2368-00
	071-0879-00			1	MANUAL,TECH:USER,CSA7404B	TK2548	071-0879-00
	071-0880-00			1	MANUAL,TECH:REFERENCE,ENGLISH,CSA7404B	TK2548	071-0880-00
	071-0898-00			1	MANUAL,TECH:SERVICE CSA7404B	TK2548	071-0898-00
6-1	161-0104-05			1	CA ASSY,PWR:3,1.0MM SQ,250V/10A,2.5 METER (OPTION A3 - AUSTRALIA)	TK1373	161-0104-05
-2	161-0104-06			1	CA ASSY,PWR:3,1.0MM SQ,250V/10A,2.5 METER (OPTION A1 - EUROPEAN)	TK1373	ORDER BY DESCRIPTION
-3	161-0104-07			1	CA ASSY,PWR:3,1.0MM SQ,240V/10A,2.5 METER,FUSED (OPTION A2 - UNITED KINGDOM)	TK2541	ORDER BY DESCRIPTION
-4	161-0167-00			1	CA ASSY,PWR:3,0.75MM SQ,250V/10A,2.5 METER (OPTION A5 - SWITZERLAND)	S3109	ORDER BY DESCRIPTION
-5	161-0306-00			1	CA ASSY,PWR:3,1.0MM SQ,250V/10A,2.5 METER (OPTION A10 - CHINA)	TK6253	92-2637-250BKH
	-----			1	CABLE ASSY,PWER,;3,18 AWG,92 L (STANDARD CABLE - SEE FIG 10-1-6)	S3109	ORDER BY DESCRIPTION
	-----			1	POUCH, PLASTIC:POUCH (STANDARD CABLE - SEE FIG 10-1-1)	TK6106	TK1441 BLACK CORDURA
	020-2491-00	B010001	B019999	1	SW KIT:OS RESTORE,WIN2K RESTORE CD	80009	020-2491-00
	020-2570-00	B020100		1	SW KIT:OS RESTORE,WINXP RESTORE CD Ashland	80009	020-2570-00
	020-2569-00	B020100		1	SW KIT:OS RESTORE,WINXP RESTORE CD LaCrosse	80009	020-2569-00
	020-2519-xx			1	MANUAL SET:REFERENCES,ALL LANGUAGES	80009	020-2519-xx
	071-1226-xx			1	MANUAL,TECH:USER	TK2548	071-1226-xx
	071-1323-xx			1	MANUAL,TECH:REFERENCE,ENGLISH	TK2548	071-1323-xx
	119-6936-00			1	MOUSE:OPTICAL MOUSE	989644	D66-00029

Replaceable Parts List (Cont.)

Fig. & index number	Tektronix part number	Serial no. effective	Serial no. discontinued	Qty	Name & description	Mfr. code	Mfr. part number
	067-0405-02			1	FIXTURE,CAL:PROBE CAL DESKEW, CSA7404B, TDS7404B, TDS7254B, TDS7154B	80009	067-0405-02
	067-0484-02			1	FIXTURE,CAL:PROBE CAL DESKEW, TDS7704B	80009	067-0484-02
	020-2449-02			1	ACCESSORY KIT:OSCILLOSCOPE ANALYSIS & CONNETIVITY MADE EASY MANUAL W/SW	TK2548	020-2449-02
	020-2513-00			1	ACCESSORY KIT:GETTING STARTED WITH OPEN CHOICE SOLUTIONS W/SW	TK2548	020-2513-00
	020-2450-12			1	ACCESSORY KIT:OPTIONAL APPLICATIONS W/SW	TK2548	020-2450-12
	063-3632-03			1	SOFTWARE PKG:PRODUCT SOFTWARE,V2.2.0,CD, CSA7404B, TDS7404B, TDS7254B, TDS7154B	TK2548	063-3632-00
	063-3633-03			1	SOFTWARE PKG:PRODUCT SOFTWARE,V2.2.0,CD, TDS7704B	TK2548	063-3633-03
	200-4104-00			1	CAP,DUST:BLACK, CSA7404B	TK2491	UT11-01
	020-2494-00			1	CLEANING KIT:FIBER OPTIC, CSA7404B	80009	020-2494-00
					OPTIONAL ACCESSORIES		
	118-9402-00			1	KEYBOARD:PS-2 MINI	01963	G84-4100PRAUS
	071-1227-01			1	MANUAL TECH:SERVICE	TK2548	071-1227-00
	016-1790-05			1	RACKMOUNT KIT	5Y400	016-1790-05

